

ASSEMBLY and INSTALLATION INSTRUCTIONS



Air Booster Box Kit Kit Part No. 500-23869

View these instructions online at www.lbwhite.com

Kit Contents:

Description	Quantity
Instructions	1
Air Booster Box	1
Duct Adapter with Tabs	1
Saddle Clamp	1

Tools required:

-- Standard Screwdriver

ATTENTION:

Installation of booster box kit to heater requires duct kit part number 500-26346 (gray) or 26347 (white). Both are optional accessories, ordered separately, and not included in the air distribution kit.

A. Installing Duct Adapter

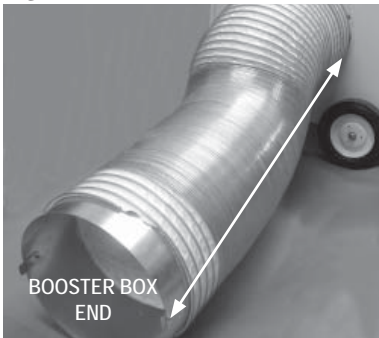
1. Fit the duct adapter with tabs into outlet of duct from heater. See Fig. 1.

To prevent duct twist, tabs of adapter to booster box are aligned to tabs of adapter at heater. See Fig. 2.

FIG. 1



FIG. 2



2. Position the saddle clamp around the duct. Saddle lays over one of the coils on the duct.
See Fig. 1. Tighten the clamp screw securely.

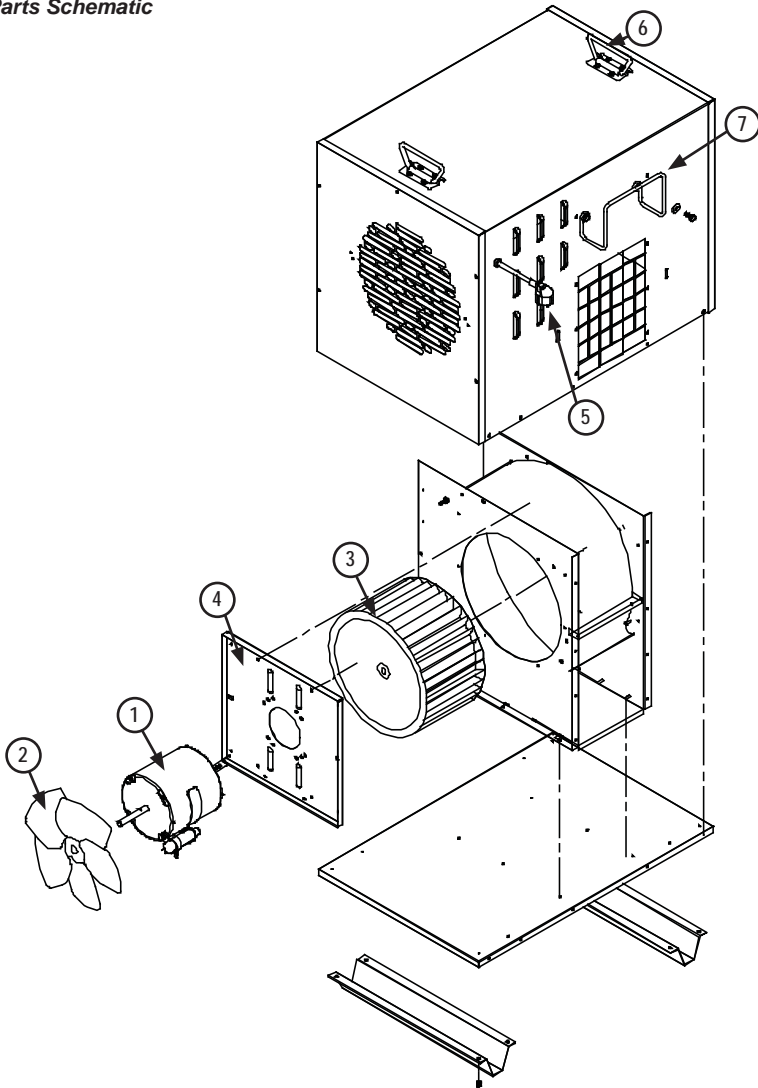
FIG. 3



D. Completion

1. Ensure duct is securely attached to heater and booster box.
2. Connect the booster box power cord to electrical socket at heater. Do not start the heater at this time.
3. Refer to parts list and schematic on back of this sheet when ordering replacement parts for the air booster box.

Parts Schematic



Item	Description	Part #
1	Motor	573780
2	Fan Blade	573781
3	Fan Wheel	570481
4	Mount, Motor	570251
5	Power Cord	573782
6	Handles with Screws	571628
7	Hanger with Hardware	571619

Service

Contact your local L.B. White dealer for replacement parts and service. You may also call the L.B. White Company, LLC at U.S. & Canada: 1-800-345-7200, Overseas: 001-608-783-5691 assistance, or email us at customerservice@lbwhite.com.

Be sure that you have your heater model number and configuration number when calling.



**WORLD PROVIDER - INNOVATIVE
HEATING SOLUTIONS**

411 Mason Street, Onalaska, WI 54650

800-345-7200 • 608-783-5691

608-783-6115 (fax)

www.lbwhite.com