

ASSEMBLY and INSTALLATION INSTRUCTIONS



Gas Conversion Kit Individual / Zone Controlled Radiant Brooders

View these instructions online at www.lbwhite.com

Qualifications for installation:

- You must be able to read and understand these instructions.
- You must have sufficient training and experience to install the kit.
- You must be able to test the brooder for proper operation.

Tools required:

- Phillips- head screwdriver
- Adjustable wrench
- Hand held butane torch

Discussion:

These instructions are specific to radiant brooders models I-17 with D design sequence level in the model number (example: I17P11000D). Refer to the brooder's clearance and data plate disk.

Initial Preparation:

1. Ensure 5 PSIG is supplied to all brooders. Appropriate regulators must be installed if necessary.
2. Close the fuel supply valve and allow all heaters to cool.
3. Remove the brooder's filter.
4. Disconnect the brooder's gas hose.
5. Clean the brooder and its filter. Refer to the brooder's owner's manual for instructions.

Conversion:

1. Disassemble the brooder as shown in Fig. 1 (Individual controlled brooder) or Fig. 2 (Zone controlled brooder)

FIG. 1 (Individual Controlled)

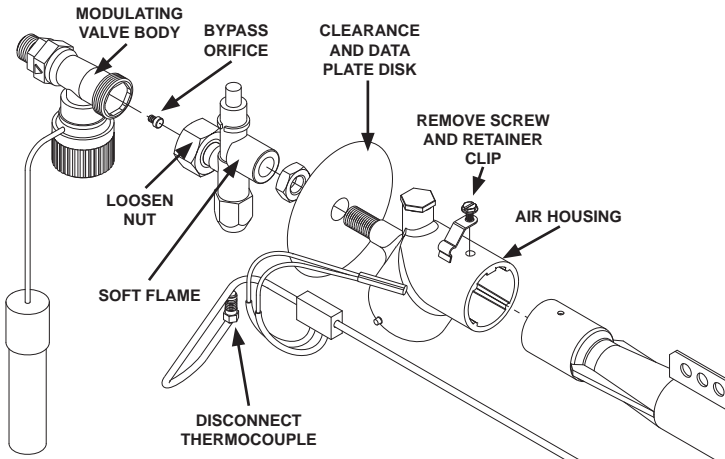
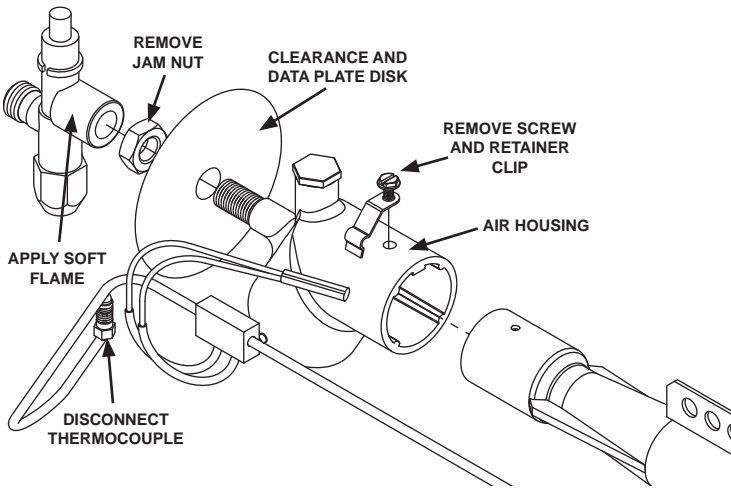
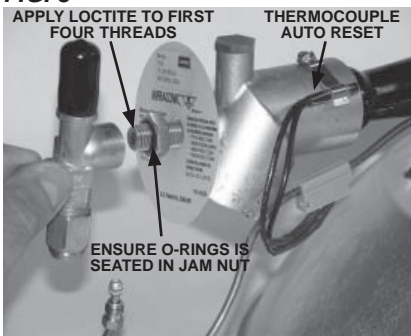


FIG. 2 (Zone Controlled)

2. Back the jam nut half - way down the threads of the original air housing assembly.
3. Using the torch, apply a soft flame to the safety valve where it threads onto the air housing, sufficiently to soften the thread locking compound used in assembly of the brooder.
4. Replace the air housing with the similar component from the kit.
 - Individual control heaters: replace the by-pass orifice located in the modulating valve body.
5. Assemble the replacement air housing onto the brooder. See Fig. 3 and refer to the following:
 - a. Back the kit's jam nut half-way down the replacement air housing's threads.
 - b. Apply a couple drops of Loctite thread sealant from the kit to the air housing's threads.
 - c. Thread the safety control valve onto the air housing threads at least four full turns, and as needed to allow the safety control to be installed in an upright position.
 - d. Thread the jam nut hand tight against the body of the safety control valve and secure in place with a wrench.

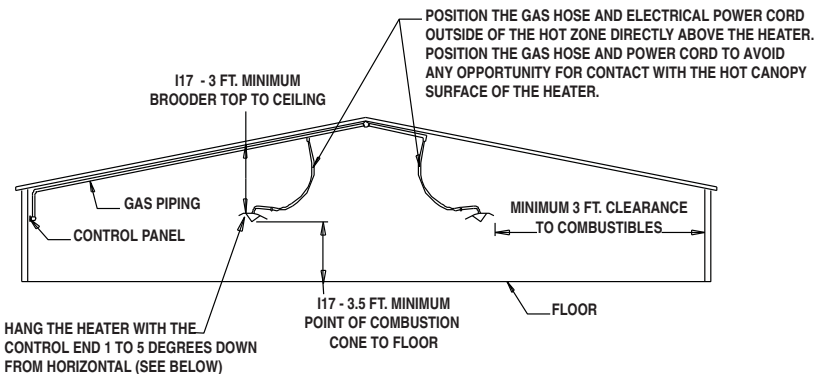
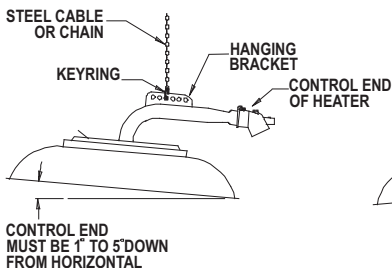
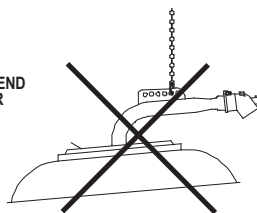
FIG. 3

Conversion:

1. Reconnect the gas hose to the brooder, tightening it securely.
2. Ensure proper hanging configuration. See the back of this instruction sheet.
3. Open the fuel supply valve and leak check using approved leak detectors.
4. Light the brooders and check for proper operation.
5. Set the second stage regulator to ensure proper gas supply pressure to all heaters in the zone. Check pressure at maximum and minimum heat output. Refer to Clearance and Data Plate disk on brooder or to zone panel.
6. When steps 1 – 5 are complete, set the temperature control on the zone panel or on individual control brooders to desired setting.
7. Keep these instructions for future use.

ATTENTION:

- Ensure the brooder is hung so its control is positioned 10 to 50 down from horizontal after the gas supply hose is attached. This allows proper venting of the brooder and prevents potential heat damage to the filter.
- Repositioning of the hanging brackets key ring may be required to achieve proper hanging position.

Installation Layout for Safe Clearances:**INSTALLATION LAYOUT
FOR SAFE CLEARANCES****THIS****NOT THIS**

Service

Contact your local L.B. White dealer for replacement parts and service. You may also call the L.B. White Co., Inc. at U.S. & Canada: 1-800-345-7200, Overseas: 001-608-783-5691 assistance, or email us at customerservice@lbwhite.com.

Be sure that you have your heater model number and configuration number when calling.



**WORLD PROVIDER - INNOVATIVE
HEATING SOLUTIONS**

411 Mason Street, Onalaska, WI 54650

800-345-7200 • 608-783-5691

608-783-6115 (fax)

www.lbwhite.com