



Premier Ductable Heaters

CS350 2.0 350,000 Btuh / 102.6 kW
Dual Fuel

View this manual online at www.lbwhite.com

Attention

This heater has been tested and evaluated by the OMNI Test Laboratories in accordance with the requirements of Standard ANSI Z83.7•CSA 2.14 and is listed and approved as a ductable direct gas- fired forced-air construction heater with application for the temporary heating of buildings under construction, alteration, or repair. Additionally, this heater has been application reviewed and approved by the OMNI Test Laboratories for U.S.and Canadian Tent Heating Applications with temporary human occupancy. **CHECK WITH YOUR LOCAL FIRE SAFETY AUTHORITY, YOUR LOCAL FUEL GAS SUPPLIER, OR THE L.B. WHITE COMPANY IF YOU HAVE QUESTIONS REGARDING APPLICATIONS.**

www.lbwhite.com



Report No.: 0545GH007S

Congratulations!

You have purchased the finest circulating heater available. Your new L.B. White heater incorporates the benefits from the most experienced manufacturer of heating products using state-of-the-art technology.

We, at L.B. White, thank you for your confidence in our products and welcome any suggestions or comments you may have...contact us at 1-(800)-345-7200, or email us at customerservice@lbwhite.com.

NOTICE

The herein installation instructions are the L.B. White Co. LLC suggested recommendations and guidelines for temporary or permanent installation of the L.B. White Co. LLC heaters. Local, state, and electrical and safety code requirements supersede these guidelines. In the absence of local codes, see page 7 for i nstallation in the U.S. or Canada.

**SEE ASSEMBLY
INSTRUCTIONS
INSIDE**

**Please refer to important
elevation information on
inside cover.**



SCAN THIS

with your smartphone or visit <http://goo.gl/5j21G> to view maintenance videos for L.B.White heaters.*

* Requires an app like QR Droid for Android or for iPhone

WORLD PROVIDER - INNOVATIVE CLIMATE SOLUTIONS

411 Mason Street, Onalaska, WI 54650 • 800-345-7200 • 608-783-5691 • 608-783-6115 (fax) • www.lbwhite.com

TABLE OF CONTENTS

Heater Specifications.....	4
General Information.....	5
Safety Precautions.....	5
General Installation Instructions.....	8
L.B. White LINK.....	10
Connecting Regulator.....	11
Start-Up Instructions.....	14
Shut-Down Instructions.....	15
Cleaning Instructions.....	16
Maintenance Instructions.....	16
Service Instructions.....	17
Gas Pressure Checks.....	23
Troubleshooting Guide.....	25
Electrical Connection and Ladder Diagram.....	32
Parts Schematic and Parts List.....	33
Warranty Policy.....	38

WARNING

Standard products are manufactured to operate at optimum efficiency at elevations between 0 and 2000 ft. (0-610 m) above sea level.

If operated at higher elevations the product will not function correctly and may function in an unsafe nature.

Products providing proper operation for alternate elevations may be available.

If you require a high elevation product, did not specify when ordering, and/or the box this unit came in does not have an alternate altitude designation sticker please contact technical support.

GENERAL HAZARD WARNING

- FAILURE TO COMPLY WITH THE PRECAUTIONS AND INSTRUCTIONS PROVIDED WITH THIS HEATER CAN RESULT IN:
 - DEATH
 - SERIOUS BODILY INJURY OR BURNS
 - PROPERTY DAMAGE OR LOSS FROM FIRE OR EXPLOSION
 - ASPHYXIATION DUE TO LACK OF ADEQUATE AIR SUPPLY OR CARBON MONOXIDE POISONING
 - ELECTRICAL SHOCK
- READ THIS OWNER'S MANUAL BEFORE INSTALLING OR USING THIS PRODUCT.
- ONLY PERSONS WHO CAN READ, UNDERSTAND, AND FOLLOW THE INSTRUCTIONS SHOULD USE OR SERVICE THIS HEATER.
- SAVE THIS OWNER'S MANUAL FOR FUTURE USE AND REFERENCE.
- OWNER'S MANUALS AND REPLACEMENT LABELS ARE AVAILABLE AT NO CHARGE. SEE WEBSITE, OR FOR ASSISTANCE, CONTACT L.B. WHITE AT 1-800-345-7200.

WARNING

- PROPER GAS SUPPLY PRESSURE MUST BE PROVIDED TO THE INLET OF THE HEATER.
- REFER TO DATA PLATE FOR PROPER GAS SUPPLY PRESSURE.
- GAS PRESSURE IN EXCESS OF THE MAXIMUM INLET PRESSURE SPECIFIED AT THE HEATER INLET CAN CAUSE FIRES OR EXPLOSIONS.
- FIRES OR EXPLOSIONS CAN LEAD TO SERIOUS INJURY, DEATH, OR BUILDING DAMAGE.
- GAS PRESSURE BELOW THE MINIMUM INLET PRESSURE SPECIFIED AT THE HEATER INLET MAY CAUSE IMPROPER COMBUSTION.
- IMPROPER COMBUSTION CAN LEAD TO ASPHYXIATION OR CARBON MONOXIDE POISONING AND THEREFORE SERIOUS INJURY OR DEATH.

WARNING FIRE AND EXPLOSION HAZARD

- NOT FOR HOME OR RECREATIONAL VEHICLE USE.
- INSTALLATION OF THIS HEATER IN A HOME OR RECREATIONAL VEHICLE MAY RESULT IN A FIRE OR EXPLOSION.
- FIRE OR EXPLOSIONS CAN CAUSE PROPERTY DAMAGE OR LOSS OF LIFE.

WARNING FIRE, BURN, INHALATION, AND EXPLOSION HAZARD

- KEEP SOLID COMBUSTIBLES A SAFE DISTANCE AWAY FROM THE HEATER.
- SOLID COMBUSTIBLES INCLUDE WOOD, PAPER, OR PLASTIC PRODUCTS, BUILDING MATERIALS AND DUST.
- DO NOT USE THE HEATER IN SPACES WHICH CONTAIN OR MAY CONTAIN VOLATILE OR AIRBORNE COMBUSTIBLES.
- VOLATILE OR AIRBORNE COMBUSTIBLES INCLUDE GASOLINE, SOLVENTS, PAINT THINNER, DUST PARTICLES OR UNKNOWN CHEMICALS.
- FAILURE TO FOLLOW THESE INSTRUCTIONS MAY RESULT IN A FIRE OR EXPLOSION.
- FIRE OR EXPLOSIONS CAN LEAD TO PROPERTY DAMAGE, PERSONAL INJURY OR DEATH.

FOR YOUR SAFETY

Do not store or use gasoline or other flammable vapors and liquids in the vicinity of this or any other appliance.

FOR YOUR SAFETY

If you smell gas:

1. Open windows.
2. Don't touch electrical switches.
3. Extinguish any open flame.
4. Immediately call your gas supplier.

WARNING

Cancer and reproductive harm.
See www.P65Warnings.ca.gov.

Specifications

CS350 2.0			
Fuel Type		Propane Gas	Natural Gas
Maximum Input (Btuh/kW)		350,000 / 102.6	
Inlet Gas Supply Pressure Acceptable at the Inlet of the Heater for Purpose of Input Adjustment (Inches W.C./kPa)	MAX	13.5 / 3.36	
	MIN	11.0 / 2.74	
Burner Manifold Pressure (Inches W.C./kPa)		8.0 / 2.0	
Fuel Consumption Per Hour	MAX	16.2 lbs. / 7.34 kg	350 cu.ft./9.9m ³
Motor Characteristics		Ball Bearing 1 H.P. / 745.7 Watts / 1725 RPM	
Blower Speed		915 RPM	
Electrical Supply (Volts/Hz/Phase)		120 / 60 / 1	
Amp Draw	Starting	25.0	
	Continuous	11.0	
Dimensions L x W x H (Inches/cm)		48 x 22.25 x 32.75 / 122 x 56.5 x 83.2	
Minimum Safe Distances from Nearest Combustible Material (Feet / Meters)	Top	1 / 0.3	
	Sides	1 / 0.3	
	Back	1 / 0.3	
	Blower Outlet	6 / 1.83	
	Gas Supply	Propane - U.S.: 6/1.83, Canada: 10/3.04 Natural Gas - N/A	
Minimum Ambient Temperature		-20°F / -29°C	
Unit Weight (lbs. / kg)		256 / 116.1	

General Information

This Owner's Manual includes accessories commonly used on this heater. These accessories must be ordered separately. When calling for technical service assistance, or for other specific information, **always** have model number and serial number available. This information is contained on the dataplate.

This manual will instruct you in the operation and care of your unit. Have your installer review this manual with you so that you fully understand the heater and how it functions.

Contact your local L.B. White distributor or the L.B. White Company, LLC for assistance, or if you have any questions about the use of the equipment or its application. The L.B. White Company, LLC has a policy of continuous product improvement. It reserves the right to change specifications and design without notice.

Safety Precautions



WARNING

Air Quality Hazard

- Do not use this heater for heating human living quarters.
- Use of direct-fired heaters in the construction environment can result in exposure to levels of CO, CO₂, and NO₂ considered to be hazardous to health and potentially life threatening.
- Do not use in unventilated areas.
- Know the signs of CO and CO₂ poisoning
 - Headaches, stinging eyes.
 - Dizziness, disorientation.
 - Difficulty breathing, feeling of being suffocated.
- Proper ventilation air exchange (OSHA 29 CFR 1926.57) to support combustions and maintain acceptable air quality shall be provided in accordance with OSHA 29 CFR part 1926.154, ANSI A10.10 Safety Requirements for Temporary and Portable Space Heating Devices and Equipment used in the Construction Industry or the Natural Gas and Propane Installation Codes CSA B149.1.
 - Periodically monitor levels of CO, CO₂, and NO₂ existing at the construction site – at the minimum at the start of the shift and after 4 hours.
 - Provide ventilation air exchange, either natural or mechanical, as required to maintain acceptable indoor air quality.

USA 8-Hr. Time weighted average
(OSHA 29 CFR 1926.55 App A)

CO 50 ppm
CO₂ 5,000 ppm
NO₂

USA – Ceiling Limit
(Short Term Exposure Limit = 15 minutes)

CO
CO₂

NO₂ 5 ppm

Canada 8-Hr. Time weighted average
WorkSafe BC OHS Guidelines Part 5.1
and Ontario Workplaces Reg 833

25 ppm
5,000 ppm
3 ppm (Reg 833)

Canada STEL (15 minutes Reg 833/1 hr.
WSBC) WorkSafe BC OHS Guidelines part
5.1 and Ontario Workplaces Reg 833

100 ppm
15,000 ppm (WSBC)
30,000 ppm (Reg 833)
1.0 ppm (WorkSafeBC)
5.0 ppm (Reg 833)

- Ensure that the flow of combustion and ventilation air exchange cannot become obstructed.
- As the building "tightens up" during the construction phases, ventilation may need to be increased.

Fuel Gas Odor

Propane gas and natural gas have man-made odorants added specifically for detection of fuel gas leaks. If a gas leak occurs, you should be able to smell the fuel gas. **THAT'S YOUR SIGNAL TO GO INTO IMMEDIATE ACTION!**

- Do not take any action that could ignite the fuel gas. Do not operate any electrical switches. Do not pull any power supply or extension cords. Do not light matches or any other source of flame. Do not use your telephone.
- Get everyone out of the building and away from the area immediately.
- Close all fuel supply valves.
- Propane gas is heavier than air and may settle in low areas. When you have reason to suspect a propane leak, keep out of all low areas.
- Use your neighbor's phone and call your fuel gas supplier and your fire department. Do not re-enter the building or area.
- Stay out of the building and away from the area until declared safe by the firefighters and your fuel gas supplier.
- FINALLY, let the fuel gas service person and the firefighters check for escaped gas. Have them air out the building and area before you return. Properly trained service people must repair the leak, check for further leakages, and then relight the heater for you.

Odor Fading - No Odor Detected

- Some people cannot smell well. Some people cannot smell the odor of the man-made chemical added to propane or natural gas. You must determine if you can smell the odorant in these fuel gases.
- Learn to recognize the odor of propane gas and natural gas. Local propane gas dealers and your local natural gas supplier (utility) will be more than happy to give you a "scratch and sniff" pamphlet. Use it to become familiar with the fuel gas odor.

- Smoking can decrease your ability to smell. Being around an odor for a period of time can affect your sensitivity to that particular odor.
- The odorant in propane gas and natural gas is colorless and the intensity of its odor can fade under some circumstances.
- If there is an underground leak, the movement of gas through the soil can filter the odorant.
- Propane gas odor may differ in intensity at different levels. Since propane gas is heavier than air, there may be more odor at lower levels.
- Always be sensitive to the slightest gas odor. If you continue to detect any gas odor, no matter how small, treat it as a serious leak. Immediately go into action as discussed previously.

Attention - Critical Points to Remember!

- Propane gas has a distinctive odor. Learn to recognize these odors. (Reference Fuel Gas Odor and Odor Fading sections above).
- If you have not been properly trained in repair and service of propane gas and natural gas fueled heaters, then do not attempt to light the heater, perform service or repairs, or make adjustments to the heater on a propane gas or natural gas fuel system.
- Even if you are not properly trained in the service and repair of the heater, ALWAYS be consciously aware of the odors of propane gas and natural gas.

A periodic sniff test around the heater or at the heater's joints; i.e. hose, connections, etc., is a good safety practice under any conditions. If you smell even a small amount of gas, CONTACT YOUR FUEL GAS SUPPLIER IMMEDIATELY. DO NOT WAIT!

1. Do not attempt to install, repair, or service this heater or the gas supply line unless you have continuing expert training and knowledge of gas heaters.

QUALIFICATIONS FOR SERVICING AND INSTALLATION:

- a. To be a qualified gas heater service person, you must have sufficient training and experience to handle all aspects of gas-fired heater installation, service and repair. This includes the task of instal-

- lation, troubleshooting, replacement of defective parts and testing of the heater. You must be able to place the heater into a continuing safe and normal operating condition. You must completely familiarize yourself with each model heater by reading and complying with the safety instructions, labels, Owner's Manual, etc., that is provided with each heater.
- b. To be a qualified gas installation person, you must have sufficient training and experience to handle all aspects of installing, repairing and altering gas lines, including selecting and installing the proper equipment, and selecting proper pipe and tank size to be used. This must be done in accordance with all local, state and national codes as well as the manufacturer's requirements.
 - c. In the Commonwealth of Massachusetts, this product must be installed by a gas fitter licensed in the Commonwealth of Massachusetts.
2. All installations and applications of L.B. White heaters must meet all relevant local, state and national codes. Included are L.P. gas, natural gas, electrical, and safety codes. Your local fuel gas supplier, a local licensed electrician, the local fire department or similar government agencies, or your insurance agent can help you determine code requirements.

Refer to the following:

U.S. Installations:

- ANSI/NFPA 58, latest edition, Standard for Storage and Handling of Liquefied Petroleum Gas and/or
- ANSI Z223.1/NFPA 54, National Fuel Gas Code
- ANSI/NFPA 70, National Electrical Code.

Canadian Installations:

- CSA B149.1 Natural Gas and Propane Gas Installation Code.
- CSA C22.1 Part 1 Standard Canadian Electrical Code
- CSA C22.2 No.3, Electrical Features of Fuel Burning Equipment.

3. We cannot anticipate every use which maybe made of our heaters. Other standards govern the use of fuel gases and heat producing products in specific applications. Your local authority can advise you about these. Check with the local fire safety authority if you have questions about applications.
4. Do not wash the interior of the heater. Use only compressed air, a soft brush or dry cloth to clean the interior of the heater and it's components.
5. For safety, this heater is equipped with manual reset high limit switches, an air-proving switch and a redundant gas control valve. Never operate the heater with any safety device that has been bypassed. Do not operate this heater unless all of these features are fully functioning.
6. Do not locate fuel gas containers or fuel supply hoses within 20 ft./6.10 meters of the blower outlet of the heater.
7. Do not block air intakes or discharge outlets of the heater. Doing so may cause improper combustion or damage to heater components leading to property damage.
8. The hose assembly shall be visually inspected on a daily basis after heater relocation and when the heater is in use. If it is evident there is excessive abrasion or wear, or if the hose is cut, it must be replaced prior to the heater being put into operation. The hose assembly shall be protected from building materials, and contact with hot surfaces during use. The replacement hose assembly shall be that specified by the manufacturer. See parts list.
9. Premier 350DF heaters are equipped with a gas selector valve. The selector valve must be properly positioned for the gas supplied to the heater. Further information on this feature is provided on page 17 of this manual.
10. Check for gas leaks and proper function upon heater installation, when relocating, and after servicing. Refer to leak check instructions within installation section of this manual.
11. This heater shall be inspected for proper operation by a qualified service person before each use and at least annually.
12. Always turn off the gas supply to the heater if the heater is not going to be used in the heating of the work space.
13. This heater is equipped with a three-prong (grounding) plug for your protection against shock hazard and must be plugged directly into a properly grounded three-prong receptacle. Failure to use a properly grounded receptacle can result in electrical shock, personal injury, or death.
14. If gas flow is interrupted and flame goes out, do not relight the heater until you are sure that all gas that may have accumulated has cleared away. In any event, do not relight the heater for at least 5 minutes.

15. The heater requires a minimum 500 gallon/1892 litre propane tank for proper gas supply pressure and operation. A larger tank may be required depending upon operating conditions at the site.
16. When the heater is to be stored indoors, the connection between the propane gas supply cylinder(s) and the heater must be disconnected and the cylinder(s) removed from the heater and stored in accordance with the Standard for the Storage and Handling of Liquefied Petroleum Gases, ANSI/NFPA 58 or Standard CSA B149.1 Natural Gas and Propane Installation Code as appropriate.
17. The heater must be located at least 6 ft. (1.83m) in the U.S.; or 10 ft. (3m) in Canada from any propane gas container.
18. Propane gas supply containers have left handed threads. Always use the appropriate wrench to make a connection to tighten or loosen the pigtail connector's P.O.L. fitting at the container's gas supply valve.
19. For either indoor or outdoor installation and use. Adequate ventilation shall be provided in accordance with OSHA 29 CFR 1926.154, Safety Requirements for Temporary and Portable Space Heating Devices and Equipment, ANSI A10.10, National Fuel Gas Code, ANSI Z223.1/ NFPA54, Liquefied Petroleum Gas Code, NFPA 58 or the Natural Gas and Propane Installation Code, CAN B149.1, as appropriate.

General Installation Instructions

WARNING

Burn Hazard

Can cause property damage, severe injury or death.

1. To avoid dangerous accumulation of fuel gas, turn off gas supply at the appliance service valve before starting installation, and perform gas leak test after completion of installation.
2. Do not force the gas control knob. Use only your hand to turn the gas control knob. Never use any tools. If the knob will not operate by hand, the control should be replaced by a qualified service technician. Force or attempted repair may result in fire or explosion.


1. Read all safety precautions and follow L. B. White recommendations when installing this heater. If during the installation or relocating of heater, you suspect that a part is damaged or defective, call a qualified service agency for repair or replacement.
2. Make sure the heater is level (use a level) and properly positioned before use. Observe and obey all minimum safe distances of the heater to the nearest combustibile materials. Safe distances are given on the heater dataplate and on page 4 of this manual.
3. This heater may be installed either indoors or outdoors and is approved for use with or without ductwork. **For outdoor installations, additional accessories are needed to properly provide heated air to the inside.**

Only the ducting and the air distribution accessories as supplied and specified by the heater's manufacturer shall be used.

- 18 in./43.7 cm Dia. x 12 ft./3.66 m Duct:
Part #500-22835
- End Diffuser: Part #500-23189

DO NOT USE ANY OTHER LENGTH OF DUCTWORK OR FIELD FABRICATED DUCT, TARPS, STOVE PIPE, ETC. ON THIS HEATER.

- When using the ducting, ensure that bends in duct are kept to a minimum.

- Reducing the number of bends will ensure that the warm air exiting the heater flows freely, thereby preventing overheating. If there are excessive bends, the high limit switches may open.
4. Heaters used in the vicinity of combustible tarpaulins, canvas, plastics, wind barriers, or similar coverings shall be located at least 10 ft./3.05 meters from the coverings. The coverings shall be securely fastened to prevent ignition or upsetting of the heater due to wind action on the covering or other material.
 5. Check all connections for gas leaks using approved gas leak detectors. Gas leak testing is performed as follows:
 - Check all pipe connections, hose connections, fittings and adapters upstream of the gas control with approved gas leak detectors.
-  **WARNING**

Fire and Explosion Hazard

 - Do not use open flame (matches, torches, candles, etc.) in checking for gas leaks.
 - Use only approved leak detectors.
 - Failure to follow this warning can lead to fires or explosions.
 - Fires or explosions can lead to property damage, personal injury or loss of life.
6. A qualified service agency must check for proper operating gas pressure upon installation of the heater.
 7. Light according to instructions on heater or within owner's manual.
 8. Make sure the heater has the proper gas regulator for the application. A regulator must be connected to the gas supply so that gas pressure at the inlet to the gas valve is regulated within the range specified on the dataplate at all times.
 - The regulator supplied with the Premier 350DF 2.0 heaters are suitable for use with propane gas and natural gas.
 - Contact your gas supplier, or the L.B. White Co., LLC. if you have any questions.
 9. The heater must be installed so as not to interfere with or obstruct normal exits, emergency exits, doors and walkways.
 10. Railing, fencing or suitable substitute materials must be used to keep the heating equipment from any people using and visiting the structure.
 11. The heater shall be located so that rain, ice, or snow drainage from the structure does not affect equipment operation. If the heater is mounted outside, it must be mounted above any pooled or standing water. If the unit is to be located on the ground, a surrounding trench is recommended to drain any rain, ice, or snow away from the unit.
 12. The ground and surrounding terrain must be cleared of any combustible vegetation and other combustible materials when the heater is utilized outside.
 13. Eventually, like all electrical/mechanical devices, the thermostat can fail. Thermostat failure may result in an underheating condition. The thermostat should be tested to make sure it
- Tighten the gas connection as necessary to stop the leak.
 - If necessary, replace the parts or components involved if the leak cannot be stopped.
 - Ensure all gas leaks have been identified and repaired before proceeding.
- In the event a gas leak is detected, check the components involved for cleanliness and proper application of pipe compound before further tightening.
 - Furthermore, tighten the gas connections as necessary to stop the leak.
 - After all connections are checked and any leaks are stopped, turn on the main burner.
 - Stand clear while the main burner ignites to prevent injury caused from hidden leaks that could cause flashback.
 - With the main burner in operation, check all connections, hose connections, fittings and joints as well as the gas control valve inlet and outlet connections with approved gas leak detectors.
 - If a leak is detected, check the components involved for cleanliness in the thread areas and proper application of pipe compound before further tightening.

turns the heater on and off within a temperature differential of $\pm 3^{\circ}\text{F}$ ($\pm 1.5^{\circ}\text{C}$).

14. Take time to understand how to operate and maintain the heater by using this Owner's Manual. Make sure you know how to shut off the gas supply to the building and also to the individual heater. Contact your fuel gas supplier if you have any questions.
15. Any defects found in performing any of the service or maintenance procedures must be eliminated and defective parts replaced immediately. The heater must be retested by properly qualified service personnel before placing the heater back into use.

Gas Supply Sizing

The vaporization of propane is affected by several factors: the surface area of the container, the liquid level of propane, temperature surrounding the container, and the relative humidity. All of these factors are specific to a site. Therefore, a degree of experience and judgement is required to select the proper propane supply.

Although experience is the best guide, the following recommendations can be used as a starting point. The table is based on experience in northern climates where cold weather and high humidity are prevalent in the winter. If more or less favorable conditions prevail at a specific site, adjustments can be made on the basis of experience.

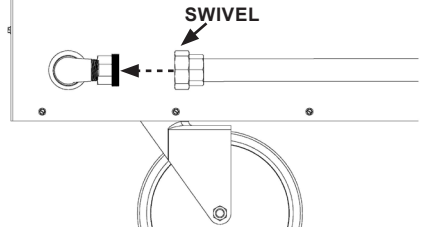
Recommended Gas Supply	
TANK SIZE	HEATERS / TANK
500 gal. / 1892 litre	1
1000 gal. / 3784 litre	2

If more than one gas supply container is used per heater, the containers must be manifolded together to allow vapor withdrawal simultaneously from multiple containers. Manifold system shall be in accordance with NFPA 58 or CSA B149.1.

Connecting Hose to Heater

1. Thread swivel onto connector at gas inlet of heater. See Fig. 1. Tighten securely.
2. The hose may be coiled up and hung on the hose hanger, with the regulator stored within the regulator storage bracket.

FIG. 1



L.B. WHITE
LINK

(Sold separately, 500-133225)

The Premier 350DF 2.0 is factory configured to be L.B. White LINK Ready.

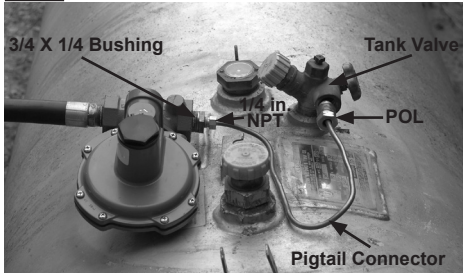
For more information on the L.B. White LINK system, contact your local L.B. White Dealer. You may also call the L.B. White Company, LLC at 1-800-345-7200.

Connecting Regulator to Gas Supply

WHEN USING PROPANE GAS:

1. Lift the tank's cover.
2. Assemble the gas components shown, depending on heater type. Tighten connections securely. See Fig. 2.

FIG. 2



3. Form the pigtail connector to ensure the regulator will be supported by the tank, and the tank valve cover will protect the regulator from weather conditions.
4. Thread connector's POL fitting counter-clockwise into the tank valve. Tighten securely. See Fig. 2.
5. Open the tank valve.
6. Check all connections with an approved leak detector. Close the tank's cover.
7. When storing or transporting the heater, ensure the connector's fitting is protected from damage and dirt entry.

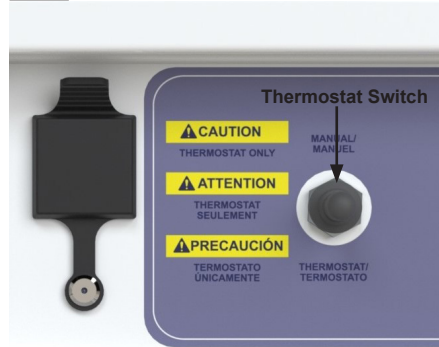
WHEN USING NATURAL GAS:

- The regulator only should be used if the gas supply pressure to the heater is above the maximum inlet pressure stated on the heater's dataplate.
- Connect the regulator as supplied with the heater to the natural gas supply line, using the appropriate connections. (DO NOT USE THE POL/PIGTAIL FOR NATURAL GAS INSTALLATIONS)
- **Gas supply pressure to the regulator must be a minimum of 2 PSI/13.7 kPa.**

Thermostat

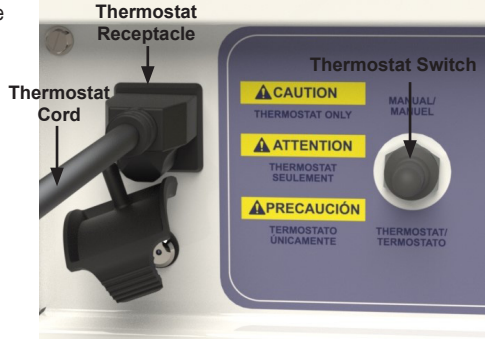
If a thermostat is not needed or required, select Manual setting on thermostat switch. See Fig. 3.

FIG. 3



If a thermostat is required, select the Thermostat setting on the switch and remove the thermostat outlet cover. Plug the thermostat cord into the thermostat outlet receptacle. See Fig. 4. Use ONLY L.B. White thermostat cord with plug. DO NOT use an inline thermostat plug when plugging to thermostat outlet receptacle.

FIG. 4



* ALWAYS cover the thermostat outlet when not in use.

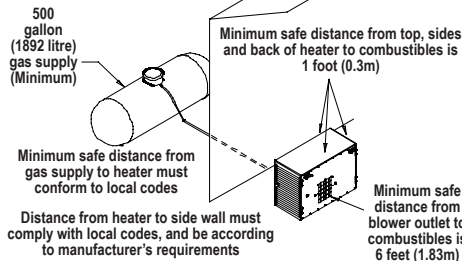
* DO NOT plug an appliance into the thermostat outlet.

* DO NOT plug the thermostat cord into a power receptacle.

Installation of Heater

Inside of Structure

FIG. 5



Outside of Structure

(Air distribution accessories - not supplied with heater)

A. Flex Duct Kit

Part Number: 500-22835
(18 in. x 12 ft. / 46 cm x 3.65 m)

1. Extend duct kit to 12 feet / 3.6 meter length.
2. Mount duct to blower outlet of heater by inserting tabs on duct adapter into vertical and horizontal slots located at top and sides of blower outlet. See Fig. 6. Push down on duct adapter to secure adapter into slots. See below for typical installation of heater located at exterior.

A maximum of three (3) 12 ft. x 18 in. (3.65 m x 46 cm) ducts can be used per heater. DO NOT attach an end diffuser when using three ducts. See Fig. 7 for typical installation.

FIG. 6

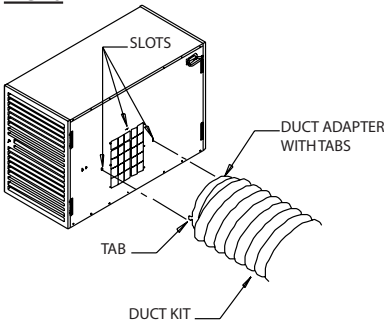
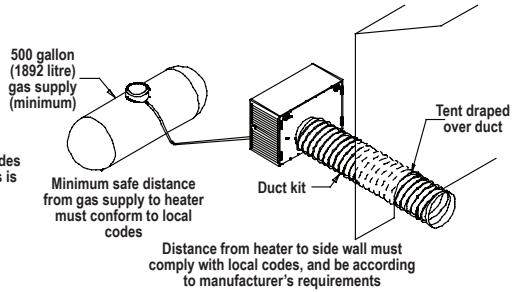


FIG. 7



B. End Diffuser

Part Number: 500-23189

Use only one duct (12 ft. / 3.7 m x 18 in. / 48 cm) per heater when using an end diffuser.

1. Loosen screw on duct clamp so clamp is easily positioned over ribs at end of flexible duct.
2. Slide the duct over the end diffuser collar and tighten the clamp to securely hold the duct onto the collar. See Fig. 8.
3. Locate the diffuser under the side wall. See Fig. 9.

FIG. 8

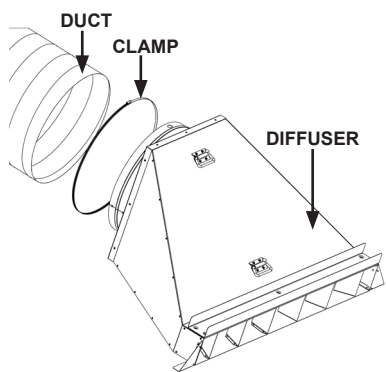
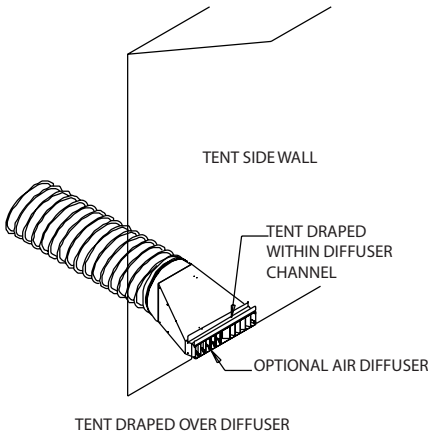


FIG. 9

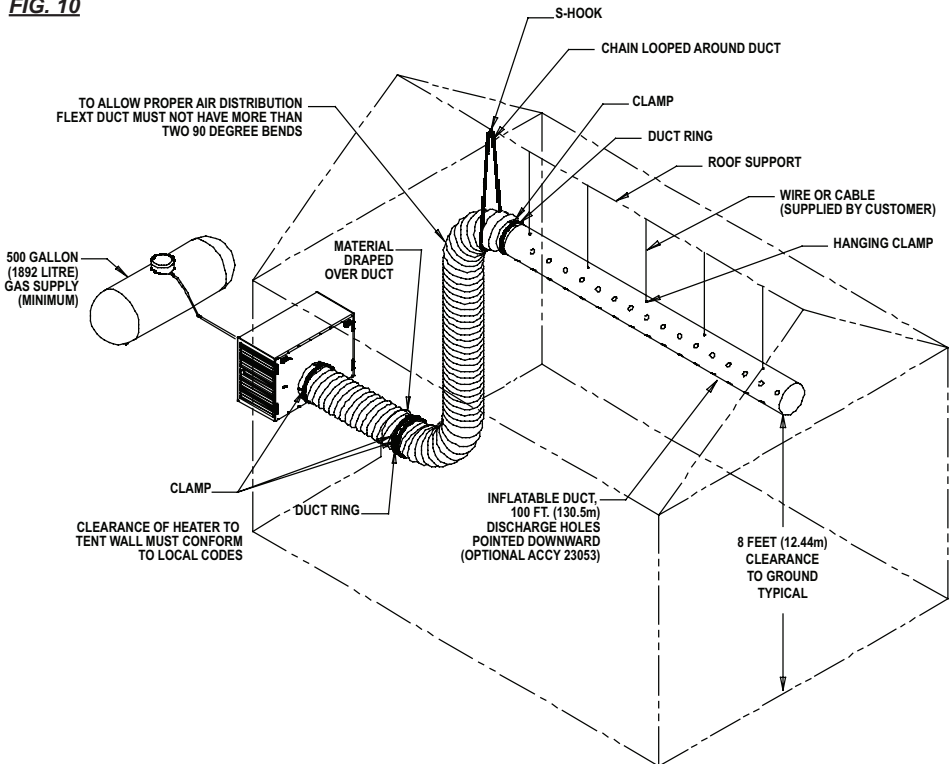


C. Inflatable Ducting

Use only 2 flex ducts when also using inflatable duct.

See Fig. 10.

FIG. 10



Start-Up Instructions

For normal start-up:

Connect an approved electrical cord to the male power receptacle.

A. Heating Mode Operation:


- Open all manual fuel supply valves. Check for gas leaks using an approved leak detector.
- Position the selector switch to heat. See Fig. 11. 

FIG. 11



- The fan motor will start, the igniter will spark and ignition will occur.
- If a thermostat is used, it will cycle the heater on and off based on the temperature set point.

ATTENTION

- It is normal for air to be trapped in the gas hose on new installations. The heater may attempt more than one trial for ignition before air is finally purged from the line and ignition takes place.

When the switch is set to heat, three status lights (see Fig. 12) will be activated in sequence as specific circuits are checked by the ignition control. If the heater does not light, and a status light is off, refer to the troubleshooting guide or the QR code in this manual.

FIG. 12



B. Ventilation Mode Operation

When the selector switch is positioned to vent, none of the status lights will be on. The fan motor will start, but the igniter will not spark, nor will ignition occur. This feature is used only when air circulation is required. The heater will not cycle on its thermostat setting. To discontinue the ventilation feature, position the switch to off or heat.

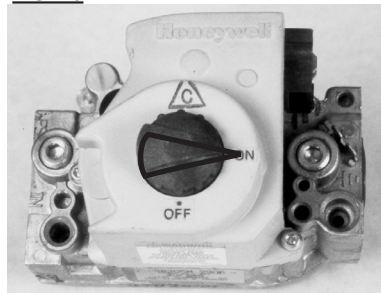
C. Off

- Position the switch to midpoint. 

Gas Control Valve

- The gas control is a single stage design valve. When 24 VAC is applied to the valve, it will open and deliver full gas output.
- The gas control valve has a manual shut off feature incorporated into the valve assembly. Ensure the indicator is turned to the ON position. See Fig. 13.

FIG. 13



- Do not exceed input rating stamped on name plate or manufacturer's recommended burner orifice pressure for size orifice(s) used. Make certain that the primary air supply to main burner is open and free of dust, dirt and debris for complete, proper combustion.

Shut-Down Instructions

If the heater is to be shut down for cleaning, maintenance, or repair, follow steps 1-5. Otherwise, set the thermostat below room temperature for standard shut-down. Do not shut the heater off by the selector switch. Doing so will remove power to the heater, preventing cooling of heat chamber. The burner end high limit switch will trip.

- Close the gas supply valve.
- Allow the heater to burn off any fuel gas remaining in the gas supply line.
- Set the thermostat below room temperature. **When the thermostat cycles the burner off, the fan motor will continue to run for 1 minute, allowing the heat chamber to cool. After 1 minute, the fan motor will shut off.**
- Position selector switch to off O
- Disconnect the heater from its gas and electrical supplies.
- Disconnect the heater from its gas and electrical supplies.

Gas Selector Valve

The heater is shipped from the factory with the fuel selector valve in the propane gas (LP) position. Ensure the fuel selector valve's handle is properly positioned for the fuel being used.

- This feature allows the heater to operate on either propane or natural gas without changing out the burner orifice. The gas selector valve is located between the gas control valve and the burner. Gas selection is made by repositioning the valve's handle. **THIS IS NOT A MANUAL GAS SHUT OFF VALVE.**
- Refer to Figs. 14 and 15. The valve handle must be properly positioned for the specific gas being used, otherwise the unit will overheat or underheat.

FIG. 14

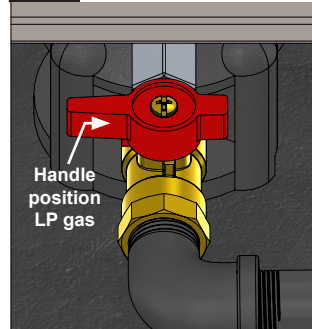
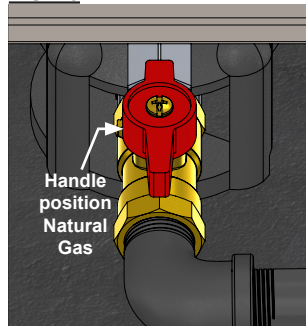
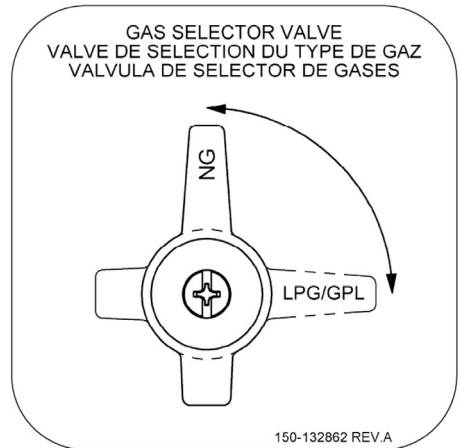


FIG. 15



- The handle must be fully set at 90 degrees to gas flow (propane gas) or parallel to gas flow (natural gas) for proper operation. Do not operate the heater with the valve handle set between either position, otherwise improper operation will occur.



Cleaning Instructions

WARNING

Fire, Burn, and Explosion Hazard

- This heater contains electrical and mechanical components in the gas management, safety and airflow systems.
- Such components may become inoperative or fail due to dust, dirt, wear, aging, or the corrosive atmosphere of an animal confinement building.
- Periodic cleaning and inspection as well as proper maintenance are essential to avoid serious injury or property damage.

1. Before cleaning, shut off all gas supply valves and disconnect the electrical supply.
2. The heater should have dirt or dust removed periodically:
 - a. Before each use give the heater a general cleaning using compressed air or a soft brush or dry rag on its case and internal components. At this time, dust off the motor case to prevent the motor from over-heating.
 - b. At least once a year, give the heater a thorough cleaning. At this time, remove the fan and motor assembly and brush or blow off the fan blade assembly. Additionally, make sure the burner air inlet venturi ports and the casting are free of dust accumulation.

WARNING

Do not use a pressure washer, water, or liquid cleaning solution on any gas controls. Use of a pressure washer, water, or liquid cleaning solution on the control components can cause severe personal injury or property damage due to water and/or liquids:

- In electrical components, and wires causing electrical shock or equipment failure.
- On gas control valves causing corrosion which can result in gas leaks and fire or explosion from the leak.

Clean all components of the heater with pressurized air, a dry brush, or a dry cloth.

Maintenance Instructions

BEFORE EACH USE:

- Check the area surrounding the heater to ensure it is clear and free of combustible materials, gasoline, and other flammable vapors and liquids.
- Have your gas supplier check all gas connections for leaks or restrictions in gas lines.
- Inspect the regulator vent to make sure the regulator vent is not blocked. Debris, insects, insect nests, snow, or ice on a regulator can block vents and cause excess pressure at the heater.
- Check all wiring associated terminals and electrical components within the heater for corrosion, frayed or cut insulation, tight connections, etc. Repair or replace as necessary.
- Check the hose assembly after heater installation, relocation and when the heater is in use. If it is evident there is excessive abrasion or wear, or if the hose is cut, it must be replaced prior to the heater being put back into operation
- Check the heater's fan drive belt. Make sure the belt is not cracked. If so, replace it. Additionally, ensure the belt is not slipping, that belt tension is proper, and sheaves are properly aligned and not worn.
- Review all heater markings (i.e. wiring diagram, warnings, start-up, shut-down, troubleshooting, etc.) at the time of maintenance for legibility. Make sure none are cut, torn, or otherwise damaged. Any damaged markings must be replaced immediately by contacting the L.B. White Co., LLC, Data plate, startup and shut-down instructions and warnings are available at no cost.

MONTHLY

- Lubricate the bearings once a month. Use NLGI grade 2 mineral oil lithium or lithium base grease.

ANNUALLY:

- Clean and check the igniter for cracks. Replace if necessary.
- Regulators can wear out and function improperly. Have your gas supplier check the date codes on all regulators installed and check delivery pressures to the heater to make sure that the regulator is reliable.
- Test both manual reset high limit heat switches to ensure proper operation. (See Testing instructions for same in this owner's manual.)

Service Instructions



WARNING Burn Hazard

- Heater surfaces are hot for a period of time after the heater has been shut down.
- Allow the heater to cool before performing service, maintenance, or cleaning.
- Failure to follow this warning will result in burns causing injury.



WARNING Fire and Explosion Hazard

- Do not disassemble or attempt to repair any heater components or gas train components such as gas valves, or gas hoses.
- All component parts must be replaced if defects are found.
- Failure to follow this warning will result in fire or explosions, causing property damage, injury, or death.

1. Close the fuel supply valve to the heater and disconnect the electrical supply before servicing unless necessary for your service procedure.
2. Clean the heater's orifice with compressed air or a soft, dry rag. Do not use files, drills, broaches, etc. to clean the orifice hole. Doing so will enlarge the hole, causing combustion or ignition problems. Replace the orifice if it cannot be cleaned properly.
3. The high limit switches, heat/vent switch and thermostat can be tested by disconnecting the leads at the component and jumpering the leads together.
 - Reconnect the electrical supply and open fuel supply valves.
 - If the heater lights, the component is defective and must be replaced.
 - Do not leave the jumper on or operate the heater if the part is defective. Replace the part immediately.
 - An alternate method for checking the components is to perform a continuity check..
4. The air pressure switch must not be jumpered. If jumpered, the ignition control will not allow heater operation. Test the air pressure switch for continuity. If defective, replace the switch.
5. Open the respective case panel for access to burner or fan related components.
6. For reassembly, reverse the respective service procedure. Ensure gas connections are tightened securely.
7. After servicing, start the heater to ensure proper operation and check for gas leaks.
8. If pulley or fan keys are lost during service, replacements are made by using 3/16 in. (4.7 mm.) square x 1 in. (2.54 cm) bar stock. Otherwise, order Part #22955.

Belt Replacement

1. Remove the belt guard from the heater. See Fig. 16.
2. Rotate the fan pulley CW while carefully lifting the belt so it clears the fan pulley groove. See Fig. 17.
3. Check the fan and motor pulleys for dirt. Clean the pulleys if needed.
4. When reinstalling the belt, ensure the arrows are directed CCW. See Fig. 18.

FIG. 16

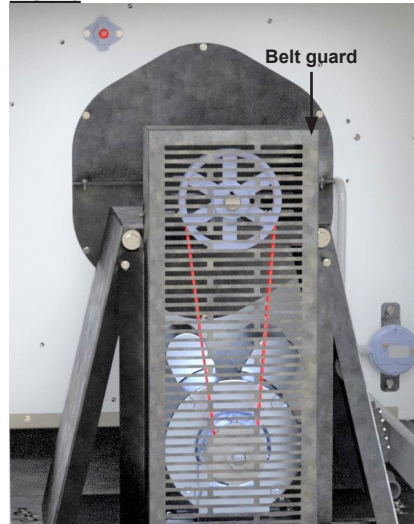
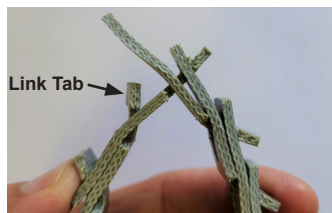


FIG. 17



4. Twist the tab 90° parallel to the slot.
5. Pull the end of the link over the tab.



6. Rotate the belt end with the tab 90°.
7. Pull the belt end through the two link.
8. Remove the link tab from the belt.
9. To re-assembly, reverse the processes.
10. Flip the belt back before installing it onto the pulleys.

FIG. 18



Fan and Motor Pulley

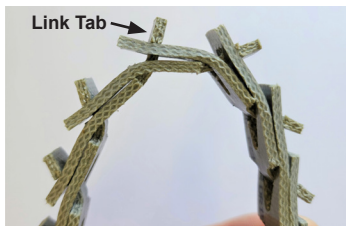
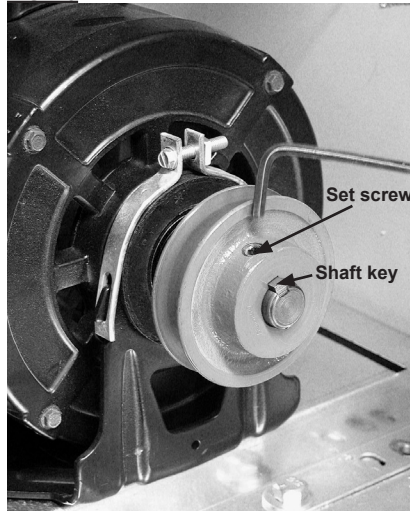
1. Remove belt guard from heater.
2. Remove belt from pulleys. See Belt Replacement.
3. Loosen set screw on fan and motor pulleys with a 9/64 in. allen wrench. See Fig. 19.
4. Remove pulleys and keys from fan shaft and motor.

Removing Belt Linkage

Extended use may cause the belt to loosen on either the fan pulley or the motor pulley. Reducing the linkage on the belt may be required.

1. Remove the belt per belt replacement procedure.
2. Flip the belt inside out.
3. Hold the belt upside down and flex the belt to expose link tab.

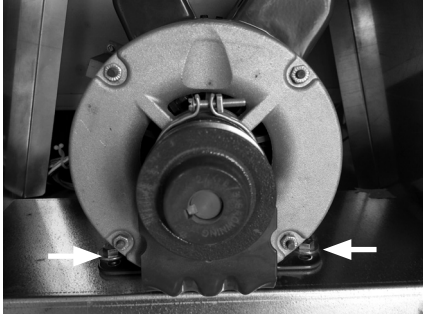
FIG. 19



Fan Motor

1. Remove the belt guard.
2. Remove the fan belt.
3. Remove the four bolts and washers from the motor mount flanges. See Fig.20

FIG. 20



4. Open the electrical access panel on the motor and disconnect the motor wiring. See Fig. 21.

FIG. 21

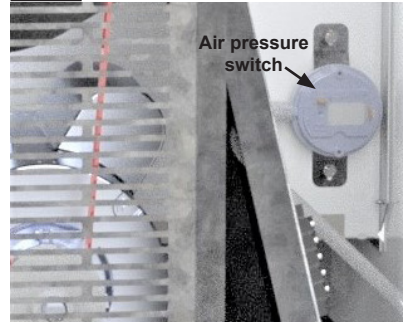


5. Remove the motor pulley from the motor shaft.
 - When reinstalling the motor, ensure the motor pulley is flush to the shaft end of the motor.

Air Pressure Switch

The air pressure switch is located on the side of the fan housing, above the fan motor, inside the louvered door. See Fig. 22.

FIG. 22



1. Disconnect the electrical leads from the air pressure switch.
2. Remove the clear tubes from the air pressure switch.
3. Remove the screws that secure the switch bracket to the fan housing panel.

If the air pressure switch contacts are closed on a call for heat before the fan motor starts, or do not close after the fan motor starts, the igniter will neither spark nor will the gas valve open.

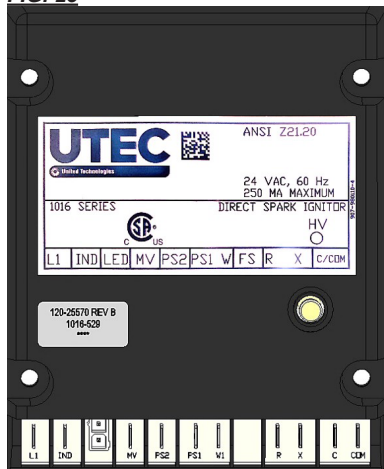
Ignition Control

The control sends and receives voltages to operate or verify operation of components. Refer to the following and Fig. 23 to understand the ignition control's terminal designators if doing voltage checks on the control.

- L1:** Main power supply voltage to control.
- IND:** Main power supply voltage from control to motor.
- LED:** Wire connection to red light of selector switch.
- MV:** 24 VAC from ignition control through both high limit switches to gas control valve.
- PS2:** 24 VAC return from air proving switch back to ignition control.
- PS1:** 24 VAC from ignition control to air proving switch.
- W:** 24 VAC return from thermostat to ignition control
- FS:** No terminal.
- R:** 24 VAC from ignition controller to thermostat.
- X:** 24 VAC from transformer to ignition controller (without 24 VAC the controller will not function).
- C/COM:** Earth ground for transformer and ignition control.

Also refer to "Operation Sequence" within this manual as needed to understand operation of the ignition control during a call for heat.

FIG. 23



Relay

The relay is responsible for supplying power to the motor. See Fig. 24 for connection of wiring.

Terminal	Function
COM	Power Supply Contact
NO	Load Contact
COIL	Closes Contact COM & NO

FIG. 24

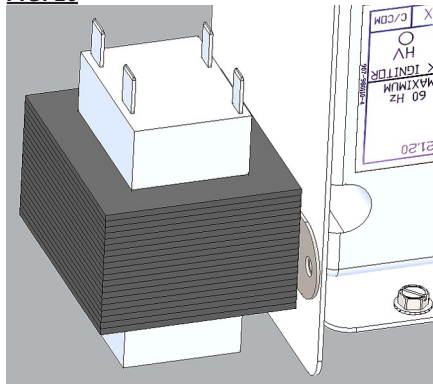


Transformer

The transformer, Fig. 25, reduces the main power supply voltage to 24 VAC for operation of the ignition control.

Without 24 VAC from the transformer, the ignition control will not function, nor will the heater operate.

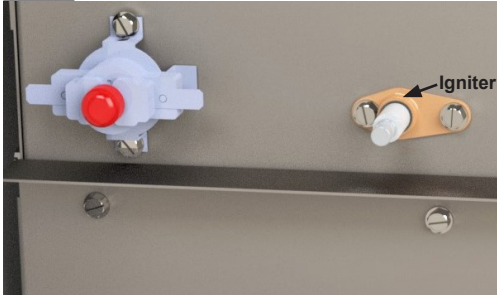
FIG. 25



Igniter Assembly

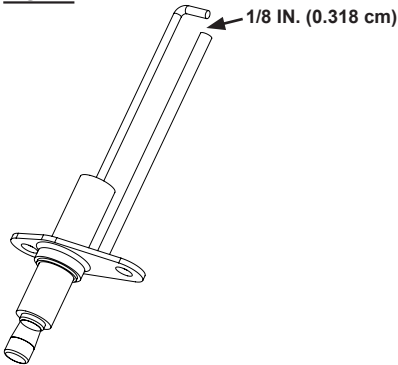
The igniter is mounted on the heat chamber panel.

FIG. 26



1. Disconnect the high voltage ignition lead from the igniter.
2. Remove the two screws securing the igniter to the sheet metal panel.
3. Igniter gap should be 1/8 in. (0.318 cm). See Fig. 27.

FIG. 27



- The igniter and ground rod should be cleaned during routine maintenance to maintain proper ignition.
 - Use steel wool or emery cloth.
 - Rub briskly to remove buildup of dust, dirt, and oxide.
- Check the igniter's ceramic base for cracks.
 - Replace the igniter if cracks are found.

Manual Reset High Limit Switches

! WARNING Burn Hazard

- Do not operate the heater with the high limit switch bypassed.
- Operating the heater bypassed high limit switch may lead to overheating, possibly resulting in a fire, with subsequent damage to the heater or property damage.

This heater has two high limit switches. One is located at the burner end of the heater on the heat chamber. See Fig. 28. The other is located on the fan housing end above the fan motor. See Fig. 29.

FIG. 28

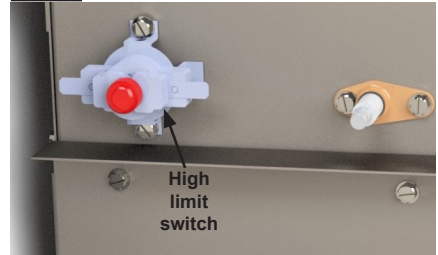
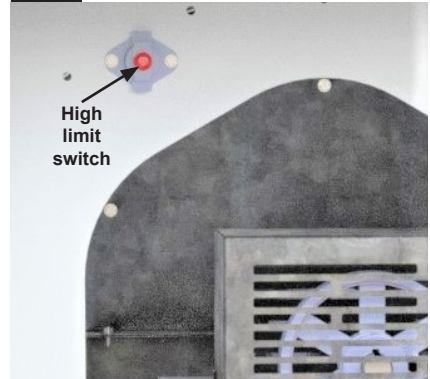


FIG. 29



Their purpose is to de-energize the gas control valve if the heater should overheat.

Burner end high limit: Protects the burner and associated wiring from overheating caused by excessive gas pressure.

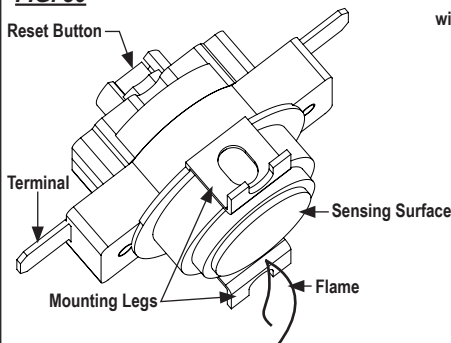
Motor end limit: Protects from overheating if the duct is kinked or restricted, or if the air inlet is blocked.

The switches are wired in series and will disconnect power to the gas control valve if either senses an overheat condition.

Both high limit switches should be tested a minimum of once per year when the heater is given a thorough cleaning.

1. Remove the high limit switches from the heater. Also remove the red cap from both switches.
2. Holding a switch by one of its mounting legs, apply a small flame only to the sensing portion on the back of the switch. See Fig. 30. Be careful not to melt the plastic housing of the switch when conducting this test.

FIG. 30

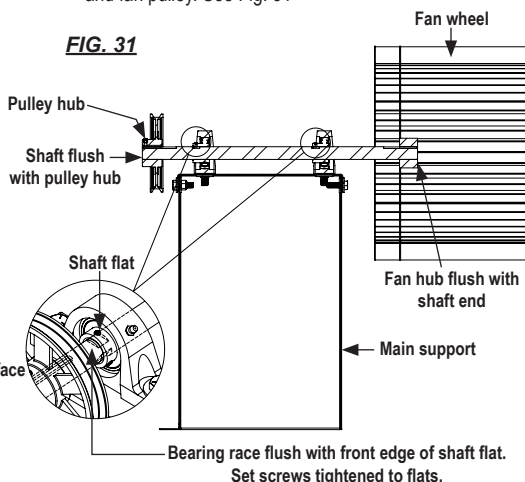


3. Within a minute, you should hear a "click" indicating the contact of the switch opened.
4. Allow the switch to cool for about a minute before firmly pressing its reset button. Put the red cap back on the switch.
5. Check for electrical continuity across the switch terminals to make sure the contacts have closed.

Fan Wheel, Bearings and Shaft

1. Remove the following:
 - a. Belt guard and belt.
 - b. Bolts and washers securing the bearing platform at the heater's base.
 - c. Screws securing the fan panel to the fan housing.
2. Slide the complete assembly from the heater.
3. Replace the components as needed
4. When reinstalling, ensure fan shaft is flush with fan hub and fan pulley. See Fig. 31

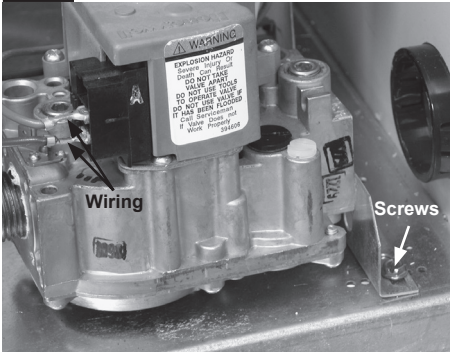
FIG. 31



Burner Orifice and Gas Control Valve

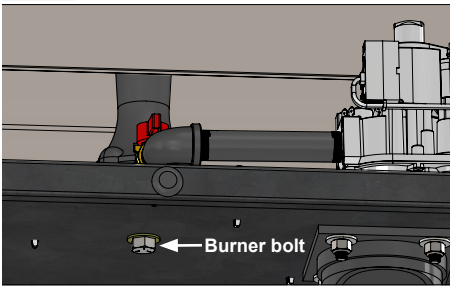
1. Remove hose and pipe nipple from control valve inlet.
2. Open burner end door.
3. Remove the screws from gas control bracket and disconnect control valve's electrical wiring. See Fig. 32.

FIG. 32



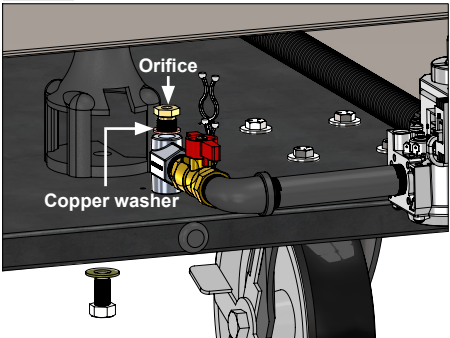
4. Remove burner retaining bolt from under base at gas control end of heater. See Fig. 33.

FIG. 33



5. Pull the gas train assembly so orifice is exposed. See Fig. 34. Replace control valve or orifice if needed.

FIG. 34



Gas Pressure Checks

WARNING Burn Hazard

- Do not disassemble the gas control valve.
- Do not attempt to replace any components of the gas control valve.
- The gas control valve must be replaced if any physical damage occurs to the control valve assembly.
- Failure to follow this warning will result in fire or explosions, leading to injury or death to humans, and property damage.

ATTENTION

- The following explains a typical procedure to be followed in checking gas pressures.
- The gas pressures will vary depending upon fuel type.
- Consult the dataplate on the heater or page 4 in this manual for specific pressures to be used in conjunction with this procedure.
- Gas pressure measured at the inlet to the gas valve is Inlet Pressure and gas pressure measured at the outlet of the gas valve is Burner Manifold Pressure.

MATERIALS REQUIRED

Quantity	Description
2	Gas pressure gauges capable of reading up to 35 in.W.C./8.7 kPa. (Available from L.B.White Company if desired)

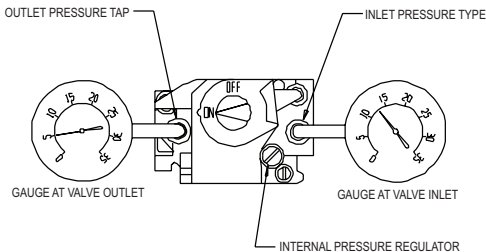
A. Preparation

1. Disconnect the heater from the electrical supply and close the fuel supply valve to the heater.
2. Open the case access panel at burner end of heater.
3. Brush or blow off any dust or dirt in the vicinity of the gas control valve.

B. Gauge Installation

1. Locate the gas control pressure tap, see Fig. 35. Remove the pressure tap plugs using a 3/16 in. allen key.
2. Securely connect pressure gauges at these points.
3. Open the fuel supply valves to the heater and reconnect the heater electrical supply.
4. Start the heater

FIG. 35



C. Reading Pressures

1. With the heater operating, the pressure gauges should read the pressures specified on the dataplate.
2. Do the readings at the inlet and outlet pressure gauges agree with that specified on the dataplate? If so, then no further checking or adjustment is required. Proceed to section D.
3. If the inlet pressures do not agree with that specified on the dataplate, then the regulator controlling gas pressure to the heater requires adjustment.
4. If the inlet pressure is correct but the burner manifold pressure does not agree with that specified on the dataplate, then the gas control valve's internal pressure regulator needs adjustment:
 - Remove the regulator cap on the control valve.
 - Using a standard screwdriver turn the adjusting screw clockwise (to increase pressure) or counter-clockwise (to decrease pressure) until the burner manifold pressure is set.
 - Install regulator cap.
 - Proceed to COMPLETION.

C. Completion

1. Once the proper inlet and burner manifold pressures have been confirmed and/or properly set, close the fuel supply valve to the heater and allow the heater to burn off any gas remaining in the gas supply line.
2. Disconnect the heater from its electrical supply and close fuel supply valve.
3. Remove the gauges.
4. Install pressure tap plugs.
5. Open fuel supply valve and reconnect electrical supply to heater. Start the heater and check for gas leaks.
6. Set thermostat to desired temperature.

Troubleshooting Guide

READ THIS ENTIRE SECTION BEFORE BEGINNING TO TROUBLESHOOT PROBLEMS.



WARNING

- This heater can start at any time.
- Troubleshooting this system may require operating the unit with line voltage present and gas on. Use extreme caution when working on the heater.
- Failure to follow this warning may result in property damage, personal injury or death.

The following troubleshooting guide provides systematic procedures for isolating equipment problems. This guide is intended for use by a QUALIFIED GAS HEATER SERVICE PERSON. DO NOT ATTEMPT TO SERVICE THESE HEATERS UNLESS YOU HAVE BEEN PROPERLY TRAINED.

TEST EQUIPMENT REQUIRED

The following pieces of test equipment will be required to troubleshoot this system with minimal time and effort.

- **Digital Multimeter** - for measuring AC voltage and resistance.
- **Low Pressure Gauge** - for checking inlet and outlet pressures at the gas control valve against dataplate rating.
- Visually inspect equipment for apparent damage.
- Checking all wiring for loose connections and worn

Refer to the system operation sequence in this section to gain an understanding as to how the heater operates during a call for heat. Understanding the sequence of operation is important as it relates to problem solving.

Four green lights are located next to the selector switch. Each light will be activated in sequence as that circuit within the heater is verified by the ignition control. If the circuit is not verified, that respective light will not be activated. The most common heating mode problems are identified by a green light being OFF if a specific fault occurs. However, two other problems may also occur. See the following.

Identify the specific problem and then refer to the appropriate troubleshooting flow chart

<u>Heating Mode Problems</u>	<u>Page</u>
Volt meter does not display voltage	27
Transformer status light not ON.	27
Air pressure status light not ON.	28
Gas control status light not ON.	29
All lights are ON, fan motor runs, burner does not light	30
All lights are on, EXCEPT gas valve light.	
Fan motor does not run, burner does not light.	31
Heater lights but does not stay lit	31

Ventilation Mode Problems 31

Components should be replaced only after each step has been completed and replacement is suggested in the flow chart. Refer to the Servicing sections as necessary to obtain information on disassembly and replacement procedures of the component once the problem is identified by the flow chart.

DIRECT IGNITION OPERATION SEQUENCE:

- Selector switch is set to HEAT.
 - Volt meter activated indicating voltage to heater
- Line voltage is sent to the transformer and to ignition control (L1).
- Transformer reduces line voltage to 24 volts which is sent to ignition control.
 - Transformer light is activated indicating that ignition control is receiving 24 volts from transformer.
- Ignition control module sends 24 volts to thermostat switch.
 - Thermostat calls for heat or thermostat switch is in the MANUAL setting
- Thermostat sends 24 volts to ignition control (W).
- Ignition control module performs self safety check.
- Ignition control (PS1) sends 24 volts to air pressure switch.
- Ignition control (IND) sends line voltage to motor relay.
 - Motor relay closes.
- Fan motor starts.
- Air pressure switch closes and 24 volts are returned to the ignition control module (PS2).
 - Air pressure switch light is activated indicating that the air pressure circuit is operating properly.
- Ignition control begins ignition trial sequence.
- Ignition control sends high voltage to the igniter electrode.
 - Igniter sparks.
- Ignition control (MV) sends 24 volts to the gas control valve through the high limit switch(es).
 - Gas valve light is activated indicating that gas control valve is receiving 24 volts.
 - Gas control valve opens.
 - Ignition occurs.
- Igniter continues to spark until flame proving occurs.

- Ignition spark is cut off.
- Gas valve stays open.
- Room warms to desired temperature.
 - Thermostat is satisfied.
 - Gas control closes, burner shuts down.
- Fan motor continues to run for 1 minute, cooling the heat chamber.
 - Fan motor stops.
 - Heater shuts off.
- Process starts again on a call for heat.

IGNITION FAILURE SEQUENCE:

- Trial for ignitions takes approximately 180 seconds.
- If ignition module does not sense a flame within each ignition trial,
 - Gas valve closes.
 - Ignition spark shuts off.
- The ignition module will pre-purge for 60 seconds before another ignition trial.
- If ignition is not establish within the 3 ignition trials, the module goes into safety lockout.
 - Fan motor stops.
 - To retry for ignition, the systems must be reset:
 - Turn the thermostat down and then up to call for heat or unplug heater and plug it back in or
 - Position selector switch to off and then back to on.

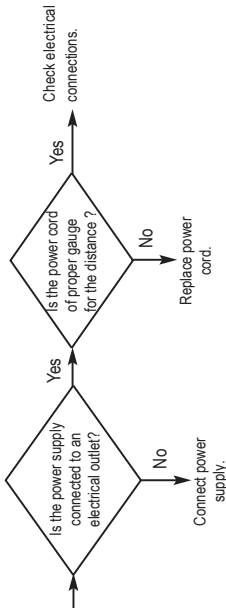
Fan Drive Components Troubleshooting

Refer to the following table to identify basic problems, causes and cures associated with belt drive systems.

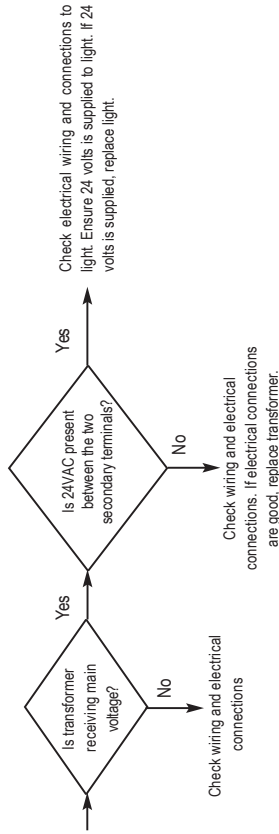
<u>PROBLEM</u>	<u>CAUSE</u>	<u>CURE</u>
Belt Slips	Pulleys worn (Belts bottoming out in grooves)	Replace pulleys
	Oil or grease on belt	Clean pulleys or belt.
Belt Breaks	Improper belt installation	Belt pried over pulleys using sharp or pointed tools. Install new belt properly.
Belt Jumps Pulley Grooves	Drive misaligned	Check and realign
	Dirt entering pulley	Remove belt, clean the pulleys
	Belt hitting belt guard	Realign guard (check for loose or missing guard screws)
Belt Cracking	Dirt or grease on belt or aged belt	Remove dirt or replace belt.
Belt Wearing Rapidly	Belt hitting belt guard	Realign guard (check for loose or missing guard screws)
	Worn pulleys	Replace pulley
	Dirt in pulleys	Remove dirt

HEATING MODE: All lights are ON → Normal operation

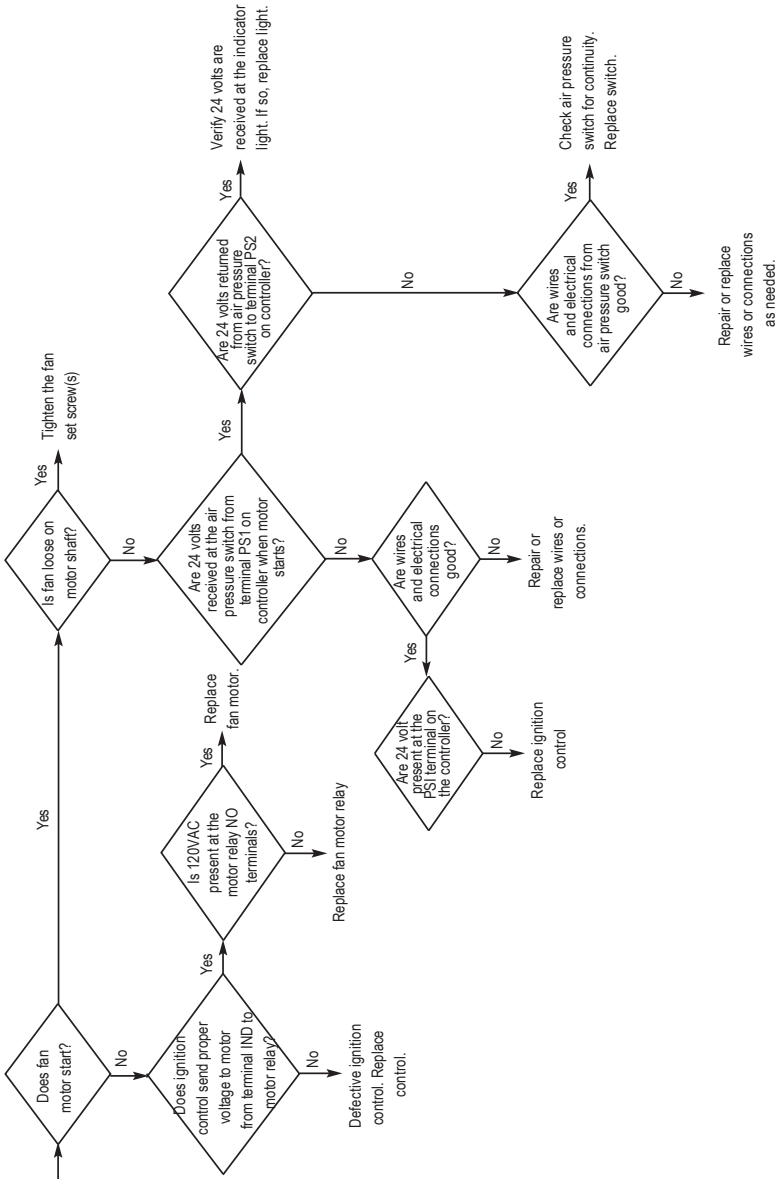
Volt meter does not display voltage.



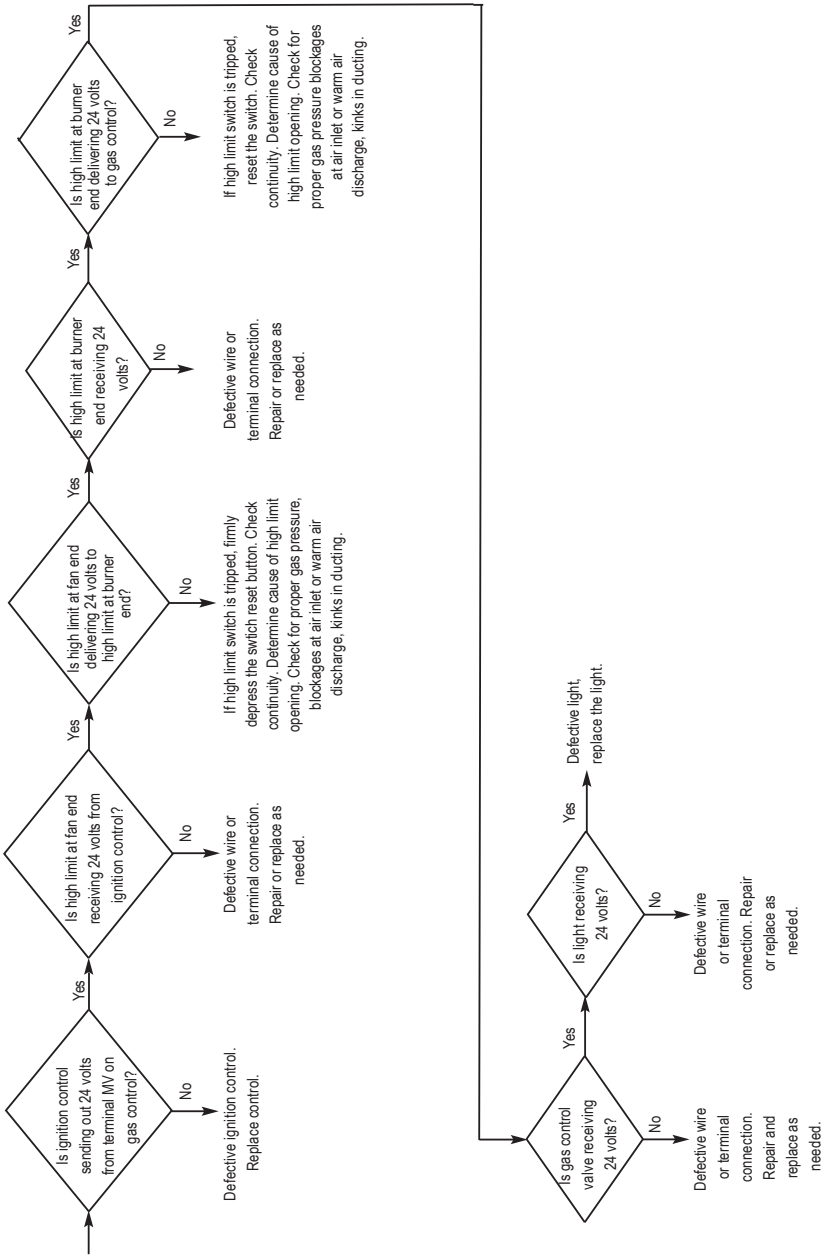
Transformer status light is not on.



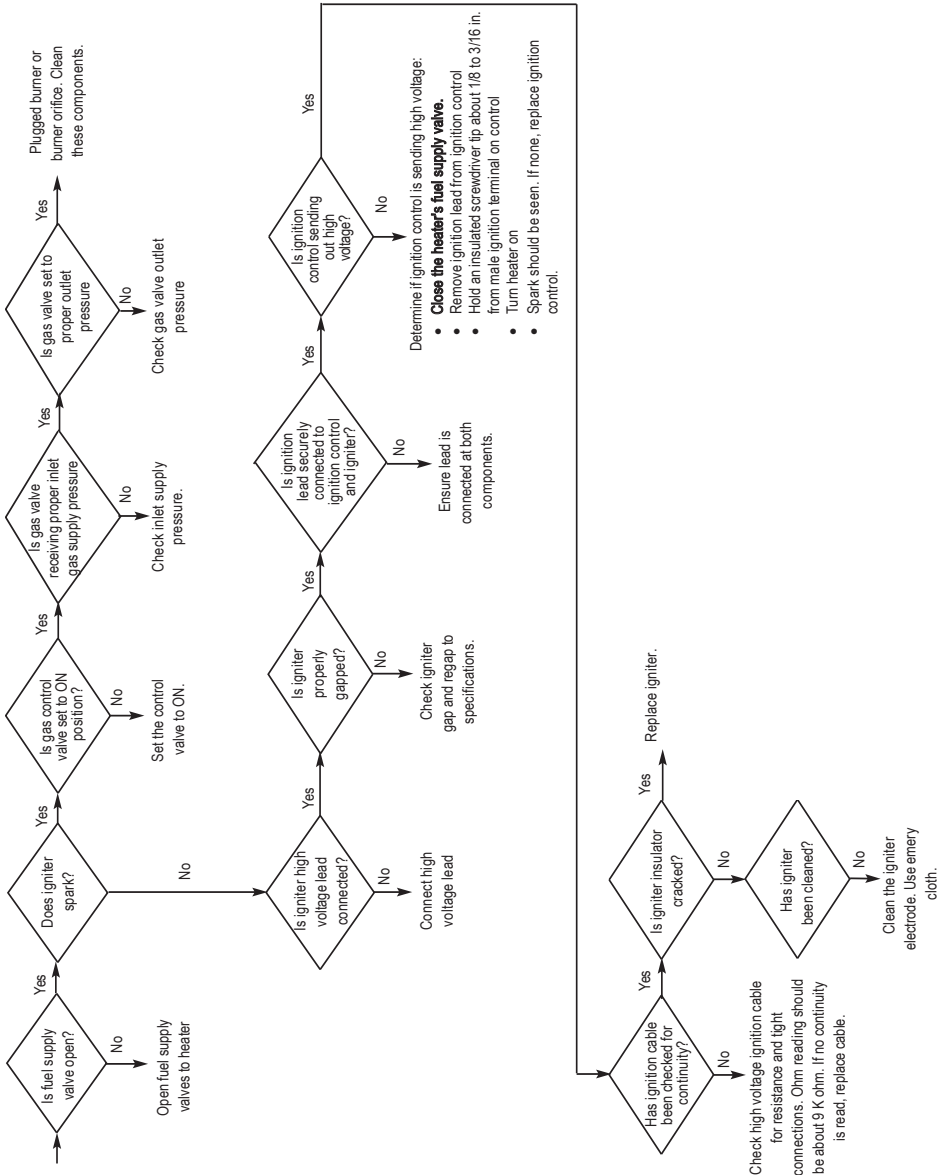
Air pressure status light is not on.



Gas control status light is not on.



**All lights are on.
Fan motor runs
but burner does
not light.**

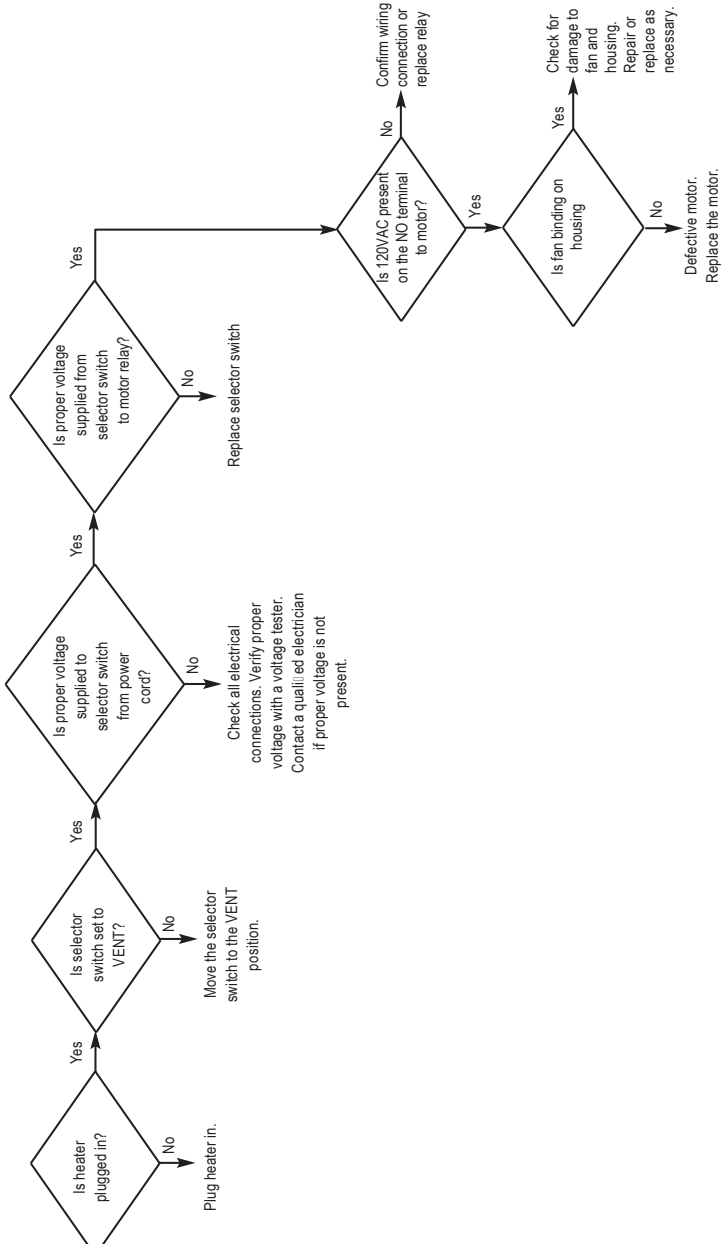


→ Air pressure switch has failed in the closed position. Check for air flow obstruction and continuity; if not found replace the switch.
All lights are on. EXCEPT gas valve light. Fan motor does not run. burner does not light.

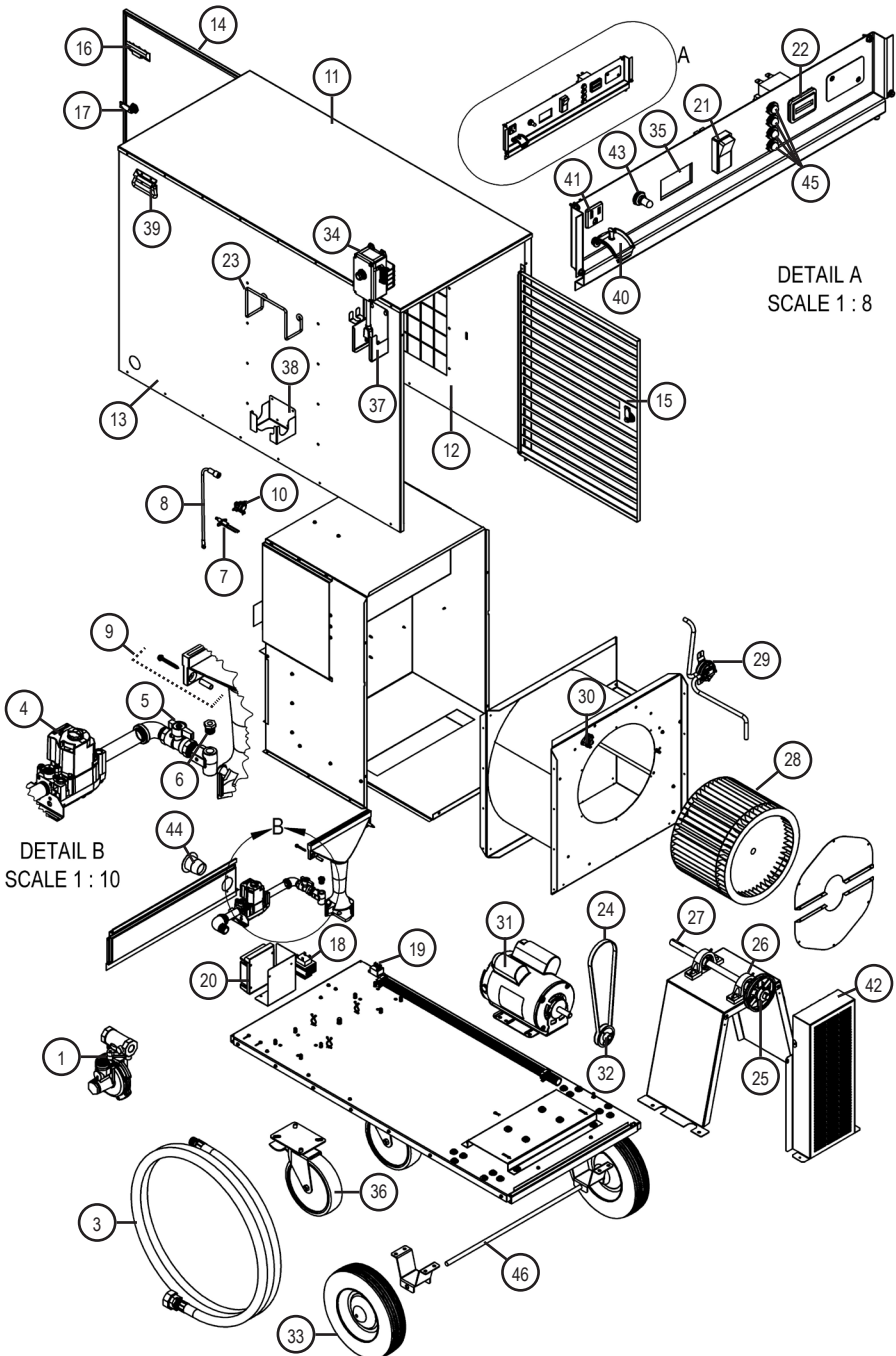
→ Caused by poor flame sense or flame sense related problems. Check for cracked or dirty igniter or poor power supply grounds. (The heater requires a grounded electrical supply for continued operation.)
All lights are on. Burner lights but does not stay lit.

VENTILATION MODE:

Problem
Motor does
not run.



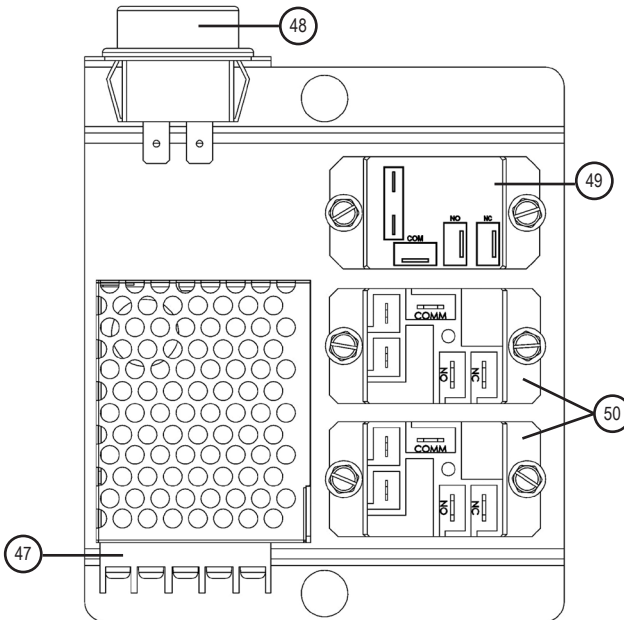
Service Parts Identification Schematic



Item	Description	Part Number
1	Regulator	500-25141
2	Pigtail Connector (Not shown)	500-25766
3	Hose, 3/4 ID x 15 ft.	500-25965
4	Valve, Gas Control	522189
5	Valve, Gas Selector	574237
6	Orifice, Burner with washer	574236
7	Igniter	574196
8	Lead, Ignition, 54" x 7mm	574262
9	Burner Mounting Hardware (2 ea. Screws and Spacers)	570211
10	Switch, High Limit, Burner End	571262
11	Case, Top w/ Labels	574271
12	Case, Front w/ Labels	574270
13	Case, Back w/ Labels	574272
14	Case, Door, Burner w/ Labels	574274
15	Case, Door, Louvered w/ Label	574273
16	Handle, Door, Recessed	574124
17	Latch, Door	574162
18	Transformer, 120/24, 40VA	573697
19	Relay, 120V, SPNO, 40 amp, Flange Mounted	574446
20	Control, Ignition	574247
21	Switch, Rocker, ON/OFF/ON	574122
22	Hour Meter	574121
23	Hose Hanger	571619
24	Belt	573716
25	Pulley, Fan	571303
26	Bearing, Pillow Block (2 per)	571294
27	Shaft, 3/4 in. dia. With 3/16 keyway	571820
28	Fan Wheel	571309
29	Switch, Air Pressure	574232
30	Switch, High Limit, Motor End	574451
31	Motor	571327
32	Pulley, Motor	573838
33	Wheel Kit (1 ea. Wheel & cap)	571153
34	Thermostat Kit w/ 1.4 ft. Cord	500-132976
	Thermostat Kit w/ 25 ft. Cord	500-30125
35	Volt Meter	573947

Item	Description	Part Number
36	Wheel, Caster with Mounting Hardware	571193
37	Bracket, Thermostat Storage	574217
38	Bracket, Regulator Storage	574275
39	Handle, Case	571628
40	Cover, Thermostat Outlet	574138
41	Receptacles, Thermostat, Snap-in	573570
42	Guard, Belt	574189
43	Switch, Selector Thermostat w/ Boot	570456
44	Inlet, Flanged, Power Receptical	574125
45	Light, Status, Green, 24 Volt	574159
46	Axle, Rod	573837

LINK Power Relay Panel Replacement Parts



Item	Description	Part Number
47	Power, Supply, 120VAC/12VDC	574244
48	Fuse, 32V, 2A, Type FAS	574278
49	Relay, 120VAC Coil, SPDT, 40 AMP	574253
50	Relay, 24VAC Coil, SPDT, 20 AMP	574255

Notes

Manual Rev./Changes

Date	Rev.	Revision Change	Description
3/4/2022	A	No	Added manual change table and 574247 was 500-25590
4/25/2022	A	No	Transformer 573697 was 509615
9/29/2022	A	No	Added installation notice
1/10/2023	A	No	Motor relay 574446 was 574253, added axle service number
3/13/2023	A	No	Corrected motor end high limit service number

Warranty Policy

HEATER

L.B. White Company, LLC warrants that the component parts of its heater are free from defects in material and workmanship, when properly installed, operated, and maintained in accordance with the Installation and Maintenance Instructions, safety guides and labels contained with each unit. If, within 24 months from the date of purchase by the end user, any component is found to be defective, L.B. White Company, LLC will at its option, repair or replace the defective part or heater, with a new part or heater, F.O.B., Onalaska, Wisconsin. Registering your product online with L.B.White will automatically qualify a unit and its component parts for warranty consideration. If a product has not been registered with L.B.White, a copy of the bill of sale will be required to establish warranty qualification. If neither is available, the warranty period will be 24 months from date of shipment from L.B. White.

PARTS

L.B. White Company, LLC warrants that replacement parts purchased from the company and used on the appropriate L.B. White equipment are free from defects both in material and workmanship for 12 months from the date of purchase by the end user. Warranty is automatic if a component is found defective within 12 months of the date code marked on the part. If the defect occurs more than 12 months later than the date code but within 12 months from the date of purchase by the end user, a copy of a bill of sale will be required to establish warranty qualification.

The warranty set forth above is the exclusive warranty provided by L.B. White, and all other warranties, including any implied warranties or merchantability or fitness for a particular purpose, are expressly disclaimed. In the event any implied warranty is not hereby effectively disclaimed due to operation of law,

such implied warranty is limited in duration to the duration of the applicable warranty stated above. The remedies set forth above are the sole and exclusive remedies available hereunder. L.B. White will not be liable for any incidental or consequential damages directly or indirectly related to the sale, handling or use of the equipment, and in any event L.B. White's liability in connection with the equipment, including for claims based on negligence or strict liability, is limited to the purchase price.

Some states do not allow limitations on how long an implied warranty lasts, so the above limitation may not apply to you. Some states do not allow the exclusion or limitation of incidental or consequential damages, so the above limitation or exclusion may not apply to you. This warranty gives you specific legal rights, and you may also have other rights which vary from state to state.

To register your product and ensure full warranty, go to http://www.lbwhite.com/customer_care_center/product-registration/. Please have the serial number(s) and model(s) handy for the products you are registering.

Service

Contact your local L.B. White dealer for replacement parts and service. You may also call the L.B. White Company, LLC at 1-800-345-7200, for assistance, or email us at customerservice@lbwhite.com.

Be sure that you have your heater model number and configuration number when calling.



**WORLD PROVIDER - INNOVATIVE
CLIMATE SOLUTIONS**

411 Mason Street, Onalaska, WI 54650
800-345-7200 • 608-783-5691
608-783-6115 (fax)

www.lbwhite.com



Premier Calefactores canalizados

CS350 2.0 350,000 Btuh/102.6 kW

De doble Combustible

Para ver este manual en línea, visite www.lbwhite.com

Atención

Este calefactor ha sido probado y evaluado por OMNI Test Laboratories según los requisitos de la norma ANSI Z83.7+CSA 2.14, y está clasificado y aprobado como calefactor para construcciones canalizadas de gas directo y aire forzado, con aplicación para calefacción transitoria de edificios en construcción, bajo modificaciones o reparaciones. A su vez, este calefactor ha sido revisado y aprobado por OMNI Test Laboratories para aplicaciones de calefacción de carpas con ocupación humana temporaria en Estados Unidos y Canadá. SI TIENE PREGUNTAS SOBRE LAS APLICACIONES, CONSULTE A SU AUTORIDAD LOCAL DE SEGURIDAD EN MATERIA DE INCENDIOS, SU PROVEEDOR DE GAS COMBUSTIBLE O L.B. WHITE COMPANY.
www.lbwhite.com



Report No.: 0545GH007S

¡Felicitaciones!

Acaba de comprar el mejor calefactor circulante disponible. Su nuevo calefactor L.B. White los beneficios del fabricante de productos de calefacción más experimentado que emplea tecnología de avanzada.

En L.B. White, le agradecemos la confianza depositada en nuestros productos y serán bien recibidos los comentarios y sugerencias que pueda tener... contáctenos al 1-800-345-7200, o envíe un correo electrónico a customerservice@lbwhite.com.

AVISO

Las instrucciones de instalación aquí contenidas son las de L.B. White Co. LLC sugirió recomendaciones y pautas para la instalación temporal o permanente de L.B. Calentadores White Co. LLC. Los requisitos de los códigos eléctricos y de seguridad locales, estatales y estatales reemplazan estas pautas. En ausencia de códigos locales, consulte la página 7 para la instalación en EE. UU. o Canadá.

CONSULTE LAS
INSTRUCCIONES
DE ARMADO
EN EL INTERIOR

Consulte la información
importante sobre elevación en
la portada interna.



ESCANEE ESTE
CÓDIGO

con su teléfono inteligente o
visite <http://goo.gl/5j21G>
para ver los videos de mantenimiento
para calefactores L.B. White.*

* Necesita una aplicación como QR
Droid para Android o para iPhone

PROVEEDOR MUNDIAL - SOLUCIONES CLIMÁTICAS INNOVADORAS

411 Mason Street, Onalaska, WI 54650 • 800-345-7200 • 608-783-5691 • 608-783-6115 (fax) • www.lbwhite.com

ÍNDICE

Especificaciones del calefactor	4
Información general.....	5
Precauciones de seguridad	5
General instrucciones de instalación.....	8
L.B. White LINK	10
Conexión del regulador	10
Instrucciones de puesta en marcha.....	13
Instrucciones de apagado	14
Instrucciones de limpieza	15
Instrucciones de mantenimiento.....	15
Instrucciones de servicio General	16
Verificaciones de la presión de gas.....	22
Guía para resolver problemas.....	24
Identificación de piezas esquema y piezas lista	32
Política de garantía.....	36



ADVERTENCIA

Los productos estándar se fabrican para funcionar con la máxima eficacia a elevaciones de entre 0 y 2000 ft (0 y 610 m) sobre el nivel del mar.

Si este se hace funcionar a elevaciones mayores, no funcionará correctamente y puede resultar inseguro.

Puede haber disponibles productos que aseguren un funcionamiento adecuado a elevaciones alternativas.

Si necesita un producto para altas elevaciones, no lo especificó al pedirlo o la caja en la que vino esta unidad no tiene una etiqueta adhesiva de designación de altitud alternativa, comuníquese con el servicio técnico.

**ADVERTENCIA GENERAL**

- SI NO SE CONTEMPLAN LAS PRECAUCIONES E INSTRUCCIONES SUMINISTRADAS CON EL CALEFACTOR, ESTE PUEDE OCASIONAR:
 - LA MUERTE
 - QUEMADURAS O LESIONES GRAVES
 - DAÑOS O PÉRDIDAS MATERIALES POR INCENDIO O EXPLOSIÓN
 - ASFIXIA DEBIDO A LA FALTA DE UN SUMINISTRO DE AIRE ADECUADO O ENVENENAMIENTO POR MONÓXIDO DE CARBONO
 - DESCARGAS ELÉCTRICAS
- LEA DETENIDAMENTE ESTE MANUAL DEL USUARIO ANTES DE INSTALAR O USAR ESTE PRODUCTO.
- SOLO AQUELLAS PERSONAS QUE PUEDAN LEER, COMPRENDER Y SEGUIR LAS INSTRUCCIONES DEBEN USAR O SOMETER A SERVICIO ESTE CALEFACTOR.
- GUARDE ESTE MANUAL DEL USUARIO PARA CONSULTARLO Y USARLO EN EL FUTURO.
- LOS MANUALES DEL USUARIO Y LAS ETIQUETAS DE REPUESTO ESTÁN DISPONIBLES SIN COSTO. CONSULTE EL SITIO WEB O CONTÁCTESE CON L.B. WHITE AL 1-800-345-7200.

**ADVERTENCIA**

- SE DEBERÁ PROPORCIONAR UNA PRESIÓN DE SUMINISTRO DE GAS APROPIADA A LA ENTRADA DEL CALEFACTOR.
- CONSULTE LA PLACA DE DATOS PARA OBTENER INFORMACIÓN SOBRE LA PRESIÓN DE SUMINISTRO DE GAS ADECUADA.
- SI LA PRESIÓN DE GAS SUPERA LA PRESIÓN DE ENTRADA MÁXIMA ESPECIFICADA EN LA ENTRADA DEL CALEFACTOR, SE PUEDEN PRODUCIR INCENDIOS O EXPLOSIONES.
- LOS INCENDIOS O LAS EXPLOSIONES PUEDEN CAUSAR LESIONES GRAVES, LA MUERTE O DAÑOS EN LA CONSTRUCCIÓN.
- SI LA PRESIÓN DEL GAS ES INFERIOR A LA PRESIÓN DE ENTRADA MÍNIMA ESPECIFICADA EN LA ENTRADA DEL CALEFACTOR, LA COMBUSTIÓN PUEDE SER INADECUADA.
- LA COMBUSTIÓN INADECUADA PUEDE CAUSAR ASFIXIA O ENVENENAMIENTO POR MONÓXIDO DE CARBONO, Y ASÍ OCASIONAR LESIONES GRAVES O LA MUERTE.

**ADVERTENCIA****Peligro de incendio y explosión**

- NO DEBE USARSE EN VIVIENDAS NI EN VEHÍCULOS RECREATIVOS.
- LA INSTALACIÓN DE ESTE CALEFACTOR EN UNA VIVIENDA O EN UN VEHÍCULO RECREATIVO PUEDE OCASIONAR UN INCENDIO O UNA EXPLOSIÓN.
- LOS INCENDIOS O EXPLOSIONES PUEDEN OCASIONAR DAÑOS MATERIALES O LA MUERTE.

**ADVERTENCIA****PELIGRO DE INCENDIO, QUEMADURAS, INHALACIÓN Y EXPLOSIÓN**

- MANTENGA LOS COMBUSTIBLES SÓLIDOS A UNA DISTANCIA SEGURA DEL CALEFACTOR.
- ENTRE LOS COMBUSTIBLES SÓLIDOS SE INCLUYEN PRODUCTOS DE MADERA, PAPEL O PLÁSTICO, MATERIALES DE CONSTRUCCIÓN Y POLVO.
- NO USE EL CALEFACTOR EN ESPACIOS DONDE HAYA O PUEDA HABER COMBUSTIBLES VOLÁTILES O EN SUSPENSIÓN EN EL AIRE.
- ENTRE LOS COMBUSTIBLES VOLÁTILES O EN SUSPENSIÓN EN EL AIRE SE INCLUYEN LA GASOLINA, LOS SOLVENTES, EL DILUYENTE DE PINTURA, LAS PARTÍCULAS DE POLVO Y LAS SUSTANCIAS QUÍMICAS DESCONOCIDAS.
- SI NO SIGUEN ESTAS INSTRUCCIONES, SE PUEDE PROVOCAR UN INCENDIO O UNA EXPLOSIÓN.
- LOS INCENDIOS O LAS EXPLOSIONES PUEDEN CAUSAR DAÑOS MATERIALES, HERIDAS O LA MUERTE.

PARA SU SEGURIDAD

No almacene ni use gasolina u otros vapores y líquidos inflamables cerca de este o de cualquier otro artefacto.

PARA SU SEGURIDAD

Si siente olor a gas:

1. Abra las ventanas.
2. No toque los interruptores eléctricos.
3. Apague toda llama al descubierto.
4. Llame inmediatamente a su proveedor de gas.

**ADVERTENCIA**

Cáncer y daño reproductivo.

Ver www.P65Warnings.ca.gov.

Especificaciones

Descripción		CS350 2.0	
Tipo de combustible		Gas propano	Gas natural
Entrada máxima (Btu/h/kW)		350,000 / 102.6	
Presión de suministro de gas de entrada aceptable en la entrada del calefactor para el propósito de ajuste de entrada (pulgadas de columna de agua/kPa)	MÁX.	13.5 / 3.36	
	MÍN	11.0 / 2.74	
Presión del colector del quemador (pulgadas de columna de agua/kPa)		8.0 / 2.0	
Consumo de combustible por hora	MAX	16.2 lbs. / 7.34 kg	350 cu.ft./9.9m ³
Características del motor		Rodamiento	
		1 H.P. / 745.7 Watts / 1,725 RPM	
Velocidad del ventilador		915 RPM	
Suministro eléctrico (Voltios/HZ/fase)		120 / 60 / 1	
Amperaje	Arranque	25.0	
	Uso continuo	11.0	
Dimensiones L x An. x Al. (in/cm)		48 x 22.25 x 32.75 / 122 x 56.6 x 83.2	
Distancias seguras mínimas del calefactor a los materiales combustibles más cercanos (pies/m)	Parte superior	1 / 0.3	
	Laterales	1 / 0.3	
	Parte inferior	1 / 0.3	
	Salida del soplador	6 / 1.83	
Distancia mínima desde el suministro de combustible (pie/m)		Propano - U.S.: 6/1.83, Canada: 10/3.05 Gas Natural - N/A	
Temperatura ambiente mínima que se puede usar		-20 °F/-29 °C	
Unidad de peso (libras/kg)		256 / 116.1	

Información general

En este manual del usuario se incluyen los accesorios que se usan comúnmente en este calefactor. Estos accesorios se deben pedir por separado. Cuando llame para solicitar asistencia técnica, o para obtener cualquier otra información específica, **siempre** tenga disponible el número de modelo, y el número de serie. Esta información se encuentra en la placa de datos.

Este manual le brindará instrucciones sobre el funcionamiento y el cuidado de su unidad. Pida a su instalador que revise con usted este manual para que usted pueda entender perfectamente el calefactor y su funcionamiento. Póngase en contacto con su distribuidor local de L.B. White o con L.B. White Company, LLC para obtener ayuda, o si tiene preguntas sobre el uso del equipo o sobre su aplicación. L.B. White Company, LLC tiene una política de mejoramiento continuo del producto. Se reserva el derecho de cambiar especificaciones y diseño sin previo aviso.

Precauciones de seguridad



ADVERTENCIA

Peligro de asfixia

- No use este calentador para calefaccionar viviendas humanas.
- El uso de calentadores de combustión directa en el entorno de la construcción puede provocar la exposición a niveles de CO, CO₂ y NO₂ que se consideran peligrosos para la salud y potencialmente peligrosos para la vida.
- No lo utilice en áreas sin ventilación.
- Conozca los síntomas de intoxicación por CO y CO₂
 - Dolores de cabeza, picazón en los ojos.
 - Mareos, desorientación.
 - Dificultad para respirar, sensación de sofocamiento.
- Se debe proporcionar un intercambio de aire de ventilación adecuado (OSHA 29 CFR 1926.57) para soportar las combustiones y mantener una calidad de aire aceptable de acuerdo de acuerdo con OSHA 29 CFR parte 1926.154, ANSI A10.10 Requisitos de seguridad para dispositivos y equipos de calentamiento de espacio temporal y portátil utilizados en la industria de la construcción o los Códigos de Instalación de Gas Natural y Propano CSA B149.1.
 - Controle periódicamente los niveles de CO, CO₂ y NO₂ existentes en el sitio de construcción, como mínimo al inicio del turno y después de 4 horas.
 - Proporcione un intercambio de aire de ventilación, ya sea natural o mecánico, según sea necesario, para mantener una calidad de aire interior aceptable.

EE. UU.: promedio de 8 h ponderado en el tiempo
(OSHA 29 CFR 1926.55 App A)

Canadá promedio de 8 h ponderado en
en tiempo Directrices de seguridad
laboral BC de la OHS, parte 5.1 y Reg.
sobre sitios de trabajo de Ontario 833

CO 50 ppm
CO₂ 5000 ppm
NO₂

25 ppm
5000 ppm
3 ppm (Reg 833)

EE. UU.: Límite tope
(Límite de exposición a corto plazo = 15 minutos)

Canadá STEL (15 minutos, reg. 833/1 h
WSBC) Directrices de seguridad laboral
BC de la OHS, parte 5.1 y Reg. 833
sobre sitios de trabajo de Ontario

CO
CO₂
NO₂ 5 ppm

100 ppm
15 000 ppm (WSBC)
30 000 ppm (Reg. 833)
1.0 ppm
(WorkSafeBC)
5.0 ppm (Reg. 833)

- Asegúrese de que el flujo de combustión y el intercambio de aire de ventilación no se puedan obstruir.
- A medida que el edificio se "ajusta" durante las fases de construcción, es posible que se necesite aumentar la ventilación.

Olor a gas combustible

El gas propano y el gas natural contienen aromatizantes artificiales agregados específicamente para la detección de fugas de gas combustible.

Si se produce una pérdida de gas, debería ser capaz de oler el gas combustible. ESA SERÁ LA SEÑAL PARA ACTUAR DE INMEDIATO.

- No realice acciones que puedan encender el gas combustible. No accione interruptores eléctricos. No tire de cables de corriente ni alargues. No encienda fósforos ni ninguna otra fuente de fuego. No use su teléfono.
- Haga que todos salgan del edificio y que se alejen del área inmediatamente.
- Cierre todas las válvulas de suministro de combustible.
- El gas propano es más pesado que el aire y puede asentarse en áreas bajas. Cuando tenga motivos para sospechar que existe una fuga de gas propano, manténgase alejado de todas las áreas bajas.
- Use el teléfono de un vecino y llame a su proveedor de gas combustible y a su departamento de bomberos. No vuelva a entrar al edificio o al área.
- Permanezca fuera del edificio y alejado del área hasta que los bomberos y su proveedor de gas combustible la declaren segura.
- POR ÚLTIMO, deje que el experto en servicio de artefactos de gas combustible y los bomberos realicen una inspección en busca de gas. Solicite que ventilen el edificio y el área antes de que vuelva a entrar. Técnicos de mantenimiento adecuadamente capacitados deben reparar la fuga, controlar que no haya otras fugas, y volver a encender el calefactor.

El olor se disipa; no se detecta olor

- Algunas personas no tienen un buen olfato. No pueden percibir el olor del químico artificial agregado al gas propano o natural. Debe determinar si es capaz de sentir el aromatizante que se agrega a estos gases combustibles.
- Aprenda a reconocer el olor del gas propano y del gas natural. Los vendedores locales de gas propano y su proveedor local de gas natural (empresa de servicio público) estarán más que contentos de proporcionarle un folleto del tipo "raspe y huele". Úselo para familiarizarse con el olor del gas combustible.
- Fumar puede disminuir su capacidad para oler. Estar en contacto con emanaciones de olor durante un tiempo determinado también podría afectar su sensibilidad a ese olor en particular.

- El aromatizante del gas propano y el gas natural es incoloro y la intensidad de su olor puede dispersarse en algunas circunstancias.
- Si hay una fuga subterránea, el paso del gas a través del suelo puede filtrar el aromatizante.
- La intensidad del olor del gas propano puede diferir en intensidad en diferentes niveles. Dado que el gas propano es más pesado que el aire, puede haber más olor en niveles más bajos.
- Siempre tome en serio la más mínima presencia de olor a gas. Si aún detecta algún tipo de olor a gas, no importa lo poco que sea, trátelo como si fuera una fuga seria. Actúe de inmediato, como se explicó anteriormente.

¡Atención! Puntos críticos que debe recordar.

- El gas propano y tiene un olor característico. Aprenda a reconocer estos olores. (Consulte las secciones previas: "Olor a gas combustible" y "El olor se disipa").
- Si usted no ha sido capacitado apropiadamente en la reparación y el mantenimiento
- Aunque no cuente con capacitación para el mantenimiento y la reparación de calefactores, SIEMPRE debe reconocer el olor del gas propano y el gas natural.

Una prueba de detección activa alrededor del calefactor o en las juntas de este; es decir manguera, conexiones, etc., es una buena práctica de seguridad. Si huele aunque sea una cantidad muy pequeña de gas, LLAME INMEDIATAMENTE A SU PROVEEDOR DE GAS COMBUSTIBLE. NO DEJE PASAR TIEMPO.

1. No intente instalar, reparar ni arreglar este calefactor o la línea de suministro de gas a menos que se capacite de manera continua con expertos y tenga conocimientos sobre calefactores a gas.

REQUISITOS PARA REALIZAR SERVICIO Y LA INSTALACIÓN:

- a. Para ser una persona calificada en mantenimiento de calefactores a gas, debe contar con suficiente capacitación y experiencia para manejar todos los aspectos de la instalación, reparación y arreglo de la instalación del calefactor a gas. Esto incluye la tarea de instalación, resolución de problemas, reemplazo de piezas defectuosas y prueba del calefactor. Debe poder instalar el calefactor de manera que ofrezca un funcionamiento seguro y normal continuo. Debe familiarizarse completamente con cada modelo de calefactor mediante la lectura y el cumplimiento de instrucciones de seguridad, etiquetas, manual del usuario, etc. que se proveen con cada calefactor.

b. Para ser una persona calificada para hacer instalaciones de gas, usted debe contar con suficiente capacitación y experiencia para manejar todos los aspectos de la instalación, reparación y modificación de líneas de gas, incluidas la selección e instalación del equipo apropiado, y la selección del tamaño adecuado de tubería y tanque que se utilizará. Esto debe realizarse conforme a los códigos locales, estatales y nacionales, además de los requisitos del fabricante.

c. En el estado de Massachusetts, la instalación de este producto debe estar a cargo de un instalador de gas autorizado en dicho estado.

2. Todas las instalaciones o aplicaciones de los calefactores de L.B. White deben cumplir con todos los códigos locales, estatales y nacionales. Incluidos los códigos de electricidad, de gas natural y gas PL, y de seguridad Su proveedor local de gas combustible, un electricista local autorizado, el departamento de bomberos local u organismos gubernamentales similares, o su agente de seguros pueden ayudarlo a determinar cuáles son los requisitos de los códigos.

Consulte lo siguiente:

Instalaciones en los Estados Unidos:

- ANSI/NFPA 58 (última edición); estándar para el almacenamiento y la manipulación de gases licuados de petróleo o
- ANSI Z223.1/NFPA 54, Código nacional de gas combustible
- ANSI/NFPA 70, Código nacional de electricidad.

Instalaciones en Canadá:

- CSA B149.1 Código de instalación de gas natural y propano.
- CSA C22.1 Parte 1, Código de electricidad de Canadá estándar.

3. La empresa no puede prever todos los usos que se les pueden dar a nuestros calefactores. Otros estándares rigen el uso de gases combustibles y productos de calefacción en aplicaciones específicas. Su autoridad local puede asesorarlo respecto de estos. Consulte a la autoridad local contra incendios si tiene preguntas sobre las aplicaciones.

4. No lave el interior del calefactor. Use solamente aire comprimido, un cepillo suave o un paño seco para limpiar el interior del calefactor y sus componentes.

5. Por motivos de seguridad, este calefactor está equipado con un interruptor de límite superior de restablecimiento manual, un interruptor de comprobación de aire y una válvula de control de gas redundante. Nunca haga funcionar el calefactor con dispositivos de seguridad desactivados. No haga funcionar el calefactor a menos que todas estas características estén en pleno funcionamiento.

6. No ubique contenedores de gas combustible ni mangueras de suministro de combustible dentro de un radio de 20 ft/6,10 m de la salida del soplador del calefactor.

7. No bloquee las entradas de aire ni las válvulas de descarga del calefactor. Si lo hiciera, podría producir una combustión

inadecuada o daños en los componentes del calefactor, lo que provocaría daños materiales.

8. El conjunto de la manguera deberá inspeccionarse visualmente a diario después de la reubicación del calentador y cuando el calentador esté en uso. Si es evidente que hay abrasión o desgaste excesivo, o si la manguera está cortada, se debe reemplazar antes de poner en funcionamiento el calentador. El conjunto de la manguera debe protegerse de los materiales de construcción y del contacto con superficies calientes durante su uso. El conjunto de manguera de repuesto debe ser el especificado por el fabricante. Ver lista de piezas.
9. El calentador Premier 350DF 2.0 está equipado con una válvula selectora de gas. La válvula selectora debe estar colocada correctamente para el gas suministrado al calentador. Se proporciona más información sobre esta función en la página 15 de este manual.
10. Verifique si hay fugas de gas y si funciona correctamente al instalar el calentador, al reubicarlo y después del servicio. Consulte las instrucciones de verificación de fugas en la sección de instalación de este manual.
11. Este calentador debe ser inspeccionado para verificar que funcione correctamente por un técnico calificado antes de cada uso y al menos una vez al año.
12. Siempre apague el suministro de gas al calentador si el calentador no se va a utilizar para calentar el espacio de trabajo.
13. Este calentador está equipado con un (conexión a tierra) receptáculo macho para su protección contra el peligro de descargas eléctricas y debe enchufarse directamente a un cable de extensión de tres clavijas debidamente conectado a tierra. Si no utiliza un cable de extensión debidamente conectado a tierra, puede provocar una descarga eléctrica, lesiones personales o la muerte.
14. Si se interrumpe el flujo de gas y se apaga la llama, no vuelva a encender el calentador hasta que esté seguro de que todo el gas que pueda haberse acumulado se haya eliminado. En cualquier caso, no vuelva a encender el calentador durante al menos 5 minutos.
15. El calentador requiere un tanque de propano mínimo de 500 galones / 1892 litros para la presión y el funcionamiento adecuados del suministro de gas. Es posible que se requiera un tanque más grande dependiendo de las condiciones de operación en el sitio.
16. Cuando el calentador se va a almacenar en el interior, la conexión entre el (los) cilindro (s) de suministro de gas propano y el calentador debe desconectarse y los cilindros deben retirarse del calentador y almacenarse de acuerdo con la Norma para el almacenamiento y manipulación de gases licuados de petróleo, ANSI / NFPA 58 o Código de instalación de gas natural y propano estándar CSA B149.1, según corresponda

17. El calentador debe ubicarse al menos a 6 pies (1.83 m) en los EE. UU.; o 10 pies (3 m) en Canadá desde cualquier contenedor de gas propano.
18. Los contenedores de suministro de gas propano tienen roscas hacia la izquierda. Utilice siempre la llave correcta para realizar una conexión a fin de ajustar o aflojar el adaptador POL del conector flexible en la válvula de suministro de gas del contenedor.
19. Para uso en interiores o al aire libre. Se proporcionará una ventilación adecuada de acuerdo con OSHA 29 CFR 1926.154, Requisitos de seguridad para dispositivos y equipos de calefacción portátiles y temporales, ANSI A10.10, Código nacional de gas combustible, ANSI Z223.1 / NFPA54, Código de gas licuado de petróleo, NFPA 58 o el Código de instalación de gas natural y propano, CAN B149.1, según corresponda.

Solo se usarán los accesorios de conductos y distribución de aire suministrados y especificados por el fabricante del calentador.

- Conducto de 18 in/43,7 cm de diámetro x 12 ft/3,66 m: Pieza n.º 500-22835
- Difusor de extremo: Pieza n.º 500-23189

NO USE NINGUNA OTRA LONGITUD DE CONDUCTO NI CONDUCTOS FABRICADOS EN EL CAMPO, LONAS, TUBOS DE COCINA, ETC. EN ESTE CALEFACTOR.

- Al usar los conductos, asegúrese de mantener en un mínimo la cantidad de codos.
- La reducción de la cantidad de codos garantiza que el aire caliente que sale del calefactor fluya libremente, con lo que se evita un sobrecalentamiento. Si hay una cantidad excesiva de codos, se pueden abrir los interruptores de límite superior.

Instrucciones generales de instalación



ADVERTENCIA

Peligro de quemaduras

Puede causar daños materiales, lesiones graves o la muerte.

1. A fin de evitar la acumulación peligrosa de gas combustible, corte el suministro de gas en la válvula de servicio del artefacto antes de comenzar la instalación y lleve a cabo una prueba de fugas de gas después de realizar la instalación.
2. No fuerce la perilla de control de gas. Use solamente la mano para girar esta perilla. Nunca use herramientas. Si la perilla no funciona manualmente, el control debe ser reemplazado por un técnico de servicio calificado. El uso de fuerza o un intento de reparación puede provocar un incendio o una explosión.

1. Lea todas las precauciones de seguridad y siga las recomendaciones de L.B. White cuando instale este calefactor. Si durante la instalación o la reubicación del calefactor sospecha que una pieza está dañada o defectuosa, llame a un taller de mantenimiento calificado para que la repare o reemplace.

2. Asegúrese de que el calefactor esté nivelado (use un nivel) y correctamente posicionado antes de usarlo. Respete todas las distancias seguras mínimas del calefactor a los materiales combustibles más cercanos. Las distancias seguras se indican en la placa de datos del calefactor y en la página 4 de este manual.

3. Este calentador puede instalarse en interiores o exteriores y está aprobado para su uso con o sin conductos. Para la instalación en exteriores, se necesitan accesorios adicionales para proporcionar adecuadamente aire caliente al interior.

4. Los calefactores que se utilicen cerca de lonas, telas, plásticos, barreras contra el viento o protecciones similares, deben ubicarse al menos a 10 ft/3,05 m de dichas protecciones. Las protecciones se deben sujetar firmemente a fin de evitar que se prendan fuego o alteren el funcionamiento del calefactor por la acción del viento sobre la protección u otro material.

5. Verifique todas las conexiones en busca de fugas de gas mediante detectores de fugas de gas aprobados. La prueba de fugas de gas se realiza de la siguiente manera:

- Compruebe las conexiones de tuberías y mangueras, los conectores y los adaptadores del control de gas con detectores de fugas de gas aprobados.



ADVERTENCIA

Peligro de incendio y explosión

- No use llamas (fósforos, sopletes, velas, etc.) para comprobar si hay fugas de gas.
- Use únicamente detectores de fugas de gas aprobados.
- La inobservancia de esta advertencia puede derivar en situaciones de incendios o explosiones.
- Los incendios o las explosiones pueden ocasionar daños materiales, lesiones o la muerte.

- Si se detecta una fuga de gas, verifique que los componentes estén limpios y que el compuesto de tubería se haya aplicado correctamente antes de continuar con el ajuste.

- Además, ajuste las conexiones de gas según sea necesario para detener la fuga.

- Luego de verificar todas las conexiones y detener las fugas, encienda el quemador principal.

- Manténgase lejos mientras se enciende el quemador principal para evitar lesiones causadas por fugas escondidas que podrían provocar el retroceso de la llama.

- Con el quemador principal funcionando, verifique las conexiones de tuberías y mangueras, los conectores y las juntas, además de la entrada de la válvula de control de gas y las conexiones de salida con detectores de fugas de gas aprobados.
 - Si se detecta una fuga de gas, verifique que las roscas de los componentes estén limpias y que el compuesto de tubería se haya aplicado correctamente antes de continuar con el ajuste.
 - Ajuste la conexión de gas según sea necesario para detener la fuga.
 - Si fuera necesario, reemplace las piezas o componentes pertinentes si no puede detenerse la fuga.
 - Asegúrese de que se hayan identificado y reparado todas las fugas antes de proceder.
6. Una vez instalado el calefactor, en un taller de mantenimiento calificado se debe verificar que la presión de gas de funcionamiento sea adecuada.
 7. Encienda el calefactor según las instrucciones que se encuentran en este manual o en el manual del usuario.
 8. Compruebe que el calefactor cuente con el regulador de gas adecuado para la aplicación. Se debe conectar un regulador al suministro de gas de modo que la presión de gas en la entrada a la válvula de gas esté regulada dentro del rango especificado en la placa de datos en todo momento.
 - El regulador complementado con el calentador Premier 350DF 2.0 es adecuado para usar con gas propano y gas natural.
 - Comuníquese con su proveedor de gas o con L.B. White Co., LLC. Si tienes alguna pregunta.
 9. El calefactor debe instalarse de modo que no interrumpa ni obstruya las salidas normales, las salidas de emergencia, las puertas ni las pasarelas.
 10. Se deben usar rejas, vallas o materiales adecuados a fin de mantener el equipo de calefacción alejado de las personas que usen y visiten la estructura.
 11. Se debe ubicar el calefactor de manera que el drenaje de lluvia, hielo o nieve de la estructura no afecte el funcionamiento del equipo. Si el calefactor se monta afuera, se lo debe montar por encima de cualquier acumulación de agua o agua estancada. Si la unidad se dispone sobre el suelo, se recomienda usar una zanja circundante a fin de drenar la lluvia, el hielo o la nieve lejos de la unidad.
 12. Cuando se utilice el calefactor en exteriores, se deberán eliminar del suelo y el terreno circundante la vegetación y otros materiales inflamables.
 13. Eventualmente, como ocurre con todos los dispositivos eléctricos/mecánicos, el termostato puede fallar. Una falla en el termostato puede hacer que la calefacción resulte insuficiente. Se debe probar el termostato para comprobar que encienda y apague el calefactor con una diferencia de temperatura de $\pm 3^{\circ}\text{F}$ ($\pm 1,5^{\circ}\text{C}$).
 14. Tómese el tiempo necesario para aprender a hacer funcionar y mantener el calefactor usando el manual del usuario. Asegúrese de conocer la manera de cerrar el suministro de gas del edificio y también del calefactor. Contáctese con su proveedor de gas combustible si tiene alguna duda.
 15. Cualquier defecto que encuentre al realizar cualquiera de los procedimientos de mantenimiento debe eliminarse y las piezas defectuosas deben reemplazarse de inmediato. El calefactor debe ser sometido a pruebas nuevamente por personal de servicio calificado antes de su reutilización.

Tamaño del suministro de gas

La vaporización del propano se ve afectada por numerosos factores: la superficie del contenedor, el nivel líquido del propano, la temperatura alrededor del contenedor y la humedad relativa. Todos estos factores son específicos para el lugar de trabajo. Por lo tanto, se requiere determinado nivel de experiencia y criterio para seleccionar el suministro de propano adecuado.

Si bien la experiencia es la mejor guía, se pueden aplicar las recomendaciones siguientes como punto de partida. La tabla se basa en experiencias en regiones climáticas septentrionales, en las cuales se imponen condiciones de frío y humedad elevada en el invierno. Si se imponen condiciones más o menos favorables en un lugar de trabajo específico, se pueden realizar ajustes tomando como base la experiencia.

Suministro de gas recomendado

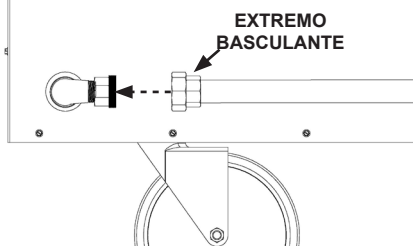
TAMAÑO DEL TANQUE	CALEFACTORES/ TANQUE
500 galones /1892 litros	1
1000 galones /3784 litros	2

Si se utiliza más de un contenedor de suministro de gas por calefactor, los contenedores deben conectarse entre sí mediante un colector a fin de permitir la extracción del vapor de manera simultánea desde múltiples contenedores. El sistema del colector debe cumplir con la norma NFPA 58 o CSA B149.1.

Conexión de la manguera al calefactor

1. Enrosque el extremo basculante en el conector de la entrada de gas del calefactor. Vea la Fig. 1. Ajustelo bien.
2. La manguera puede enrollarse y colgarse en el soporte para manguera, con el regulador dentro del soporte de almacenamiento del regulador.

FIG. 1



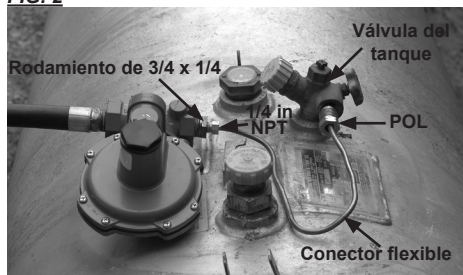
L.B. WHITE® LINK™

(Se vende por separado,
500-133225)

El Premier 350DF 2.0 está configurado de fábrica para ser L.B. White LINK Ready.

Para obtener más información sobre L.B. White Sistema LINK, póngase en contacto con su L.B. White Distribuidor. También puede llamar al L.B. White Company, LLC al 1-800-345-7200.

FIG. 2



3. Forme con precaución el conector para garantizar que el regulador quede sostenido por el tanque y la tapa de la válvula del tanque protegerá el regulador de las condiciones climáticas..
4. Enrosque el adaptador POL del conector en el sentido opuesto al de las agujas del reloj en la válvula del tanque. Ajustelo bien. Consulte la Fig. 2.
5. Abra la válvula del tanque.
6. Verifique todas las conexiones con un detector de fugas aprobado. Cierre la tapa del tanque.
7. Cuando se almacene o transporte el calefactor, se debe garantizar que el adaptador del conector esté protegido contra daños y contra la entrada de suciedad.

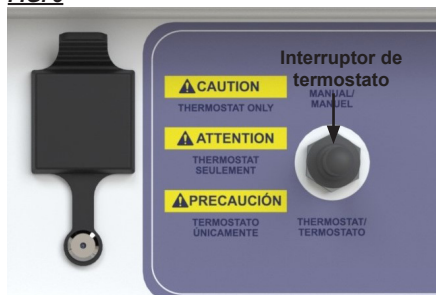
CUANDO SE USE GAS NATURAL:

- El regulador solo debe usarse si la presión de suministro de gas hacia el calefactor supera la presión de entrada máxima que se indica en la placa de datos del calefactor.
- Conecte el regulador tal como se proporciona con el calefactor a la línea de suministro de gas natural con las conexiones adecuadas. (NO USE EL CONECTOR POL/ FLEXIBLE PARA INSTALACIONES DE GAS NATURAL).
- La presión de suministro de gas al regulador debe ser de un mínimo de 2 PSI/13,7 kPa.

Termostato

Si no se necesita o requiere un termostato, seleccione Configuración manual en el interruptor del termostato. Vea la figura 3.

FIG. 3



Si se requiere un termostato, seleccione la configuración del termostato en el interruptor y retire la tapa de salida del termostato. Enchufe el cable del termostato en el receptáculo de salida del termostato. Vea la Fig. 4. Use SOLO L.B. Cable termostato blanco con enchufe. NO use un enchufe de termostato en línea cuando lo conecte al tomacorriente del termostato.

FIG. 4



* SIEMPRE cubra la salida del termostato cuando no esté en uso.

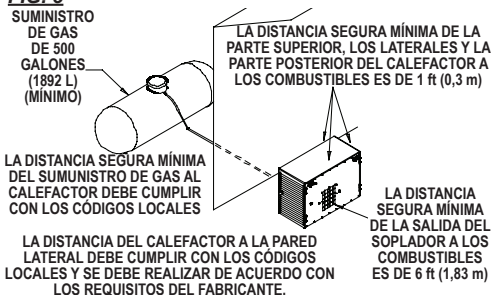
* NO enchufe un aparato en la toma del termostato.

* NO enchufe el cable del termostato en un tomacorriente.

Instalación del calefactor

Estructura interior

FIG. 5



Estructura exterior

(Accesorios de distribución de aire: no se proporcionan con el calefactor).

A. Juego de conductos flexibles

Número de pieza: 500-22835 (18 in x 12 ft/46 cm x 3,65 m)

1. Extienda el juego de conductos a una longitud de 12 ft/3,6 m.
2. Monte el conducto en una salida de soplador del calefactor. Para ello, inserte las aletas del adaptador del conducto en las ranuras verticales y horizontales que se encuentran en la parte superior y en los laterales de la salida del soplador. Vea la Fig. 6 Empuje el adaptador del conductor para asegurar el adaptador en las ranuras. Vea a continuación una instalación típica de un calefactor colocado en el exterior.

Se puede utilizar un máximo de tres (3) conductos de 12 pies x 18 pulgadas (3,65 m x 46 cm) por calentador. NO coloque un difusor final cuando utilice tres conductos. Consulte la Fig. 7 para una instalación típica.

FIG. 6

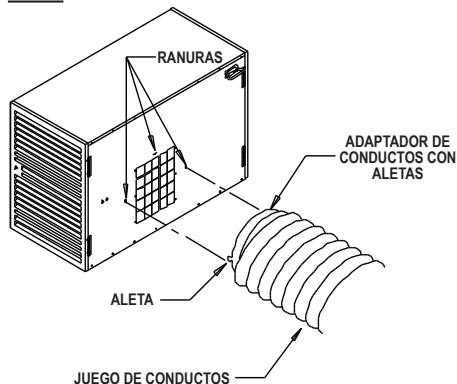
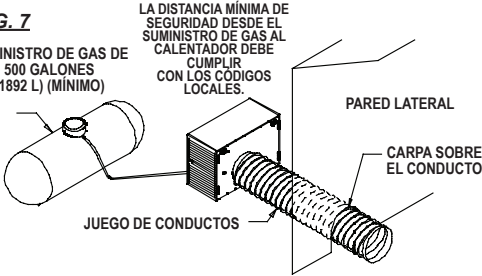


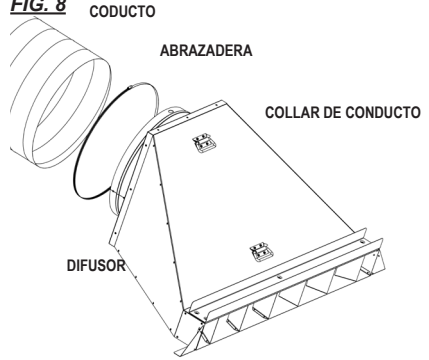
FIG. 7

SUMINISTRO DE GAS DE 500 GALONES (1892 L) (MÍNIMO)



LA DISTANCIA DEL CALENTADOR A LA PARED LATERAL DEBE CUMPLIR CON LOS CÓDIGOS LOCALES Y SEGÚN LOS REQUISITOS DEL FABRICANTE.

FIG. 8



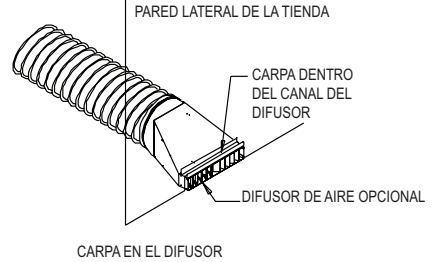
B. Difusor de extremo

Número de pieza: 500-23189

1. Afloje el tornillo de la abrazadera del conducto para que la abrazadera se coloque fácilmente sobre las nervaduras al final del conducto flexible.
2. Deslice el conducto sobre el collar del difusor del extremo y apriete la abrazadera para sujetar firmemente el conducto sobre el collar. Ver Fig.8

3. Ubique el difusor debajo de la pared lateral. Vea la figura 9.

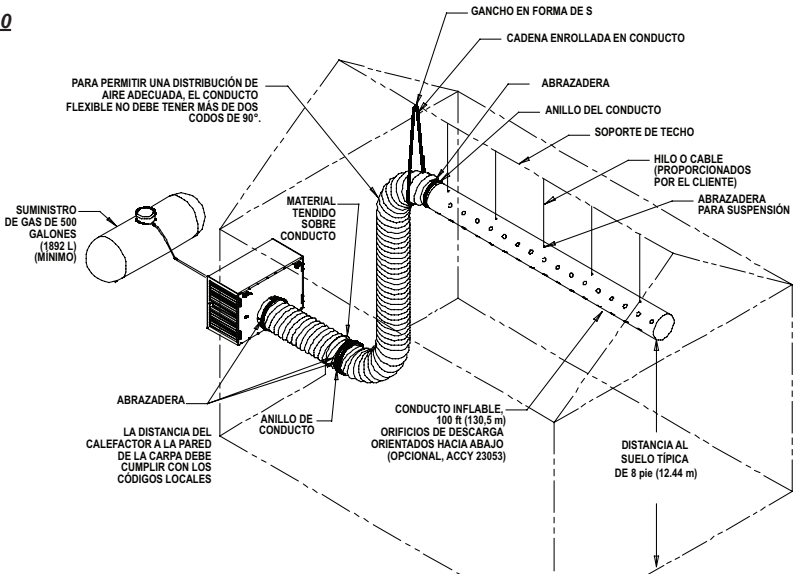
FIG. 9



C. Conductos inflables

Si usa conductos inflables, use solamente dos conductos flexibles. Vea la Fig. 10.

FIG. 10



Instrucciones de puesta en marcha

Para una puesta en marcha normal:

Conecte un cable eléctrico aprobado al tomacorriente macho.

A. Operación en modo de calefacción

a. Abra todas las válvulas manuales de suministro de combustible. Compruebe si hay fugas de gas con un detector de fugas aprobado.

b. Coloque el interruptor selector en calentar.

Vea la figura 11.

FIG. 11



c. El motor del ventilador arrancará, el encendedor chispeará y se producirá el encendido.

d. Si se usa un termostato, encenderá y apagará el calentador según el punto de ajuste de temperatura.

ATENCIÓN

- Es normal que quede aire atrapado en la manguera de gas en instalaciones nuevas. El calentador puede intentar más de una prueba de encendido antes de que finalmente se purgue el aire de la línea y se produzca el encendido.

Cuando el interruptor está en calefacción, se activarán tres luces de estado (consulte la Fig. 12) en secuencia a medida que el control de encendido verifica circuitos específicos. Si el calentador no se enciende y una luz de estado está apagada, consulte la guía de solución de problemas o el código QR en este manual.

FIG. 12



B. Operación del modo de ventilación

Cuando el interruptor selector esté en posición de ventilación, ninguna de las luces de estado estará ENCENDIDA. El motor del ventilador arrancará, pero el encendedor no producirá chispas ni se producirá ignición. Esta característica se utiliza sólo cuando se requiere circulación de aire. El calentador no realizará ciclos según la configuración del termostato. Para suspender la función de ventilación, coloque el interruptor en apagado o en calefacción.

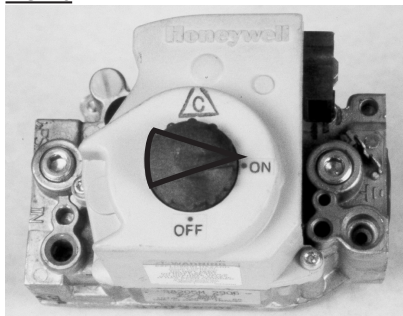
C. Desactivado O

- Coloque el interruptor en el punto medio. O

Válvula de control de gas

- El control de gas es una válvula de diseño de una sola etapa. Cuando se aplican 24 VCA a la válvula, se abre y entrega una salida de gas completa.
- La válvula de control de gas tiene una función de cierre manual incorporada en el conjunto de la válvula. Asegúrese de que el indicador esté en la posición de ENCENDIDO. Vea la figura 13.

FIG. 13



- No exceda el valor de entrada que se indica en la placa de datos ni la presión del orificio del quemador recomendada por el fabricante para los orificios empleados. Compruebe que el suministro de aire primario del quemador principal esté abierto y libre de polvo, suciedad y residuos para una combustión completa y adecuada.

Instrucciones de apagado

Si se debe apagar el calefactor para limpieza, mantenimiento o reparación, siga los pasos 1-5. De lo contrario, ajuste el termostato a una temperatura más baja que la temperatura ambiente para un apagado estándar. No apague el calefactor con el interruptor selector. Si lo hace, se interrumpirá la corriente al calefactor y no se podrá enfriar la cámara de calor. El interruptor de límite superior del extremo del quemador se activará.

1. Cierre la válvula de suministro de gas.
2. Permita que el calefactor quemé el gas combustible que quede en la línea de suministro.
3. Ajuste el termostato por debajo de la temperatura ambiente. Cuando el termostato apague el quemador, el motor del ventilador continuará funcionando durante un minuto, lo que permitirá el enfriamiento de la cámara de calor. Después de un minuto, el motor del ventilador se apagará.
4. Ubique el interruptor selector en la posición de apagado O.
5. Desconecte el calefactor del suministro eléctrico y de gas.

Válvula selectora de gas

Este calentador se envía de fábrica con la válvula selectora de combustible en la posición de gas propano (LP). Asegúrese de que el mango de la válvula selectora de combustible esté colocado correctamente para el combustible que se está utilizando.

1. Esta función permite que el calefactor funcione con gas natural o propano sin modificar el orificio del quemador. La válvula selectora de gas se encuentra entre la válvula de control de gas y el quemador. La selección de gas se realiza mediante la reubicación de la manija de la válvula. **ESTA NO ES UNA VÁLVULA DE CIERRE DE GAS MANUAL.**
2. Consulte las Fig. 14 y 15. La manija de la válvula debe posicionarse de manera adecuada según el tipo de gas específico que se use. De lo contrario, se puede ocasionar una condición de calentamiento insuficiente o recalentamiento de la unidad.

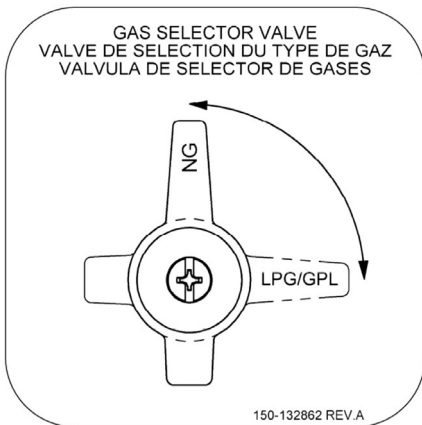
FIG. 14



FIG. 15



3. Para el correcto funcionamiento, la manija debe posicionarse totalmente a 90° (gas propano) o en sentido paralelo al flujo de gas (gas natural). No haga funcionar el calefactor con la manija de la válvula entre una de las posiciones. De lo contrario, el funcionamiento será incorrecto.



150-132862 REV.A

Instrucciones de limpieza



ADVERTENCIA

Peligro de incendio, quemaduras y explosión

- Este calefactor contiene componentes eléctricos y mecánicos en los sistemas de administración de gas, seguridad y flujo de aire.
- Estos componentes pueden dejar de funcionar o experimentar fallas debido a factores como el polvo, la suciedad, el desgaste, el envejecimiento o los ambientes corrosivos de los edificios destinados a animales.
- La limpieza e inspección periódicas, así como un mantenimiento adecuado, son fundamentales para prevenir lesiones graves o daños materiales.

1. Antes de la limpieza, apague todas las válvulas de suministro de gas y desconecte el suministro eléctrico.

2. Se debe eliminar el polvo o la suciedad del calefactor periódicamente:

- a. Antes de cada uso, realice una limpieza general del calefactor aplicando aire comprimido, un cepillo suave o un paño seco a la caja y los componentes internos. Al hacerlo, quite el polvo de la caja del motor para impedir que se recaliente.
- b. Realice una limpieza profunda del calefactor por lo menos una vez al año. Cuando la haga, retire el conjunto del ventilador y el motor, y quite el polvo del conjunto de las aspas del ventilador con un cepillo o mediante soplado. Además, compruebe que no se acumule polvo en los puertos venturi de la entrada de aire del quemador ni en la pieza fundida.



ADVERTENCIA

No use una lavadora a presión, agua ni una solución de limpieza líquida en los controles de gas. El uso de una lavadora a presión, agua o una solución de limpieza líquida en los componentes de control puede causar lesiones graves o daños materiales por acción del agua o de los líquidos:

- En los componentes y los cables eléctricos, pueden causar descargas eléctricas o fallas en los equipos.
- En las válvulas de control de gas, pueden generar corrosión, que a su vez puede ocasionar fugas de gas y, debido a estas, incendios o explosiones.

Limpie todos los componentes del calefactor con aire a presión o un cepillo o paño seco.

Instrucciones de mantenimiento

ANTES DE CADA USO:

- Controle la superficie alrededor del calefactor para garantizar que esté despejada y que no haya en ella materiales inflamables, gasolina u otros líquidos y vapores inflamables.
- Solicite a su proveedor de gas que revise todas las conexiones de gas en busca de fugas o restricciones en las líneas de gas.
- Inspeccione la ventilación del regulador para asegurarse de que esté libre de obstrucciones. Los residuos, los insectos, los nidos de insectos, la nieve o el hielo depositados o acumulados en un regulador pueden obstruir las ventilaciones y generar presión excesiva en el calefactor.
- Controle todos los terminales y los componentes eléctricos relacionados con el cableado dentro del calefactor en busca de corrosión, desgaste o cortes en el aislamiento, desajustes en las conexiones, etc. Realice reparaciones o reemplazos según sea necesario.
- Verifique el conjunto de la manguera después de la instalación y la instalación del calefactor, y cuando este se encuentre en uso. Si hay indicios evidentes de abrasión o desgaste excesivos, o si la manguera está cortada, esta debe reemplazarse antes de hacer funcionar el calefactor nuevamente.
- Controle la correa de transmisión del ventilador del calefactor. Compruebe que la correa no esté agrietada. Si es así, reemplácela. Además, garantice que la correa no se esté deslizando, que la tensión de la correa sea adecuada y que las poleas estén bien alineadas y no estén desgastadas.

- Verifique la legibilidad de todas las indicaciones del calefactor (es decir, diagramas de cableado, advertencias, puesta en marcha, apagado, resolución de problemas, etc.) en el momento del mantenimiento. Asegúrese de que no estén cortadas, rasgadas ni dañadas de otro modo. Comuníquese de inmediato con L.B. White Co., LLC. para reemplazar las indicaciones dañadas. Las placa de datos, las advertencias y las instrucciones de encendido y apagado se encuentran disponibles sin costo.

MENSUALMENTE

- Lubrique los rodamientos una vez por mes. Use litio de aceite mineral NLGI grado 2 o grasa con base de litio.

CADA AÑO:

- Limpie y controle el encendedor y el sensor de llamas en busca de grietas. Reemplace si fuera necesario.

- Los reguladores pueden desgastarse y funcionar de manera incorrecta. Pida a su proveedor de gas que verifique los códigos de fecha que figuran en todos los reguladores instalados y las presiones que llegan al calefactor para asegurarse de que los reguladores sean confiables.
- Pruebe los interruptores de calor de límite superior y restablecimiento manual para garantizar que funcionen correctamente. (Consulte las instrucciones de prueba de este manual para el procedimiento).

Instrucciones de servicio

⚠ ADVERTENCIA Peligro de quemaduras

- Las superficies del calefactor permanecen calientes durante un tiempo luego de que se apaga el calefactor.
- Deje que el calefactor se enfríe antes de realizar tareas de servicio, mantenimiento o limpieza.
- Si no se cumple con esta advertencia, se pueden producir quemaduras.

⚠ ADVERTENCIA Peligro de incendio y explosión

- No desarme ni intente reparar componentes del calefactor o del tren de gas, como las válvulas o las mangueras.
- Todas las piezas deben reemplazarse si se encuentran defectos en ellas.
- De lo contrario, se pueden producir incendios o explosiones que podrían ocasionar daños materiales, lesiones o la muerte.

1. Cierre la válvula de suministro de combustible del calefactor y desconecte el suministro eléctrico antes de realizar el mantenimiento, a menos que lo necesite para el procedimiento de servicio.
2. Limpie el orificio del calefactor con aire comprimido o un paño suave y seco. No use limas, taladros, raspadores, etc. para limpiar el orificio. Esto podría agrandar el orificio y causar problemas de combustión o encendido. Reemplace el orificio si no puede limpiarse adecuadamente.
3. Se pueden probar los interruptores de límite superior, el interruptor de calor/ventilación y el termostato mediante desconectando los cables en el componente y puenteándolos entre sí.
 - Vuelva a conectar el suministro eléctrico y abra las válvulas de suministro de combustible.
 - Si el calefactor se enciende, significa que existen desperfectos en el componente y debe reemplazarse.

- Si la pieza tiene fallas, no deje activo el puente ni haga funcionar el calefactor. Reemplace la pieza de inmediato.
 - Un método alternativo para verificar los componentes consiste en realizar una verificación de continuidad.
4. No se deben aplicar puentes al interruptor de comprobación de aire. De lo contrario, el control de encendido no permitirá el funcionamiento del calefactor. Verifique la continuidad del interruptor de comprobación de aire. Si el interruptor es defectuoso, reemplácelo.
 5. Abra el panel respectivo de la caja para acceder a los componentes relacionados con el ventilador o el quemador.
 6. Para volver a realizar el montaje, invierta el procedimiento de mantenimiento respectivo. Asegúrese de que las conexiones estén bien ajustadas.
 7. Después del mantenimiento, encienda el calefactor para asegurarse de que funcione adecuadamente y verifique que no haya fugas de gas.
 8. Si se pierden llaves del ventilador o las poleas durante el mantenimiento, los reemplazos se hacen con un bloque de material de 3/16 in (4,7 mm) cuadrado x 1 in (2,54 cm). De lo contrario, solicite la pieza n.º 22955.

Reemplazo de la correa

1. Quite la rejilla de protección del calefactor. Consulte la Fig. 16.
2. Gire la polea del ventilador en el sentido contrario a las agujas del reloj levantando con cuidado la correa para que la correa despeje la garganta de la polea del ventilador. Vea la figura 17.
3. Revise las poleas del ventilador y del motor para comprobar que no estén sucias. Limpielas si es necesario.
4. Cuando reinstale la correa, asegúrese de que las flechas estén dispuestas en sentido antihorario. Vea la Figura 18.

FIG. 16

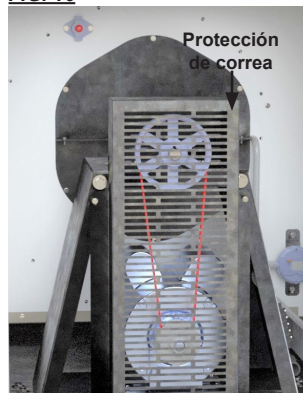
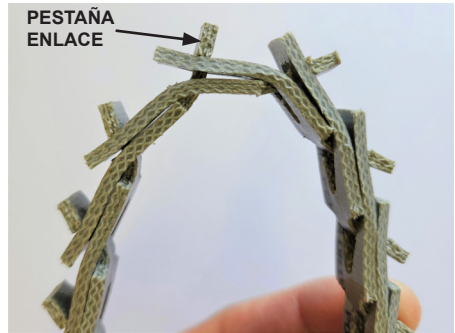
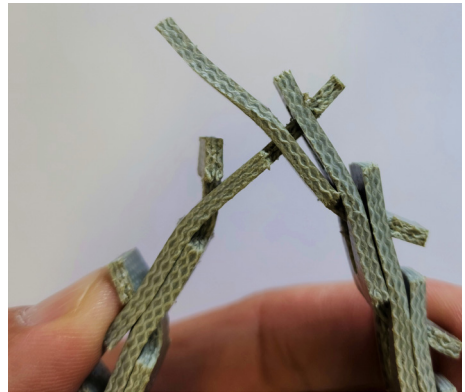


FIG. 17



4. Gire la pestaña 90° paralela a la ranura.
5. Tire del extremo del enlace sobre la pestaña.

FIG. 18



6. Gire el extremo del cinturón con la pestaña 90°.
7. Pase el extremo del cinturón a través de los dos eslabones.
8. Retire la pestaña de enlace del cinturón.
9. Para volver a ensamblar, invierta los procesos.
10. Voltee la correa hacia atrás antes de instalarla en las poleas.

Extracción del enlace de la correa

El uso prolongado puede hacer que la correa se afloje ya sea en la polea del ventilador o en la polea del motor. Es posible que sea necesario reducir la conexión de la correa.

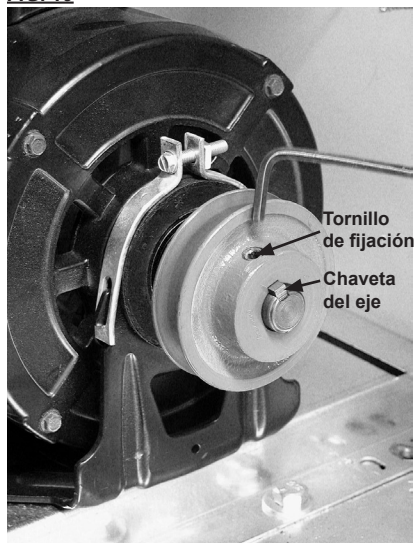
1. Retire la correa según el procedimiento de reemplazo de la correa.
2. Voltee el cinturón del revés.
3. Sostenga el cinturón boca abajo y dóblelo para exponer la pestaña de enlace.



Poleas del motor y el ventilador

1. Extraiga el protector de correa del calefactor.
2. Extraiga la correa de las poleas. Consulte Reemplazo de la correa
3. Afloje el tornillo de fijación de las poleas del ventilador y el motor con una llave Allen de 9/64 in. Vea la Fig. 19.
4. Extraiga las poleas y las chavetas del motor y el eje del ventilador.

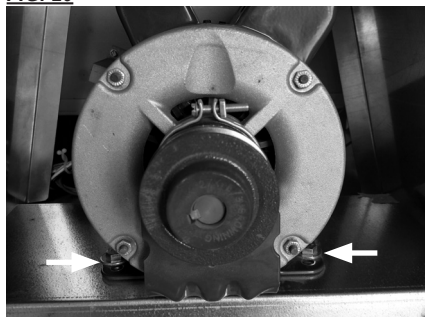
FIG. 19



Motor del ventilador

1. Quite el protector de la correa.
2. Quite la correa del ventilador.
3. Quite los cuatro pernos y arandelas de las bridas de montaje del motor. Consulte la Fig. 20.

FIG. 20



4. Abra el panel de acceso de suministro eléctrico del motor y desconecte los cables de suministro eléctrico. Vea la Fig. 21.

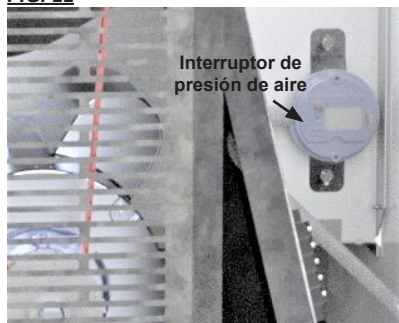
FIG. 21



Interruptor de presión de aire

El interruptor de presión de aire está ubicado en el costado de la carcasa del ventilador, sobre el motor del ventilador, dentro de la puerta con persianas. Vea la Fig. 22.

FIG. 22



1. Desconecte los cables eléctricos del interruptor de presión de aire.
2. Retire los tubos transparentes del interruptor de presión de aire.
3. Quite los tornillos que sujetan el soporte del interruptor al panel de la carcasa del ventilador

Si los contactos del Interruptor de presión de aire se cierran durante una demanda de calor antes de que se encienda el motor del ventilador o no se cierran después de que este se encienda, el encendedor no generará chispas ni se abrirá la válvula de gas.

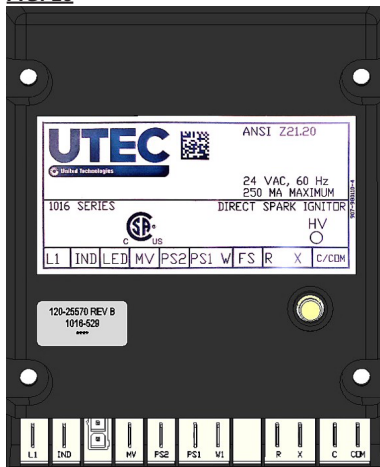
Control de encendido

El control envía y recibe voltajes para operar los componentes o verificar su operación. Consulte la siguiente información y la Fig. 23 para comprender las designaciones de los terminales del control de encendido si realiza verificaciones de voltaje en el control.

- L1:** Tensión de alimentación principal.
- IND:** Tensión de alimentación principal al motor.
- LED:** No utilizado
- MV:** 24 VCA desde el control de encendido a través de ambos interruptores de límite alto hasta la válvula de control de gas.
- PS2:** Retorno de 24 VCA desde el presostato de aire.
- PS1:** 24 VCA al presostato de aire.
- W:** Retorno de 24 VCA desde el interruptor del termostato.
- FS:** Sin terminal.
- R:** 24 VCA al interruptor del termostato
- X:** 24 VCA del interruptor del transformador (sin 24 VCA, el controlador no funcionará).
- C / COM:** Toma de tierra para transformador y control de encendido.

Consulte también la "Secuencia de funcionamiento" de este manual según sea necesario para comprender el funcionamiento del control de encendido durante una llamada de calor.

FIG. 23



Relé

El relé es el responsable del suministro de corriente al motor. Números adyacentes a sus terminales macho para referencia del voltaje recibido y suministrado para la resolución de problemas. Consulte la conexión del cableado y las verificaciones de voltaje en la Fig. 24 y en la siguiente tabla.

Terminal	Función
COM	Contacto de fuente de alimentación
NO	Contacto de retorno de energía
BOBINA	Cierra el contacto, COM y NO

FIG. 24

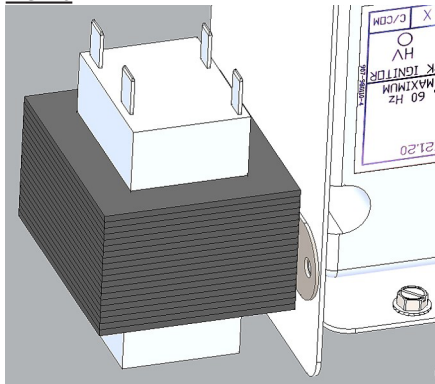


Transformador

El transformador reduce el voltaje del suministro de energía principal FIG. 25 a 24 V de CA para el funcionamiento del control de encendido.

Con un suministro de 24 V de CA del transformador, el control de encendido no funcionará y tampoco lo hará el calefactor.

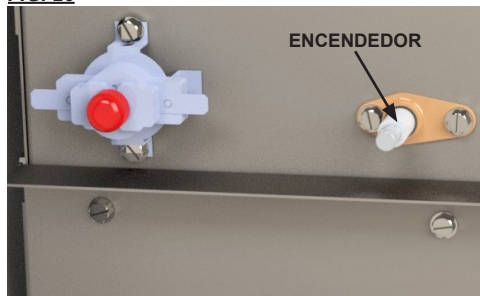
FIG. 25



Conjunto del encendedor

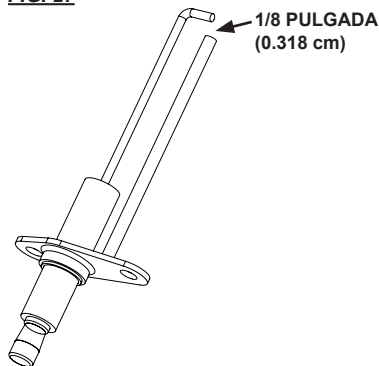
El encendedor está montado en el panel de la cámara de calor.

FIG. 26



1. Desconecte el cable de encendido de alto voltaje del encendedor.
2. Retire los dos tornillos que sujetan el encendedor al panel de chapa.
3. El espacio del encendedor debe ser de 1/8 pulg. (0.318 cm). Consulte la Fig.27.

FIG. 27



Se deben limpiar el encendedor y el vástago de conexión a tierra durante el mantenimiento de rutina para que el encendido sea correcto.

- Use lana de metal o tela de lija.
- Frótelas bien para eliminar la acumulación de polvo, la suciedad y el óxido.
- Verifique la base de cerámica del encendedor en busca de grietas.
- Reemplace el encendedor si se encuentran grietas.

Restablecimiento manual de los interruptores de límite superior



ADVERTENCIA

Peligro de quemaduras

- No haga funcionar el calefactor con el interruptor de límite superior desactivado.
- Si lo hace, se puede generar recalentamiento, lo cual podría derivar en un incendio y, en consecuencia, daños en el calefactor o daños materiales.

Este calefactor tiene dos interruptores de límite. Uno está ubicado en el extremo del quemador del calentador en la cámara de calor. Vea la Fig. 28. El otro interruptor está ubicado en el recinto del ventilador detrás del motor del ventilador. Vea la Fig. 29.

FIG. 28

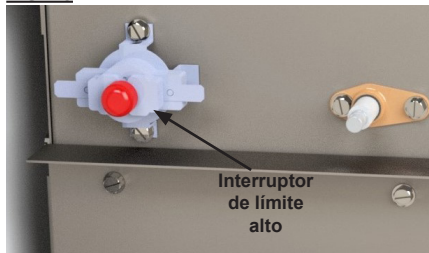


FIG. 29



Su función es apagar el calefactor de manera segura en caso de que este se recaliente.

Límite superior del extremo del quemador:

Protege el quemador y el cableado asociado contra el recalentamiento producido por una presión de gas excesiva.

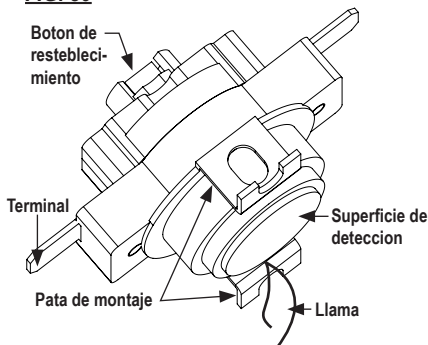
Límite del extremo del motor: Protege contra el recalentamiento si el conducto está retorcido u obstruido, o si la entrada de aire está bloqueada.

Los interruptores están conectados en serie y desconectan la energía a la válvula de control de gas si cualquiera de ellos detecta una condición de recalentamiento.

Ambos interruptores de límite superior se deben probar como mínimo una vez al año cuando se realiza la limpieza profunda del calefactor.

1. Extraiga los interruptores de límite alto del calefactor. Extraiga también la tapa roja de ambos interruptores.
2. Sosteniendo un interruptor por una de sus patas de montaje, aplique una llama pequeña solamente a la zona de detección de la parte posterior del interruptor. Vea la Fig. 30. Actúe con precaución para no derretir el recinto de plástico del interruptor durante esta prueba.

FIG. 30



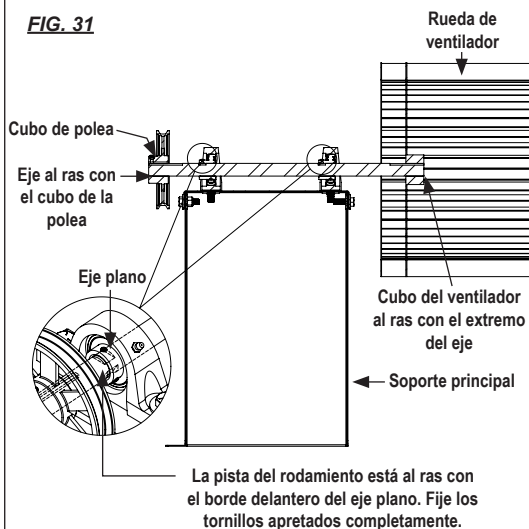
3. En un plazo de un minuto, debería oír que los contactos del interruptor se han abierto.
4. Deje que el interruptor se enfríe durante aproximadamente 1 minuto antes de presionar con firmeza su botón de restablecimiento. Vuelva a colocar la tapa roja en el interruptor.
5. Compruebe la continuidad eléctrica en los terminales del interruptor para asegurarse de que se hayan cerrado los contactos.

Turbina, rodamientos y eje

1. Quite lo siguiente.
 - a. Protector de la correa y correa.
 - b. Pernos y arandelas que aseguran la plataforma del rodamiento en la base del calefactor.
 - c. Tornillos que aseguran el panel del ventilador al recinto del ventilador.
2. Deslice el conjunto completo para extraerlo del calefactor.

- Reemplace los componentes según sea necesario.
- Cuando los reinstale, asegúrese de que el eje del ventilador quede a tope con el cubo del ventilador. Vea la Fig. 29.

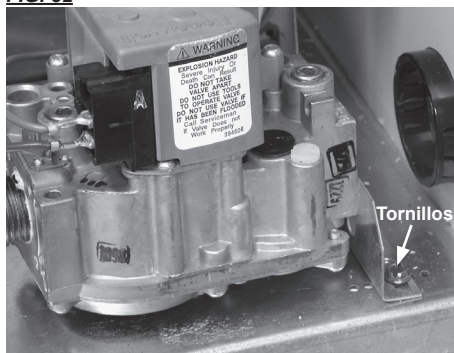
FIG. 31



Orificio del quemador y válvula de control de gas

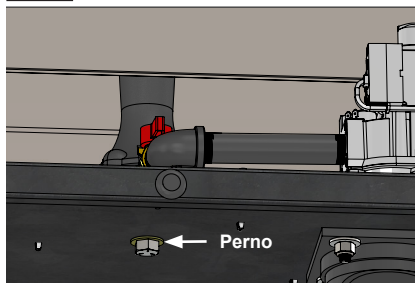
- Extraiga la manguera y el niple del tubo de la entrada de la válvula de control.
- Abra la puerta del extremo del quemador.
- Extraiga los tornillos del bastidor del control de gas y desconecte el cableado eléctrico de la válvula de control. Vea la Fig. 32.

FIG. 32



- Retire el perno de retención del quemador de la parte inferior de la base del extremo de control de gas del calefactor. Vea la Fig. 33.

FIG. 33



- Tire del conjunto del tren de gas para que el orificio quede expuesto. Consulte la Fig. 34. Se necesita reemplazar la válvula de control de gas o el orificio.

FIG. 34



Verificaciones de la presión de gas

⚠ ADVERTENCIA Peligro de quemaduras

- No desarme la válvula de control de gas.
- No intente reemplazar ningún componente de la válvula de control de gas.
- La válvula de control de gas se debe reemplazar si se produce algún daño físico en el conjunto de esta.
- Si no se cumple con esta advertencia, se producirán incendios o explosiones que podrían derivar en situaciones de daños materiales, lesiones o muerte.

ATENCIÓN

- A continuación, se explica un procedimiento típico que se debe seguir para verificar las presiones de gas.
- Las presiones de gas variarán distintas según el tipo de combustible.
- Consulte la placa de datos del calefactor o la página 4 de este manual para hallar las presiones específicas que se deben usar en relación con este procedimiento.
- La presión de gas medida en la entrada de la válvula de gas es la presión de entrada, y la presión de gas medida en la salida de esta es la presión del colector del quemador.

MATERIALES NECESARIOS

Cantidad	Descripción
2	Manómetros para gas con capacidad para leer hasta 35 pulgada de columna de agua/8,7 kPa. (Producto disponible en L.B.White Company si se desea)

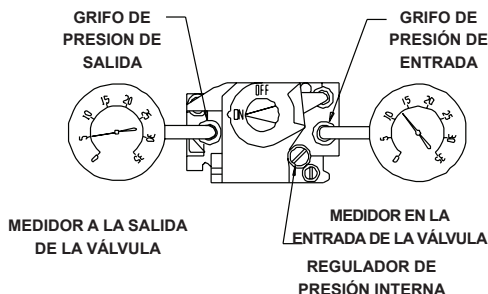
A. Preparación

1. Desconecte el calefactor del suministro eléctrico y cierre la válvula de suministro de combustible al calefactor.
2. Abra el panel de acceso a la caja en el extremo del quemador del calefactor.
3. Cepille o sople el polvo o la suciedad que haya en la válvula de control del gas o cerca de esta.

B. Instalación de los manómetros

1. Ubique la llave de presión de control de gas, consulte la Fig. 35. Retire los tapones de la llave de presión usando una llave allen de 3/16 pulg.
2. Conecte los manómetros en estos puntos de manera segura.
3. Abra las válvulas de suministro de combustible del calefactor y vuelva a conectar el suministro eléctrico del calefactor.
4. Encienda el calefactor.

FIG. 35



C. Lectura de presiones

1. Con el calefactor funcionando, los manómetros deberían indicar las presiones especificadas en la placa de datos.
2. ¿Las lecturas de los manómetros de entrada y salida concuerdan con las que se especifican en la placa de datos? Si así fuera, entonces no se necesitan más verificaciones ni ajustes. Siga a la sección D.
3. Si las presiones de entrada no concuerdan con las que se especifican en la placa de datos, se deberá ajustar el regulador que controla la presión de gas del calefactor.
4. Si la presión de entrada es correcta, pero la presión del colector del quemador no concuerda con la que se especifica en la placa de datos, es necesario ajustar el regulador de presión interno de la válvula de control de gas.
 - Extraiga la tapa del regulador en la válvula de control.
 - Con un destornillador estándar, gire el tornillo de ajuste en el sentido de las agujas del reloj (para aumentar la presión) o en el sentido opuesto (para reducir la presión) hasta que se establezca la presión del colector del quemador.
 - Instale la tapa del regulador.
 - Continúe con FINALIZACIÓN.

D. Finalización

1. Una vez que se confirmen y ajusten de manera adecuada las presiones de entrada y del colector del quemador, cierre la válvula de suministro de combustible del calefactor y deje que este consuma el gas restante en la línea de suministro.
2. Desconecte el calefactor de su suministro eléctrico y cierre la válvula de suministro de combustible.
3. Extraiga los manómetros.
4. Instale los tapones de presión.
5. Abra la válvula de suministro de combustible y reconecte el suministro eléctrico al calefactor. Encienda el calefactor y verifique si hay fugas de gas.
6. Ajuste el termostato en la temperatura deseada.

Guía de resolución de problemas

LEA TODA ESTA SECCIÓN ANTES DE COMENZAR A RESOLVER PROBLEMAS.



ADVERTENCIA

- Este calefactor puede encenderse en cualquier momento.
- Para resolver cualquier problema que presente este sistema, tal vez sea necesario hacer funcionar la unidad con voltaje de línea presente y el gas encendido. Proceda con extrema precaución al trabajar en el calefactor.
- El incumplimiento de esta advertencia podría derivar en situaciones de daños materiales, lesiones o muerte.

En la siguiente guía de resolución de problemas se proporcionan procedimientos para el aislamiento de problemas del equipo. Esta guía está orientada a PERSONAS CALIFICADAS EN MANTENIMIENTO DE CALEFACTORES A GAS. NO INTENTE REALIZAR EL MANTENIMIENTO AL CALEFACTOR A MENOS QUE HAYA RECIBIDO LA CAPACITACIÓN ADECUADA.

SE NECESITA EQUIPOS DE PRUEBA

Se necesitarán los siguientes equipos de prueba para resolver cualquier problema que presente este sistema con el mínimo tiempo y esfuerzo.

- **Multímetro digital:** para medir voltaje de CA y resistencia.
- **Manómetro de presión baja:** para verificar las presiones de entrada y salida de la válvula de control de gas con respecto a los valores de la placa de datos.
- Inspeccione el equipo visualmente en busca de daños evidentes.
- Verifique todo el cableado en busca de conexiones sueltas y desgastadas.

Consulte la secuencia de operación del sistema que se incluye en esta sección para comprender cómo funciona el equipo durante una demanda de calor. Comprender la secuencia de operación del módulo de encendido y los componentes relacionados es fundamental, dado que se asocia directamente con los procedimientos de resolución de problemas suministrados en los diagramas de flujo.

Tres luces verdes se encuentran al lado del interruptor selector. Cada luz se activará en secuencia a medida que el control de encendido verifique el circuito dentro del calentador. Si no se verifica el circuito, esa luz respectiva no se activará. Los problemas más comunes del modo de calefacción se identifican mediante una luz verde que se apaga si ocurre

una falla específica. Sin embargo, también pueden ocurrir otros problemas. Vea lo siguiente.

Identifique el problema específico y luego consulte el diagrama de flujo de solución de problemas correspondiente.

Problemas con el modo de calefacción	Página
El voltímetro no muestra voltaje	26
Luz de estado del transformador no encendida	26
La luz de estado de la presión de aire no está encendida	27
La luz de estado del control de gas no está encendida	28
Todas las luces están encendidas, EXCEPTO la luz de la válvula de gas. El motor del ventilador no funciona, el quemador no se enciende	29
El calefactor se enciende pero no permanece encendido.....	30

Problemas del modo de ventilación 31

Los componentes deben reemplazarse solo después de que se haya completado cada paso y se sugiere el reemplazo en el diagrama de flujo. Consulte las secciones de Servicio según sea necesario para obtener información sobre los procedimientos de desmontaje y reemplazo del componente una vez que el diagrama de flujo identifique el problema.

SECUENCIA DE FUNCIONAMIENTO DEL ENCENDIDO DIRECTO:

- El interruptor selector está en HEAT.
 - Voltímetro activado indicando voltaje al calentador
- La tensión de línea se envía al transformador y al control de encendido (L1).
- El transformador reduce el voltaje de línea a 24 voltios que se envía al control de encendido.
 - La luz del transformador se activa indicando que el control de encendido está recibiendo 24 voltios del transformador.
- El módulo de control de encendido envía 24 voltios al interruptor del termostato.
 - El termostato pide calor o el interruptor del termostato está en la configuración MANUAL
- El termostato envía 24 voltios al control de encendido (W).
- El módulo de control de encendido realiza una autocomprobación de seguridad.
- El control de encendido (PS1) envía 24 voltios al interruptor de presión de aire.
- El control de encendido (IND) envía voltaje de línea al relé del motor.
 - El relé del motor se cierra.
- El motor del ventilador arranca.
- El interruptor de presión de aire se cierra y se devuelven 24 voltios al módulo de control de encendido (PS2).
 - La luz del interruptor de presión de aire se activa, lo que indica que el circuito de presión de aire está funcionando correctamente.
- El control de encendido comienza la secuencia de prueba de encendido.
- El control de encendido envía alto voltaje al electrodo de encendido.
 - El encendedor emite chispas.

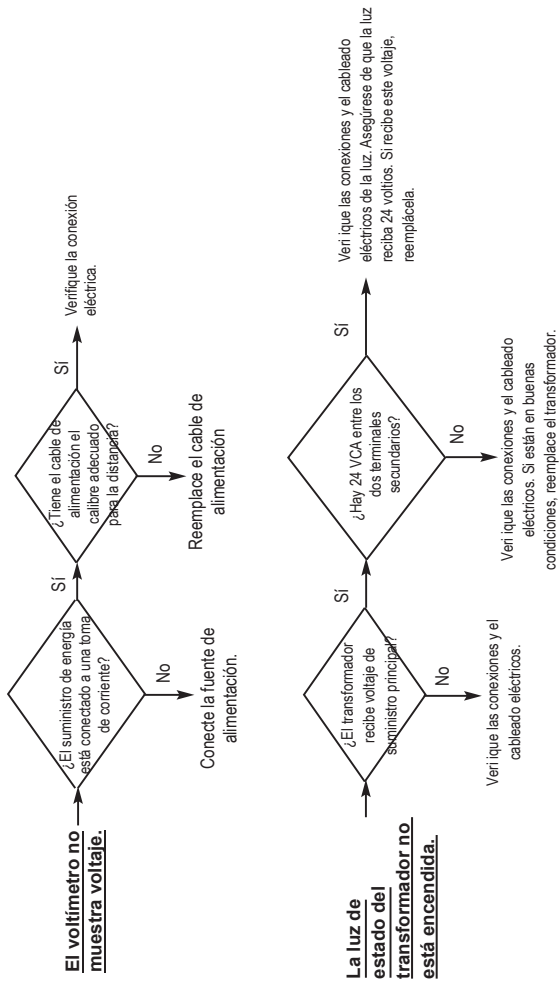
- El control de encendido (MV) envía 24 voltios a la válvula de control de gas a través de los interruptores de límite alto.
 - La luz de la válvula de gas se activa indicando que la válvula de control de gas está recibiendo 24 voltios.
 - Se abre la válvula de control de gas.
 - Ocurre ignición.
 - El encendedor continúa chispeando hasta que ocurre la prueba de llama.
 - Se corta la chispa de encendido.
 - La válvula de gas permanece abierta.
 - La habitación se calienta a la temperatura deseada.
 - El termostato está satisfecho.
 - El control de gas se cierra, el quemador se apaga.
 - El motor del ventilador continúa funcionando durante 1 minuto, enfriando la cámara de calor.
 - El motor del ventilador se detiene.
 - El calentador se apaga.
 - El proceso comienza de nuevo cuando se solicita calor.
- SECUENCIA DE FALLA EN EL ENCENDIDO:**
- La prueba de encendido dura aproximadamente 180 segundos.
 - Si el módulo de encendido no detecta una llama en cada prueba de encendido,
 - La válvula de gas se cierra.
 - La chispa de encendido se apaga.
 - El módulo de encendido se purgará previamente durante 60 segundos antes de otra prueba de encendido.
 - Si el encendido no se establece dentro de las 3 pruebas de encendido, el módulo entra en bloqueo de seguridad.
 - El motor del ventilador se detiene.
 - Para volver a intentar el encendido, los sistemas deben reiniciarse:
 - Baje y suba el termostato para pedir calor o desenchufe el calentador y vuelva a enchufarlo o
 - Coloque el interruptor selector en apagado y luego de nuevo en encendido.

Resolución de problemas de los componentes del impulsor del ventilador

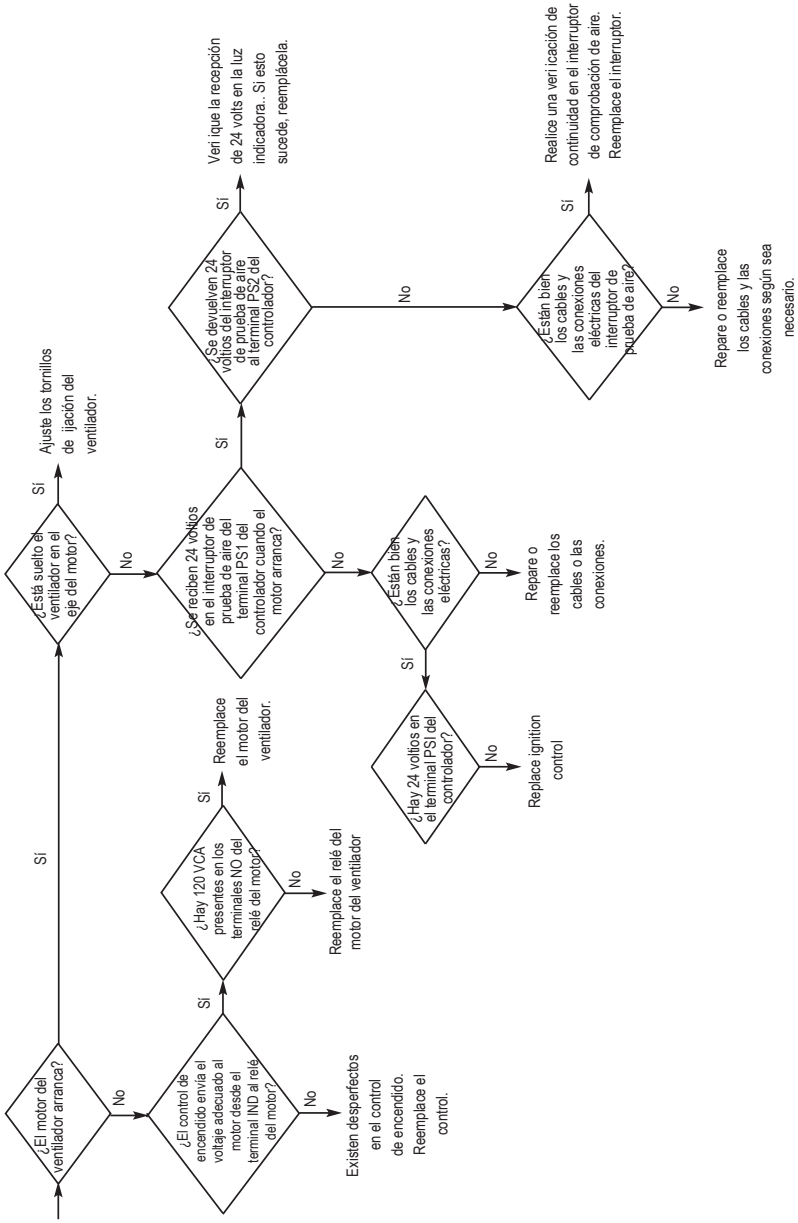
PROBLEMA	CAUSA	SOLUCIÓN
La correa patina	Poleas desgastadas (las correas sobresalen en las ranuras) Aceite o grasa en la correa	Reemplace las poleas Limpie las poleas o la correa
La correa se rompe	Instalación incorrecta de la correa	La correa se sacó sobre las poleas con herramientas afiladas o en punta. Coloque correctamente la correa nueva.
La correa se sale de la polea ranuras	El impulsor está mal alineado Ingresa suciedad a la polea La correa pega en el protector	Controle y vuelva a alinear Extraiga la correa, limpie las poleas Realinee el protector (compruebe que no haya tornillos faltantes o flojos en el protector)
Agrietamiento de las correas	Suciedad o grasa en la correa o en la correa envejecida	Retire la suciedad o reemplace la correa
La correa se desgasta rápidamente	Protector de cinturón que golpea el cinturón Poleas desgastadas Suciedad en poleas	Realinee el protector (verifique que no falten tornillos del protector o estén flojos) Reemplace la polea Quitar la suciedad

MODO DE CALEFACCIÓN:

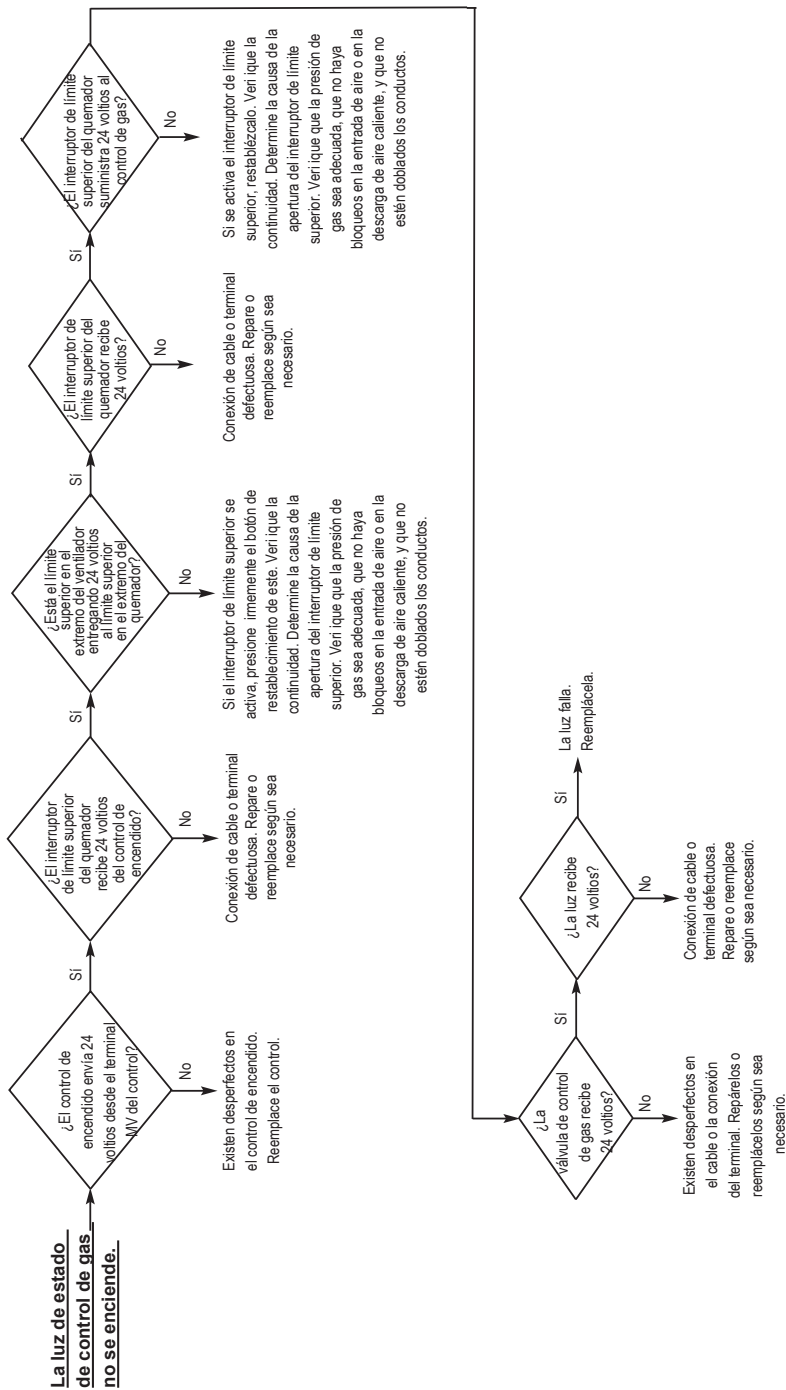
Todas las luces están ENCENDIDAS. **Funcionamiento normal**

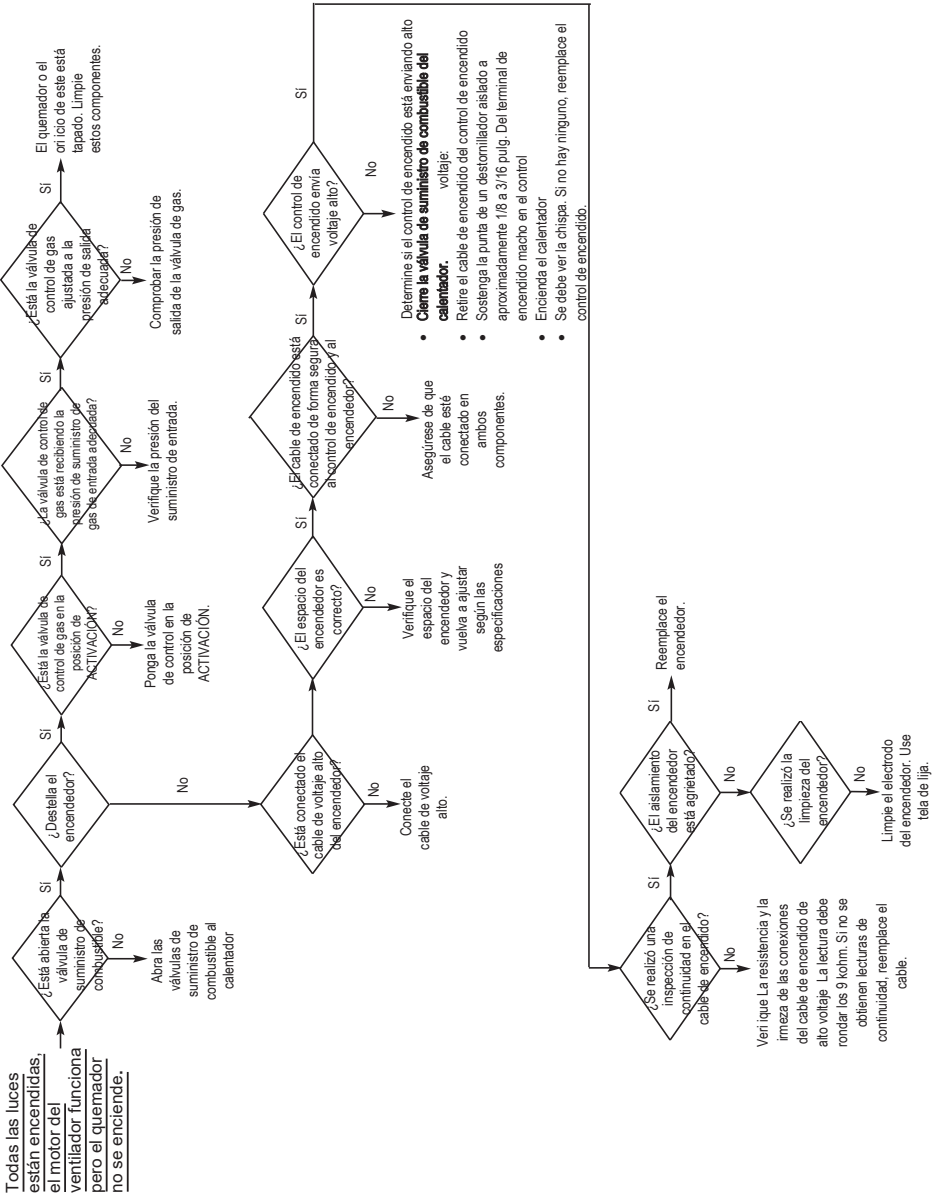


La luz de estado de la presión de aire no está encendida.



Repare o reemplace los cables y las conexiones según sea necesario.





Todas las luces se encienden, a EXCEPCIÓN de la luz de la válvula de gas. El motor del ventilador no funciona y el quemador no se enciende.

El interruptor de presión de aire ha fallado en la posición cerrada. Verifique la obstrucción y la continuidad del flujo de aire; si no lo encuentra, reemplace el interruptor.

Todas las luces están encendidas. El quemador se enciende, pero no permanece encendido.

Causado por un sentido de llama deficiente o problemas relacionados con el sentido de la llama. Compruebe si el encendedor está rajado o sucio o si hay una mala conexión a tierra. (El calentador requiere un suministro eléctrico con conexión a tierra para su funcionamiento continuo).

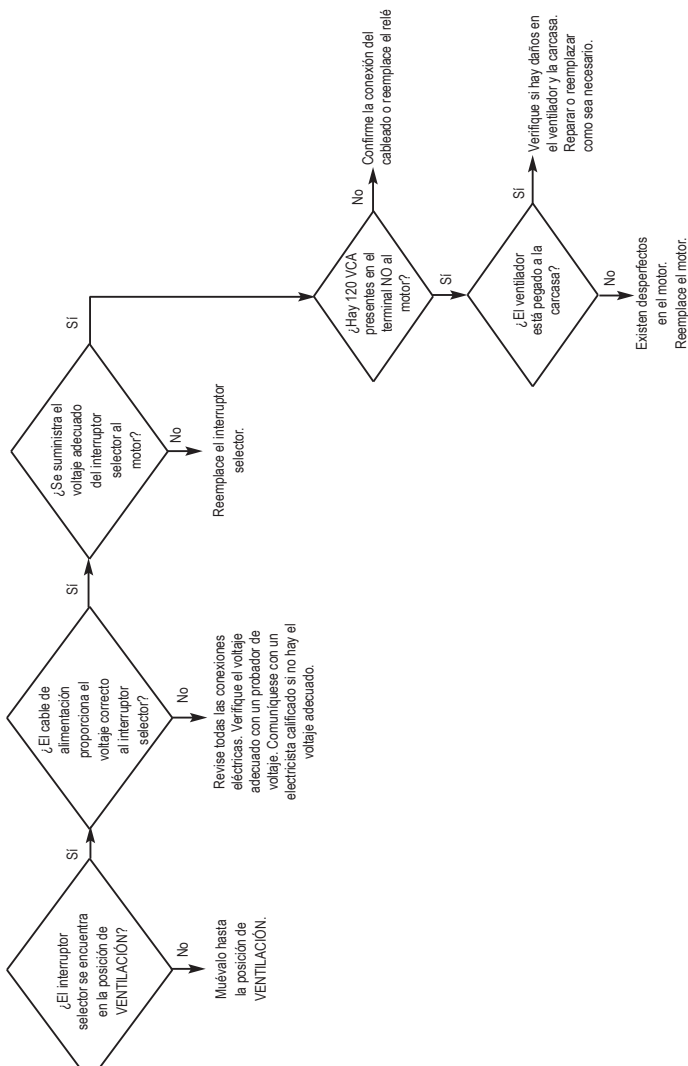
MODO DE VENTILACIÓN:

Problema
El motor
no funciona

¿El calentador está enchufado?

Si →

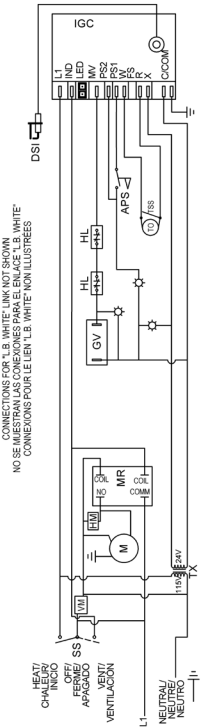
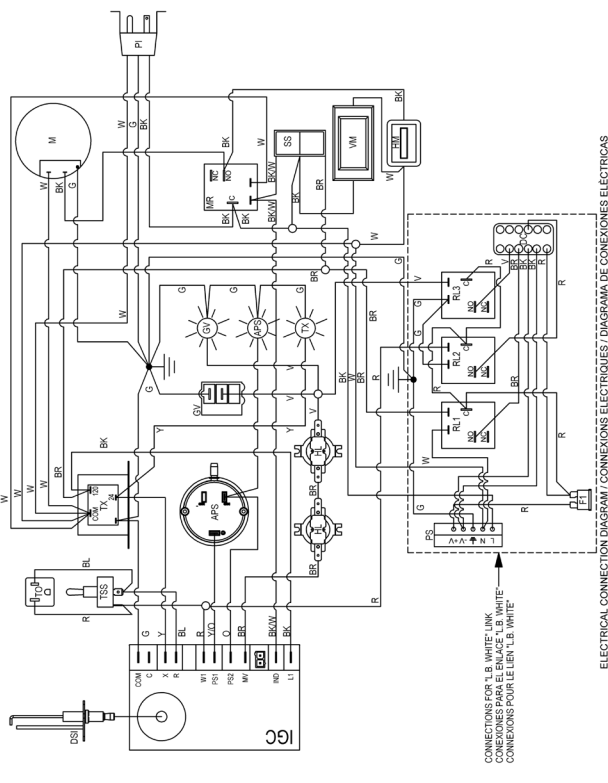
No → Enchúfelo.



Conexión eléctrica y diagrama de escalera

- COMPONENT CODE KEY**
 APS: Interruptor de presión de aire
 Pressostat (air)
 DC: Deutsch Connector/Conector
 Deutsch Connector/Conector
 DSI: Allumeur Direct/Encendedor
 Allumeur Direct/Encendedor
 F1: Fuse 2A/Fusible 2A
 GV: Gas Control Valve/Valve de
 Commande de Gaz/Valvula
 de Comando de Gás
 HL: High Limit Heat Switch/
 Interrupteur de Limite Elevee/
 Interruptor de Limite Superior
 HM: Hour Meter/Compteur d'Heures
 Contador de Horas
 IGC: Ignition Control
 Control de Alumagaj/
 Control de Encendido de Chispa
 M: Motor
 MR: Motor Relay/Relais de Moteur/
 Rele del Motor
 PI: Power Inlet/Entree D'alimentation/
 Entrada De Alimentacion
 PS: Power Selector/Selecteur De Courant/
 Fuelle De Alimentacion
 SS: Selector Switch/Selecteur/
 Interruptor de Seleccion
 RL: "Relay" is Number/"Relais" est un
 numero (Relais es numero)
 TO: Thermostat (outlet)
 Thermostat (salida)
 TSS: Salida del thermostat
 Interrupteur de Thermostat
 Transformador
 TX: Transformator
 VM: Volt Meter/voltmetro/
 Medidor de Voltaje
 LED: LED
 LED No. DE Luz LED
 Earth Ground/Mise a la
 terre/Conexione tierra

- WIRE COLOR CODE KEY**
 BK: Black
 BKW: Black, White Stripe/No. bande
 blanche/Negro, raya blanca
 BL: Blue/Blue/Azul
 BR: Brown/Marron
 GV: Green/Verde
 Gray/Gris
 O: Orange/Naranja
 R: Red/Rojo/Rojo
 W: White/Blanco
 Y: Yellow/Amarillo/Amarillo
 YO: Yellow, Orange Stripe/Jaune, orange
 orange/Amarillo, naranja raya

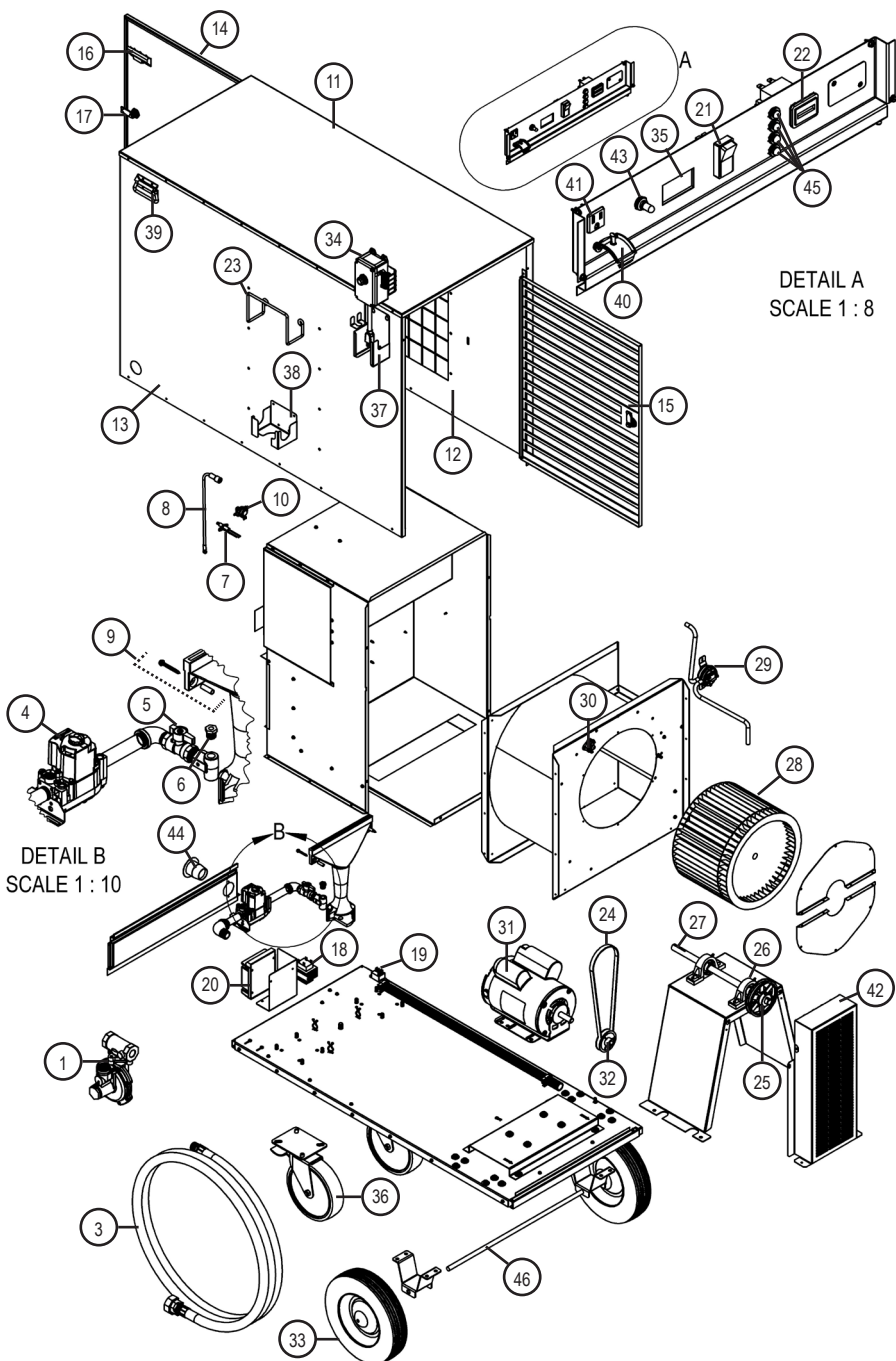


NO SEE CONNECTIONS FOR L.B. WHITE LINK NOT SHOWN
 NE VOUS VENEZ PAS DE CONEXIONS POUR LE L.B. WHITE NON ILLUSTRES

CONNECTIONS FOR L.B. WHITE LINK NOT SHOWN
 CONEXIONES PARA EL L.B. WHITE

150-133232 REV/B
 IF ANY OF THE ORIGINAL WIRINGS SUPPLIED WITH THE HEATER MUST BE REPLACED WITH WIRING MATERIAL HAVING A TEMPERATURE RATING OF AT LEAST 302°F (150°C).
 SI LE FAUT REMPLACER UN DES FIELS D'ORIGINE DE L'APPAREIL, IL FAUT LE REMPLACER PAR UN FIL AVEC UNE TEMPERATURE NOMINALE D'AU MOINS 302°F (150°C).
 SI SE DEBE CAMBIAR CUALQUIER CABLE ORIGINAL, PROPORCIONADO CON EL APARATO, SE DEBE CAMBIAR POR UN CABLE CON UNA CALIFICACION DE TEMPERATURA DE AL MENOS 302°F (150°C).

Diagrama de identificación de piezas de mantenimiento

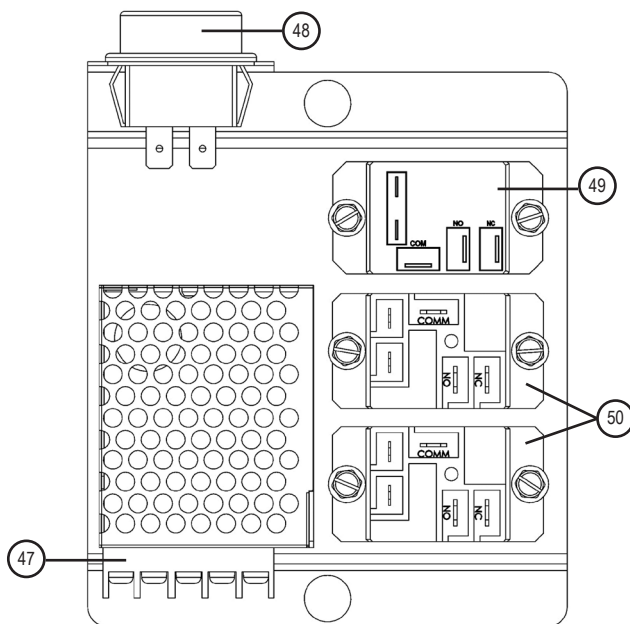


www.lbwwhite.com

Artículo	Descripción	Pieza Número
1	Regulador	500-25141
2	Conector en espiral (NO SE MUESTRA)	500-25766
3	Manguera, de 3/4 de DI x 15 pie	500-25965
4	Valve, Gas Control	522189
5	Válvula selectora de gas	574237
6	Orificio del quemador	574236
7	Encendedor	574196
8	Cable, encendido, 54 pulgada X 7MM	574262
9	Ferretería para montaje del quemador (2 tornillos y 2 separadores)	570211
10	Interruptor, límite alto, extremo del quemador	571262
11	Estuche, parte superior con etiquetas	574271
12	Estuche, frente con etiquetas	574270
13	Caja, parte trasera con etiquetas	574272
14	Estuche, quemador de puerta con etiquetas	574274
15	Caja, puerta, persiana con etiqueta	574273
16	Tirador, puerta, empotrado	574124
17	Pestillo, puerta	574162
18	Transformador, 120/24, 40VA	573697
19	Relé, 120 VAC, SPNO, 40 AMP, montado en brida	574446
20	Control, encendido	574247
21	Interruptor, balancín, ENCENDIDO / APAGADO / ENCENDIDO	574122
22	Contador de horas	574121
23	Colgador de manguera	571619
24	Cinturón	573716
25	Polea, ventilador	571303
26	Cojinete, Chumacera (2 unidad)	571294
27	Eje, 3/4 pulg. Diá. con chavetero	571820
28	Rueda de ventilador	571309
29	Interruptor, presión de aire	574232
30	Interruptor, límite alto, extremo del motor	574451
31	Motor	571327
32	Polea, motor	573838
33	Juego de ruedas (1 c/u Rueda y tapa)	571153
34	Kit de termostato con cable de 1.4 pies	500-132976
	Kit de termostato con cable de 25 pies	500-30125
35	Medidor de voltios	573947

Artículo	Descripción	Pieza Número
36	Rueda, echador con tornillería de montaje	571193
37	Soporte, almacenamiento de termostato	574217
38	Soporte, almacenamiento regulador	574275
39	Mango, estuche	571628
40	Tapa, salida termostato	574138
41	Receptáculos, termostato, encaje a presión	573570
42	Guardia, cinturón	574189
43	Interruptor, termostato selector con maletero	570456
44	Entrada, bridada, receptáculo de potencia	574125
45	Luz, estado, verde, 24 voltios	574159
46	Eje, varilla	573837

PIEZAS DE REPUESTO DEL PANEL DE RELÉ DE ALIMENTACIÓN LINK



Artículo	Descripción	Pieza Número
47	Fuente de alimentación, 120VAC/12VDC	574244
48	Fuse, 32V, 2A, Type FAS	574278
49	Relé, SPDT DE Bobina de 120 VCA, 40 Amperio	574253
50	Relé, SPDT DE Bobina de 24 VCA, 20 Amperio	574255

Notas

Política de garantía

CALEFACTOR

L.B. White Company, LLC garantiza que las piezas de su calefactor estarán libres de defectos en los materiales y la mano de obra cuando se instalen, se hagan funcionar y se sometan a mantenimiento apropiadamente conforme a las Instrucciones de instalación y mantenimiento, las guías de seguridad, y las etiquetas de cada unidad. Si dentro de los 24 meses a partir de la fecha de compra por parte del usuario final se encuentran defectos en algún componente, L.B. White Company, LLC según su criterio, reparará o reemplazará la pieza defectuosa o el calefactor con una pieza o calefactor nuevos, FOB, Onalaska, Wisconsin.

Al registrar su producto en línea con L.B. White habilitará automáticamente una unidad y sus piezas componentes para la garantía. Si un producto no ha sido registrado con L.B. White, se requerirá una copia de la factura de venta para establecer una calificación de garantía. Si nada de lo anterior está disponible, el período de garantía será de 24 meses desde la fecha del envío por parte de L.B. White.

PIEZAS

L.B. White Company, LLC garantiza que las piezas de repuesto compradas a la compañía y usadas en el correspondiente equipo L.B. White están libres de defectos tanto de materiales como de mano de obra durante 12 meses desde la fecha de compra por el usuario final. La garantía es automática si se encuentra que un componente está defectuoso dentro de los 12 meses del código de fecha marcado en la pieza. Si el defecto ocurre más de 12 meses después del código de fecha pero dentro de los 12 meses de la fecha de compra por el usuario final, se solicitará una copia de la factura de venta para que quede habilitada la garantía.

La garantía descrita arriba es la garantía exclusiva otorgada por L.B. White, y todas otras garantías, incluida cualquier garantía implícita o comerciabilidad o idoneidad para un propósito en particular, son expresamente denegadas. En el caso de cualquier garantía implícita que no esté eficazmente denegada en el presente

documento por efecto de la ley, tal garantía implícita está limitada en tiempo a la duración de la correspondiente garantía mencionada arriba. Los recursos establecidos arriba son los recursos exclusivos disponibles conforme al presente documento. L.B. White no será responsable por ninguno de los daños y perjuicios incidentales o emergentes directa o indirectamente relacionados con la venta, manipulación o uso del equipo, y en todo caso la responsabilidad de L.B. White con respecto al equipo, incluidos reclamos basados en negligencia o responsabilidad estricta, está limitada al precio de compra.

Algunos estados no permiten limitaciones respecto de la duración de una garantía implícita. Por lo tanto, la limitación de arriba podría no aplicarse a usted.

Algunos estados no permiten la exclusión o limitación de daños y perjuicios incidentales o emergentes; por lo tanto, la limitación o exclusión de arriba podría no aplicarse a usted. Esta garantía le otorga derechos legales específicos, y usted también podría tener otros derechos que varían de estado a estado.

Para registrar su producto y asegurarse la garantía completa, visite: http://www.lbwhite.com/customer_care_center/product-registration/. Por favor, tenga a mano el número o los números de serie y modelo de los productos que registrará.

Mantenimiento

Póngase en contacto con su distribuidor local de L.B. White para acceder a repuestos y servicio. También puede llamar a L.B. White Company, LLC al 1-800-345-7200, para recibir ayuda, o enviar un correo electrónico a customerservice@lbwhite.com.

Cuando llame, asegúrese de contar con el número de modelo del calefactor y el número de configuración.



PROVEEDOR MUNDIAL - SOLUCIONES CLIMÁTICAS INNOVADORAS

411 Mason Street, Onalaska, WI 54650

800-345-7200 • 608-783-5691

608-783-6115 (fax)

www.lbwhite.com



Premier

Appareils de chauffage canalisés

CS350 2.0 350 000 BTUH/102,6 kW
Mixte gaz-fuel

Lisez ce guide en ligne à l'adresse www.lbwhite.com

Attention

Cet appareil a été testé et évalué par les laboratoires d'essais CSA Group conformément aux exigences de la norme ANSI Z83.7• CSA 2.14 et il est coté et approuvé à titre de fournaise gainable de radiateur de construction à air pulsé à circulation indirecte alimentée au gaz avec une application pour le chauffage temporaire de bâtiments en cours de construction, de rénovation ou de réparation. De plus, cet appareil de chauffage a été évalué et approuvé par le groupe CSA pour les utilisations de chauffage de tente avec occupation humaine temporaire au Canada et aux États-Unis. **VÉRIFIER AUPRÈS DE VOTRE RESSOURCE LOCALE COMPÉTENTE EN MATIÈRE DE SÉCURITÉ-INCENDIE, VOTRE FOURNISSEUR DE GAZ COMBUSTIBLE, OU L.B. WHITE SI VOUS AVEZ DES QUESTIONS CONCERNANT LES APPLICATIONS.**

www.lbwhite.com



Report No.: 0545GH007S

Félicitations!

Vous avez acheté le meilleur appareil de chauffage à circulation disponible. Votre nouvel appareil de chauffage de L.B. White intègre les avantages provenant du fabricant le plus expérimenté en produits de chauffage utilisant la toute dernière technologie de pointe. Nous, chez L.B. White, vous remercions pour votre confiance en nos produits et accueillons vos suggestions ou commentaires... appelez-vous au 1-800-345-7200, ou envoyez-nous un courriel à customerservice@lbwhite.com.

REMARQUER

Les présentes instructions d'installation sont celles de L.B. White Co. LLC a suggéré des recommandations et des lignes directrices pour l'installation temporaire ou permanente du L.B. Radiateurs White Co. LLC. Les exigences des codes locaux, provinciaux, électriques et de sécurité remplacent ces directives. En l'absence de codes locaux, voir page 7 pour une installation aux États-Unis ou au Canada.

CONSULTEZ LES
DIRECTIVES
D'ASSEMBLAGE
À L'INTÉRIEUR

Veillez vous référer à l'information importante sur l'élévation de la couverture intérieure.



BALAYEZ CE CODE

avec votre téléphone intelligent ou visitez <http://goo.gl/5j21G> pour consulter des vidéos de maintenance pour les appareils de chauffage L.B. White.*

* Requier une application comme QR Droid pour Android ou iPhone

FOURNISSEUR MONDIAL - SOLUTIONS CLIMAT INNOVANTES

411 Mason Street, Onalaska, WI 54650 • 1-800-345-7200 • 608-783-5691 • 608-783-6115 (télécopieur) • www.lbwhite.com

TABLE DES MATIÈRES

Spécifications de l'appareil de chauffage	4
Information générale.....	5
Consignes de sécurité	5
Instructions d'installation Général.....	8
LINK L.B. White	10
Régulateur de connexion.....	10
Directives de démarrage	13
Directives d'arrêt.....	14
Instructions de nettoyage	15
Directives d'entretien.....	15
Directives de réparation.....	16
Vérifications de la pression du gaz.....	21
Guide de dépannage.....	22
Diagramme et schéma de connexion électrique	29
Schéma des pièces et liste des pièces.....	30
Politique de garantie.....	34



AVERTISSEMENT

Ces produits standards sont fabriqués pour fonctionner à une efficacité optimale à des élévations entre 0 et 610 m (0 et 2 000 pi) au-dessus du niveau de la mer.

S'il fonctionne à des élévations supérieures, le produit ne fonctionnera pas correctement et pourrait fonctionner d'une manière non sécuritaire.

Des produits fournissant un fonctionnement adéquat pour des élévations alternatives peuvent être disponibles.

Si vous avez besoin d'un produit de haute élévation, n'avez pas spécifié lors de votre commande, et/ou la boîte dans laquelle cette unité vous a été livrée n'a pas d'étiquette indiquant l'élévation alternative, veuillez communiquer avec le soutien technique.



MISES EN GARDE GÉNÉRALES

LE NON-RESPECT DES MISES EN GARDE ET DES INSTRUCTIONS FOURNIES AVEC CE RADIATEUR PEUT ENTRAÎNER LA MORT, DE GRAVES BLESSURES ET DES PERTES MATÉRIELLES OU DES DOMMAGES À LA PROPRIÉTÉ RÉSULTANT D'UN INCENDIE, D'UNE EXPLOSION, DE BRÛLURES, D'ASPHYXIE, D'EMPOISONNEMENT AU MONOXYDE DE CARBONE ET/OU D'UN CHOC ÉLECTRIQUE. SEULES LES PERSONNES APTES À COMPRENDRE ET À SUIVRE LES INSTRUCTIONS DEVRAIENT SE SERVIR DE CE RADIATEUR OU LE RÉPARER. SI VOUS AVEZ BESOIN D'AIDE OU D'INFORMATIONS CONCERNANT CE RADIATEUR, SOIT UNE NOTICE D'INSTRUCTIONS, UNE ÉTIQUETTE, ETC., PRIÈRE DE COMMUNIQUER AVEC LE FABRICANT LES MANUELS DU PROPRIÉTAIRE ET LES ÉTIQUETTES DE REMPLACEMENT SONT DISPONIBLES SANS FRAIS. CONSULTEZ LE SITE, OU POUR OBTENIR DE L'ASSISTANCE, COMMUNIQUER AVEC LB WHITE AU 1-800-345-7200.



AVERTISSEMENT

- UNE BONNE PRESSION D'ALIMENTATION EN GAZ DOIT ÊTRE FOURNIE À L'ADMISSION DE L'APPAREIL DE CHAUFFAGE.
- RÉFÉREZ-VOUS À LA PLAQUE SIGNALÉTIQUE POUR CONNAÎTRE LA BONNE PRESSION D'ALIMENTATION EN GAZ.
- UNE PRESSION DE GAZ EXCESSIVE DE LA PRESSION D'ADMISSION MAXIMALE SPÉCIFIÉE À L'ADMISSION DE L'APPAREIL DE CHAUFFAGE PEUT CAUSER DES INCENDIES OU DES EXPLOSIONS.
- LES INCENDIES OU LES EXPLOSIONS PEUVENT CAUSER DES BLESSURES GRAVES, LE DÉCÈS OU ENDOMMAGER LE BÂTIMENT.
- UNE PRESSION DE GAZ INFÉRIEURE À LA PRESSION D'ADMISSION MINIMALE SPÉCIFIÉE À L'ADMISSION DE L'APPAREIL DE CHAUFFAGE PEUT CAUSER UNE MAUVAISE COMBUSTION.
- UNE MAUVAISE COMBUSTION PEUT MENER À UNE ASPHYXIE OU À UN EMPOISONNEMENT AU MONOXYDE DE CARBONE CHEZ LES HUMAINS, CAUSANT DES BLESSURES GRAVES OU LE DÉCÈS.



AVERTISSEMENT RISQUE D'EXPLOSION ET D'INCENDIE

- NE PAS UTILISER DANS UNE MAISON OU UN VÉHICULE DE CAMPING.
- L'INSTALLATION DE CET APPAREIL DE CHAUFFAGE À LA MAISON OU DANS UN VÉHICULE RÉCRÉATIF PEUT CAUSER UN INCENDIE OU UNE EXPLOSION.
- UN INCENDIE OU UNE EXPLOSION PEUT ENDOMMAGER LES BIENS, ET MÊME CAUSER LE DÉCÈS.



AVERTISSEMENT RISQUE D'INCENDIE, DE BRÛLURES, D'INHALATION ET D'EXPLOSION

GARDER LES COMBUSTIBLES SOLIDES, TELS LES MATÉRIAUX DE CONSTRUCTION, LE PAPIER ET LE CARTON, À BONNE DISTANCE DE CE RADIATEUR, COMME IL EST RECOMMANDÉ DANS LES INSTRUCTIONS. NE JAMAIS UTILISER CET APPAREIL DANS DES ENDROITS QUI CONTIENNENT OU POURRAIENT CONTENIR DES COMBUSTIBLES VOLATILES OU EN SUSPENSION DANS L'AIR TELS L'ESSENCE, LES SOLVANTS, LES DILUANTS POUR PEINTURE, LES PARTICULES DE POUSSIÈRES OU DES PRODUITS CHIMIQUES INCONNUS.

POUR VOTRE SÉCURITÉ

Ne rangez pas ou n'utilisez pas de gaz ou autres vapeurs ou liquides inflammables près de cet appareil ou de tout autre appareil.

POUR VOTRE SÉCURITÉ

Si vous sentez une odeur de gaz :

1. Ouvrez les fenêtres.
2. Ne touchez pas aux interrupteurs électriques.
3. Éteignez toute flamme ouverte.
4. Appelez immédiatement votre fournisseur en gaz.

Spécifications

Description		CS350 2.0	
Type de combustible		Gaz propane	Gaz naturel
Entrée maximale (BTUH/kW)		350 000 / 102,6	
Pression d'alimentation d'entrée en gaz acceptable à l'entrée de l'appareil de chauffage à des fins d'ajustement de l'admission (po. W.C./kPa)	MAX	13,5 / 3,36	
	MIN	11,0 / 2,74	
Pression de la rampe du brûleur (po CE/ kPa)		8,0 / 2,0	
Consommation de carburant par heure		16,2 lbs. / 7,34 kg	350 cu.ft./9,9m ³
Caractéristiques du moteur		Roulement à billes	
		1 H.P. / 745,7 Watts / 1,725 RPM	
Vitesse du ventilateur		915 RPM	
Alimentation électrique (Volts/HZ/Phase)		120 / 60 / 1	
Intensité	Démarrage	25,0	
	Continu	11,0	
Dimensions L x P x H (pouces/cm)		48 x 22,25 x 32,75 / 122 x 56,5 x 83,2	
Distances minimales sécuritaires du matériau combustible le plus près (pieds/mètres)	Haut	1 / 0,3	
	Les côtés	1 / 0,3	
	Arrière	1 / 0,3	
	Sortie du ventilateur	6 / 1,83	
Distance minimale de l'alimentation en carburant (pied/m)		Propane - É.-U.: 6/1,82, Canada: 10/3,05 Gaz naturel - S.O.	
Température ambiante minimum pour l'utilisation		-20°F / -29°C	
Unité de poids (lbs./kg)		256 / 116.1	

Information générale

Ce guide du propriétaire comprend tous les accessoires fréquemment utilisés sur cet appareil de chauffage. Ces accessoires doivent être commandés séparément. Lorsque vous appelez pour obtenir une assistance technique, ou pour obtenir des renseignements généraux, ayez **toujours** le numéro du modèle et le numéro de série disponible. Ces renseignements sont inscrits sur la plaque signalétique.

Ce guide vous informera sur le fonctionnement et les soins à apporter à votre appareil. Faites revoir ce guide par votre installateur qualifié afin de bien comprendre l'appareil de chauffage et son fonctionnement. Communiquez avec votre distributeur L.B. White ou L.B. White Company, LLC pour obtenir de l'aide, ou si vous avez des questions concernant l'utilisation de l'équipement ou son utilisation. La L.B. White Company, LLC a une politique d'amélioration continue du produit. Il se réserve le droit de changer les spécifications et la conception sans préavis.

Précautions de sécurité



AVERTISSEMENT

Danger lié à la qualité de l'air

- N'utilisez pas cette fournaise pour chauffer des locaux d'habitation.
- L'utilisation de fournaises à combustion directe dans un environnement de construction peut entraîner l'exposition à des niveaux de monoxyde de carbone, de dioxyde de carbone, et de dioxyde d'azote considérés nocifs pour la santé et potentiellement mortels.
- Ne pas utiliser dans des zones non ventilées.
- Apprendre à reconnaître les signes d'intoxication au monoxyde de carbone, de dioxyde de carbone
 - Maux de tête, yeux qui piquent.
 - Vertiges, désorientation.
 - Difficulté à respirer, sensation d'étouffement.
- Afin de soutenir la combustion et de maintenir une qualité d'air acceptable, un échangeur d'air de ventilation approprié (OSHA 29 CFR 1926.57) doit être fourni conformément à la provision OSHA 29 CFR partie 1926.154, de l'Administration de la sécurité et de l'hygiène du travail des États-Unis (OSHA), à la norme ANSI A10.10, Exigences relatives aux appareils et appareils de chauffage des locaux temporaires et portatifs utilisés dans l'industrie de la construction de l'Association américaine de normalisation ou aux codes d'installation du gaz naturel et du propane CSA B149.1 de l'Association canadienne de normalisation.
 - Surveiller périodiquement les niveaux de monoxyde de carbone, de dioxyde de carbone et de dioxyde d'azote sur le chantier de construction, au moins au début du quart de travail et après 4 heures.
 - Le cas échéant, assurer un échange d'air de ventilation, naturel ou mécanique, afin de maintenir une qualité d'air intérieure acceptable.

États-Unis 8 h, moyenne pondérée en temps
(OSHA 29 CFR 1926.55 App A)

CO 50 ppm
CO₂ 5 000 ppm
NO₂

É.-U. – Hauteur limite du plafond
(Limite d'exposition à court terme = 15 minutes)

CO
CO₂

NO₂ 5 ppm

Canada 8 h moyenne pondérée en fonction du fonction du temps Directives sur la santé et la sécurité au travail de WorkSafe BC, section 5.1 et la Réglementation 833 de l'Ontario relative aux lieux de travail

25 ppm
5 000 ppm
3 ppm (Rég. 833)

Canada STEL (15 minutes Rég. 833/1 h WSBC) Directives sur la santé et la sécurité au travail de WorkSafe BC, section 5.1 et Réglementation sur les lieux de travail de l'Ontario, 833

100 ppm
15 000 ppm (WSBC)
30 000 ppm (Rég. 833)
1,0 ppm (WorkSafeBC)
5,0 ppm (Rég. 833)

- Assurez-vous que le débit d'échange d'air de combustion et de ventilation ne peut pas être obstrué.
- La ventilation peut devoir être augmentée au fur et à mesure que le bâtiment se « resserre » pendant les phases de construction.

Odeur de gaz

Le propane et le gaz naturel ont des substances odorantes artificielles ajoutées spécifiquement pour détecter les fuites de gaz. Si une fuite de gaz survient, vous devriez pouvoir sentir l'odeur de gaz. IL S'AGIT DE VOTRE SIGNAL POUR AGIR IMMÉDIATEMENT!

- Ne prenez pas de mesures qui pourraient enflammer le gaz. N'opérez pas les interrupteurs électriques. Ne tirez pas sur les rallonges ou l'alimentation électrique. N'allumez pas d'allumettes ou toute autre source de flamme. N'utilisez pas votre téléphone.
- Faites immédiatement sortir toutes les personnes du bâtiment et loin de la zone.
- Fermez toutes les vannes d'alimentation en gaz.
- Le propane est plus lourd que l'air et peut s'accumuler dans des zones basses. Lorsque vous soupçonnez une fuite de propane, sortez des zones basses.
- Utilisez le téléphone de votre voisin et appelez le fournisseur de gaz, ainsi que votre service des incendies. Ne rentrez pas dans le bâtiment ou la zone.
- Restez à l'extérieur du bâtiment et loin de la zone jusqu'à ce que les pompiers et votre fournisseur de gaz déclarent que les lieux sont sécuritaires.
- **FINALEMENT**, laissez l'agent de service en gaz et les pompiers vérifier le gaz qui s'est échappé. Laissez-les aérer le bâtiment et la zone avant d'y retourner. Les agents de service bien formés doivent réparer la fuite, vérifier les fuites potentielles et rallumer l'appareil de chauffage pour vous.

Effacement de l'odeur - aucune odeur détectée

- Certaines personnes peuvent ne pas bien sentir. Certaines personnes ne peuvent pas sentir l'odeur de la substance chimique artificielle ajoutée au propane ou au gaz naturel. Vous devez déterminer si vous pouvez sentir la substance odorante de ces gaz.
- Apprenez à reconnaître l'odeur du propane et du gaz naturel. Les détaillants de propane locaux et votre fournisseur de gaz naturel local (service) seront heureux de vous donner un feuillet « grattez et sentez ». Utilisez-le pour vous familiariser avec l'odeur du gaz.
- La cigarette peut diminuer votre capacité à sentir. Se trouver en présence d'une odeur pendant un certain temps peut affecter votre sensibilité à cette odeur particulière.
- La substance odorante du propane et du gaz naturel est incolore et l'intensité de son odeur peut s'estomper dans certaines circonstances.
- S'il y a une fuite souterraine, le déplacement du gaz à travers le sol peut filtrer la substance odorante.

■ L'odeur du propane peut varier en intensité à différents niveaux. Étant donné que le propane est plus lourd que l'air, l'intensité de l'odeur peut être plus forte à des niveaux inférieurs.

■ Soyez toujours sensible à la moindre odeur de gaz. Si vous continuez à détecter une odeur de gaz, même si elle est faible, traitez-la comme une fuite importante. Agissez immédiatement, comme nous avons discuté précédemment.

Attention - points importants à se rappeler!

- Le propane et le gaz naturel ont une odeur distinctive. Apprenez à reconnaître ces odeurs. (Référez-vous aux sections « Odeur de gaz » et « Effacement de l'odeur » ci-dessus.)
- Si vous ne l'avez pas reçu une formation adéquate en matière de réparation et de service
- Même si vous n'êtes pas bien formé dans l'opération et la réparation des appareils de chauffage, soyez **TOUJOURS** conscients des odeurs de propane et de gaz naturel.

Un « test olfactif » périodique autour de l'appareil chauffage ou aux articulations de l'appareil de chauffage; c'est-à-dire le tuyau, les raccords, etc., est une bonne pratique de sécurité dans toutes les conditions. Si vous sentez même une petite quantité de gaz, COMMUNIQUEZ IMMÉDIATEMENT AVEC VOTRE FOURNISSEUR DE GAZ. N'ATTENDEZ PAS!

1. N'essayez pas d'installer, de réparer ou d'opérer cet appareil de chauffage ou la conduite d'alimentation en gaz à moins que vous n'ayez les connaissances requises en matière d'appareils de chauffage au gaz.

QUALIFICATIONS POUR L'OPÉRATION ET L'INSTALLATION :

- a. Pour devenir une personne qualifiée en installation de gaz, vous devez avoir suffisamment de formation et d'expérience pour traiter tous les aspects reliés à l'installation, à l'entretien et à la réparation. Cela inclut la tâche de l'installation, du dépannage, du remplacement des pièces défectueuses et les essais sur l'appareil de chauffage. Vous devez être en mesure de mettre l'appareil de chauffage dans une condition de fonctionnement sécuritaire et normale. Vous devez vous familiariser entièrement avec chaque modèle d'appareil de chauffage en lisant et en vous conformant aux directives de sécurité, aux étiquettes, au guide du propriétaire, etc., qui accompagne chaque appareil de chauffage.
- b. Pour devenir une personne qualifiée en installation de gaz, vous devez avoir suffisamment de formation et d'expérience pour traiter tous les aspects reliés à l'installation, à la réparation et dans le changement des conduites de gaz, y compris la sélection et l'installation du bon équipement, et la sélection de la bonne taille de tuyau et de réservoir à utiliser. Ceci doit être effectué selon les codes nationaux, provinciaux et locaux, de même que les exigences du fabricant.
- c. Dans le Commonwealth du Massachusetts, ce produit doit être installé par un installateur de gaz agréé du Commonwealth du Massachusetts.

2. Toutes les installations et les applications d'appareils de chauffage L.B. White doivent respecter tous les codes locaux, provinciaux et nationaux pertinents. Cela inclut les codes de sécurité, électriques, du gaz naturel et du GPL. Votre fournisseur local de gaz, un électricien agréé local, le service d'incendie local ou des organismes gouvernementaux similaires, ou votre agent d'assurance peuvent vous aider à déterminer les exigences des codes.

Référez-vous aux normes suivantes :

Installations des États-Unis :

- ANSI/NFPA 58, dernière édition, Norme de stockage et de manipulation du pétrole liquéfié et/ou
- ANSI Z223.1/NFPA 54, Code national sur le gaz
- ANSI/NFPA 70, Code national de l'électricité

Installations du Canada :

- CSA B149.1-F15 - Code d'installation de gaz naturel et du propane
- CSA C22.1 Code canadien de l'électricité (CCÉ), Première partie, et CSA C22.2 No.3, Caractéristiques électriques des appareils à combustible.

3. Nous ne pouvons pas prévoir toutes les utilisations qui peuvent être faites de nos appareils de chauffage. D'autres normes régissent l'utilisation de gaz combustibles et de produits produisant de la chaleur dans des utilisations spécifiques. Votre ressource locale compétente peut vous conseiller à ce sujet. Vérifiez auprès de votre ressource compétente en matière de sécurité-incendie si vous avez des questions à propos des utilisations.
4. Ne pas laver l'intérieur de l'appareil de chauffage. Utilisez seulement de l'air comprimé, une brosse ou un chiffon doux pour nettoyer l'intérieur de l'appareil de chauffage et ses composants.
5. Pour la sécurité, cet appareil de chauffage est équipé avec des interrupteurs de limite élevée à réinitialisation manuelle, un interrupteur de vérification de débit d'air et une vanne de commande du débit de gaz redondant. Ne jamais faire fonctionner l'appareil de chauffage avec un dispositif de sécurité qui a été contourné. Ne pas faire fonctionner cet appareil de chauffage à moins que toutes les fonctionnalités fonctionnent pleinement.
6. Ne pas placer les contenants de gaz ou les tuyaux d'alimentation de combustible à l'intérieur de 20 pi/6,10 mètres de la sortie du ventilateur de l'appareil de chauffage.
7. Ne pas bloquer les entrées d'air ou les sorties d'évacuation de l'appareil de chauffage. Agir de la sorte peut causer une mauvaise combustion ou endommager les composants de l'appareil de chauffage, menant à des dommages aux biens.
8. L'ensemble de flexibles doit être inspecté visuellement sur une base quotidienne après la relocation de la fournaise et lorsque l'appareil est en cours d'utilisation. S'il est évident qu'il y a une abrasion ou une usure excessive, ou si le tuyau est coupé, il doit être remplacé avant que la fournaise ne soit mise en service. L'ensemble de flexibles devra être protégé de la circulation, des matériaux de construction et du contact avec des surfaces chaudes durant l'utilisation et durant l'entreposage. L'ensemble de flexibles de rechange doit être celui précisé par le fabricant. Consulter la liste des pièces.
9. De chauffage est équipé d'une vanne de sélection de gaz. La vanne de sélection doit être adéquatement positionnée pour que le gaz soit fourni à l'appareil de chauffage. Davantage d'information sur cette fonctionnalité est fournie en page 17 de ce guide.
10. Vérifiez les fuites de gaz et le bon fonctionnement à l'installation, lors du changement d'emplacement ou de l'entretien. Reportez-vous aux directives de vérification des fuites dans la section sur l'installation de ce guide.
11. Cet appareil de chauffage doit être inspecté pour son fonctionnement adéquat par une personne qualifiée avant chaque utilisation et au moins annuellement.
12. Éteignez l'alimentation en gaz de l'appareil de chauffage si l'appareil de chauffage ne sera pas utilisé pour le chauffage de l'espace de travail.
13. Cet appareil de chauffage est équipé d'une fiche à trois broches (mise à la terre) pour votre protection contre les risques d'électrocution et doit être branché directement dans une prise à trois broches mise à la terre. Ne pas utiliser une prise adéquatement mise à la terre peut provoquer un choc électrique, des blessures ou le décès.
14. Si le flux de gaz est interrompu et que la flamme s'éteint, ne rallumez pas l'appareil de chauffage jusqu'à ce que vous soyez certain que tout le gaz ayant pu s'accumuler dans l'appareil de chauffage se soit dissipé. Dans tous les cas, ne rallumez pas l'appareil de chauffage avant que cinq minutes ne se soient écoulées.
15. L'appareil de chauffage requiert un réservoir de propane de 500 gallons/1 892 litres afin d'assurer une pression d'alimentation en gaz et un fonctionnement adéquats. Un réservoir de capacité supérieure peut être requis, selon les conditions de fonctionnement du site.
16. Lorsque l'appareil de chauffage est stocké à l'intérieur, la connexion entre la(les) bouteille(s) de propane et l'appareil de chauffage doit être déconnectée et la(les) bouteille(s) retirée(s) de l'appareil de chauffage et entreposée(s) conformément à la Norme pour l'entreposage et la manipulation des gaz de pétrole liquéfiés, ANSI/NFPA 58 ou le Code d'installation du propane et du gaz naturel, CAN/CSA B149.1, selon le cas.
17. Les bouteilles de gaz propane ont des filetages à gauche. Toujours utiliser la clé appropriée pour faire une connexion pour serrer ou desserrer le raccord Prest-O-Lite du raccord de la queue de cochon à la vanne d'alimentation en gaz de la bouteille.
18. Le radiateur doit être situé à au moins 3 m (10 pi) au Canada de tout contenant de gaz propane.
19. Convient à un usage intérieur ou extérieur. Une ventilation adéquate doit être assurée conformément aux normes pertinentes parmi les suivantes: OSHA 29 CFR 1926.154, Safety Requirements for Temporary and Portable Space Heating Devices and Equipment (ANSI A10.10); National Fuel Gas Code (ANSI Z223.1/ NFPA 54) Liquefied Petroleum Gas Code (NFPA 58); ou le Code d'installation du gaz naturel et du propane (CAN B149.1). Voir la notice d'instructions pour obtenir de plus amples renseignements.

Directives générales d'installation



AVERTISSEMENT

Risque de brûlure

Peut entraîner des dommages à la propriété, des blessures graves ou le décès.

1. Pour éviter une accumulation dangereuse de gaz combustible, coupez l'alimentation en gaz à la vanne de service de l'appareil avant de commencer l'installation et effectuer un test de fuite de gaz après la complétion de l'installation.
2. Ne pas forcer le bouton de commande de gaz. Utilisez seulement votre main pour tourner le bouton de commande de gaz. N'utilisez jamais d'outils. Si le bouton Le radiateur do ne fonctionne pas à la main, il devrait être remplacé par un technicien qualifié. Le forcer ou tenter de le réparer peut entraîner un incendie ou une explosion.

1. Lisez toutes les précautions de sécurité et suivez les Le radiateur do émissions par L.B. White lors de l'installation de cet appareil de chauffage. Si, pendant l'installation ou la relocalisation de l'appareil de chauffage, vous soupçonnez une pièce endommagée ou défectueuse, appelez une agence de réparation qualifiée pour la réparation ou le remplacement.
2. Placer l'appareil de façon appropriée avant de l'utiliser sur une surface plane, stable et horizontale avant toute utilisation. Veiller à ce que la fournaise soit de niveau. (Utiliser un niveau, vérifier la longueur et la direction de la largeur). Respecter toutes les distances de sécurité minimales entre la fournaise et les matériaux combustibles les plus proches. Les distances de sécurité sont indiquées sur la plaque signalétique de la fournaise ainsi qu'à la page 4 du présent manuel.
3. Pour utilisation à l'intérieur ou à l'extérieur et est approuvé pour une utilisation avec ou sans eseu de gaines. Pour les installations à l'extérieur, des accessoires supplémentaires sont nécessaires pour correctement fournir de l'air chauffé à l'intérieur. Ces accessoires sont les suivants:

Seuls les conduits et les accessoires de distribution d'air fournis et spécifiés par le fabricant du réchauffeur doivent être utilisés.

- 18 po/43,7 cm Dia. x 12 pi/3,66 m Conduit : Pièce no 500-22835
- Diffuseur terminal : Pièce no 500-23189

NE PAS UTILISER D'AUTRE LONGUEUR DE CONDUIT OU UN CONDUIT, DES BÂCHES OU DE TUYAU DE POËLE FABRIQUÉS SUR LE TERRAIN, ETC. AVEC CET APPAREIL DE CHAUFFAGE.

- Lorsque vous utilisez le conduit, assurez-vous que les coudes dans le conduit sont réduits au minimum.
- La réduction du nombre de coudes permet à l'air chaud de quitter l'appareil de chauffage dans un flux libre, prévenant ainsi la surchauffe. S'il y a trop de coudes, les interrupteurs de limite élevée peuvent s'ouvrir.

4. Les appareils de chauffage à proximité de bâches, de toiles, de matières plastiques, de barrières contre le vent combustibles, ou de similaires revêtements, doivent être situés à au moins 10 pi/3,05 mètres des revêtements. Les revêtements doivent être solidement fixés pour prévenir l'allumage ou le dérangement de l'appareil de chauffage en raison de l'action du vent sur le revêtement ou un autre matériau.

5. Vérifiez tous les raccords pour tout signe de fuite en utilisant les détecteurs de fuite approuvés. Le test de fuite de gaz s'exécute comme suit :

-- Vérifiez tous les raccords de tuyaux, les raccords, les fixations et les adaptateurs en amont de la commande de gaz avec les détecteurs de fuite de gaz approuvés.



AVERTISSEMENT

Risque d'explosion et d'incendie

- N'utilisez de flamme ouverte (allumettes, torches, chandelles, etc.) pour vérifier les fuites de gaz.
- Utilisez seulement les détecteurs de fuite approuvés.
- Le non-respect de cet avertissement peut causer des incendies ou des explosions.
- Un incendie ou une explosion peut endommager les biens, causer des blessures, et même le décès.

-- En cas de fuite détectée, inspectez la propreté des composants impliqués et la bonne application du composé du tuyau avant de serrer.

-- Serrez les raccords de gaz, au besoin, pour arrêter la fuite.

-- Une fois tous les raccords vérifiés et les fuites arrêtées, allumez le brûleur principal.

-- Tenez-vous loin tandis que le brûleur principal s'allume pour prévenir les blessures causées par le retour de flammes reliées aux fuites.

-- Lorsque le brûleur principal est en opération, vérifiez tous les raccords, les raccords de tuyaux, les fixations et les articulations, de même que l'admission de la vanne de commande de gaz et les raccords de sortie avec les détecteurs de fuite de gaz approuvés.

-- En cas de fuite détectée, vérifiez les composants impliqués pour la propreté dans les zones filetées et la bonne application du composé du tuyau avant de serrer davantage.

-- Serrez le raccord de gaz, au besoin, pour arrêter la fuite.

-- Au besoin, remplacez les pièces ou les composants impliqués si la fuite ne peut être arrêtée.

-- Assurez-vous que toutes les fuites de gaz aient été identifiées et réparées avant de procéder.

6. Une agence de réparation qualifiée doit vérifier la pression de gaz d'opération lors de l'installation de l'appareil de chauffage.
7. Allumer conformément aux directives sur l'appareil de chauffage ou à l'intérieur du guide du propriétaire.
8. Assurez-vous que l'appareil de chauffage à le régulateur de gaz adéquat pour l'utilisation. Un régulateur doit être connecté à l'approvisionnement en gaz afin que la pression en gaz à l'admission de la soupape de gaz soit régulée à l'intérieur de la plage spécifiée sur la plaque signalétique, en tout temps.
 - Le régulateur fourni avec l'appareil de chauffage est adéquat pour être utilisé avec le gaz propane ou le gaz naturel.
 - Communiquez avec votre fournisseur de gaz, L.B. White Co., LLC. si vous avez des questions.
9. L'appareil de chauffage doit être installer afin de ne pas interférer ou obstruer les sorties normales, les sorties d'urgence, les portes et les allées.
10. Une rampe, une clôture ou des matériaux substitués appropriés doivent être utilisés pour garder toute personne visitant et utilisant la structure éloignée de l'équipement de chauffage.
11. L'appareil de chauffage doit être situé dans un endroit où l'évacuation de la pluie, du verglas ou de la neige de la structure n'affecte pas le fonctionnement de l'équipement. Si l'appareil de chauffage est monté à l'extérieur, il doit être monté au-dessus de toute eau stagnante ou bassin d'eau. Si l'unité doit être située sur le sol, une tranchée l'entourant est recommandée pour laisser s'écouler toute pluie, toute neige ou tout verglas à l'écart de l'unité.
12. Le sol et le terrain environnant doivent être exempts de végétation combustible et autres matériaux combustibles lorsque l'appareil de chauffage est utilisé à l'extérieur.
13. Éventuellement, comme tout appareil électrique/mécanique, le thermostat peut défaillir. La défaillance du thermostat peut entraîner un chauffage insuffisant. Le thermostat doit être testé pour s'assurer qu'il allume et éteint l'appareil de chauffage dans une plage de températures de $\pm 1,5\text{ }^{\circ}\text{C}$ ($\pm 3\text{ }^{\circ}\text{F}$).
14. Prenez le temps de comprendre comment faire fonctionner et entretenir l'appareil de chauffage à l'aide du guide du propriétaire. Assurez-vous de connaître la manière d'éteindre l'alimentation en gaz du bâtiment et des appareils de chauffage individuels. Communiquez avec votre fournisseur de gaz combustible si vous avez des questions.
15. Tout défaut découvert lors de l'exécution des procédures de réparation ou de maintenance doit être éliminé et les pièces défectueuses remplacées immédiatement. L'appareil de chauffage doit être retesté par du personnel dûment qualifié avant de remettre l'appareil de chauffage en fonction.

Taille de l'alimentation en gaz

La vaporisation du propane est affectée par plusieurs facteurs : la surface du récipient, le niveau de liquide du propane, la température entourant le récipient et l'humidité relative. Tous ces facteurs sont spécifiques à un site. Par conséquent, une certaine expérience et un jugement sont nécessaires pour sélectionner l'alimentation en propane appropriée.

Bien que l'expérience soit le meilleur guide, les recommandations suivantes peuvent être utilisées comme point de départ. Le tableau est basé sur l'expérience dans les climats nordiques, où le froid et l'humidité élevés sont répandus en hiver. Si des conditions plus ou moins favorables sont présentes sur un site spécifique, des ajustements peuvent être faits sur la base de l'expérience.

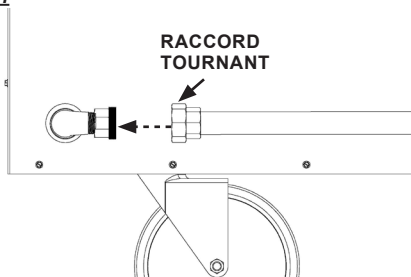
Approvisionnement en gaz recommandé	
TAILLE DU RÉSERVOIR	APPAREILS DE CHAUFFAGE/ RÉSERVOIR
500 gal/1892 litres	1
1000 gal/3784 litres	2

Si plus d'une bouteille d'approvisionnement en gaz est utilisée par appareil de chauffage, les bouteilles doivent être reliées ensemble pour permettre le retrait simultané de la vapeur de plusieurs bouteilles. Le système de collecteur devrait être conforme à NFPA 58 ou CSA B149.1.

Connexion du tuyau à l'appareil de chauffage

1. Enfilez le raccord tournant sur le connecteur à l'admission en gaz de l'appareil de chauffage. Voir la Fig. 1. Serrez bien.
2. Le tuyau peut être enroulé et accroché sur le porte-tuyau, le régulateur étant entreposé dans le support d'entreposage du régulateur.

FIG. 1



L.B.WHITE® LINK™

(Vendu séparément,
500-133225)

Le Premier 350DF 2.0 est configuré en usine pour être L.B. White Prêt pour le LINK.

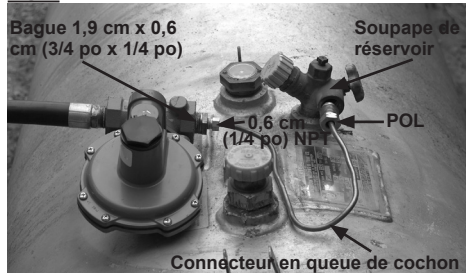
Pour plus d'informations sur le L.B. Système White LINK, contactez votre local L.B. White Marchand. Vous pouvez également appeler le L.B. White Company, LLC au 1-800-345-7200.

Connecter le régulateur à l'alimentation en gaz

SI DU GAZ PROPANE EST UTILISÉ :

1. Soulevez le couvercle du réservoir.
2. Assembler les composants du gaz comme indiqué, selon le type d'appareil de chauffage. Serrez bien tous les raccords. Voir la fig. 2.

FIG. 2



3. Formez le connecteur pour s'assurer que le régulateur sera supporté par le réservoir, et que le couvercle de la vanne du réservoir protégera le régulateur des conditions de température.
4. Enfillez le raccord Prest-O-Lite dans le sens antihoraire dans la vanne du réservoir. Serrez bien. Voir la Fig. 2.
5. Ouvrez la vanne du réservoir.
6. Vérifiez toutes les connexions avec un détecteur de fuite approuvé. Fermez le couvercle du réservoir.
7. Lors du stockage ou du transport de l'appareil de chauffage, assurez-vous que le raccord du connecteur soit protégé des dommages et de l'entrée de saleté.

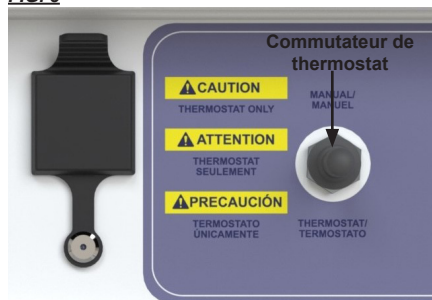
SI DU GAZ NATUREL EST UTILISÉ :

- Le régulateur ne doit être utilisé que si la pression d'alimentation en gaz de l'appareil de chauffage est supérieure à la pression d'entrée maximale indiquée sur la plaque signalétique de l'appareil de chauffage.
- Branchez le régulateur tel que fourni avec l'appareil de chauffage à ligne d'alimentation en gaz, en utilisant les connexions appropriées. (NE PAS UTILISER LE PREST-O-LITE/QUEUE DE COCHON POUR LES INSTALLATIONS DE GAZ NATUREL)
- **La pression d'alimentation en gaz au régulateur doit être au minimum 2 PSI/13,7 kPa.**

Thermostats

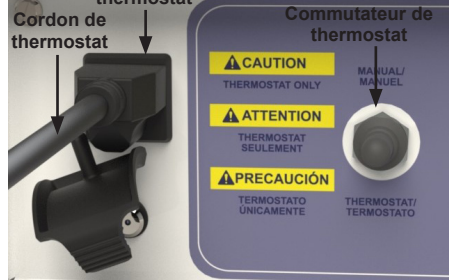
Si un thermostat n'est pas nécessaire ou requis, sélectionnez Réglage manuel sur le commutateur de thermostat. Voir la figure 3.

FIG. 3



Si un thermostat est nécessaire, retirez le couvercle de la prise du thermostat et branchez le cordon du thermostat dans la prise de sortie du thermostat. Utilisez UNIQUEMENT L.B. White de thermostat blanc avec fiche. NE PAS utiliser de fiche de thermostat en ligne lors du branchement dans la prise de sortie du thermostat. Sélectionnez le réglage du thermostat sur l'interrupteur. Voir la figure 4.

FIG. 4



* Couvrez TOUJOURS la sortie du thermostat lorsqu'il n'est pas utilisé.

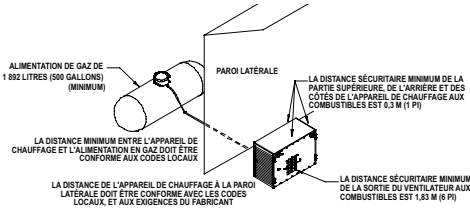
* NE branchez PAS un appareil dans la prise du thermostat.

* NE branchez PAS le cordon du thermostat dans une prise.

Installation de l'appareil de chauffage

Intérieur de la structure

FIG. 5



Extérieur de la structure

(Accessoires de distribution de l'air - non fournis avec l'appareil de chauffage)

A. Ensemble de conduit flexible

Numéro de pièce : 500-22835 (18 po x 12 pi/46 cm x 3,65 m)

- Étendre l'ensemble de conduit à 12 pieds/3,6 mètres.
- Montez le conduit à la sortie du ventilateur de l'appareil de chauffage en insérant les attaches dans les fentes verticales et horizontales situées sur les côtés et à la partie supérieure de la sortie du ventilateur. Voir la Fig. 6. Appuyez sur l'adaptateur de conduit pour fixer en place l'adaptateur dans les fentes. Voir ci-dessous pour une installation typique d'un appareil de chauffage situé à l'extérieur.

Un maximum de trois conduits de 3,65 m sur 46 cm (12 pi sur 18 po) peut être utilisé par appareil de chauffage. NE PAS fixer de diffuseur d'extrémité lorsque vous utilisez trois conduits. Voir la Fig. 7 pour une installation typique.

FIG. 6

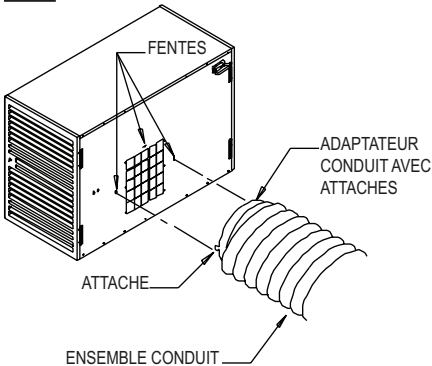
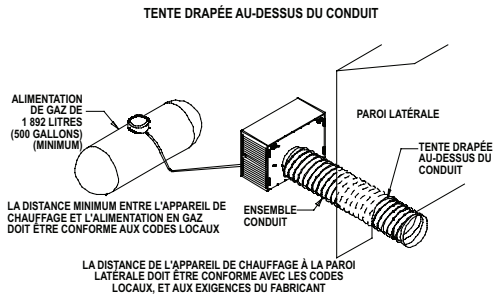


FIG. 7



B. Diffuseur terminal

Numéro de pièce : 500-23189

Utiliser seulement un conduit 3,65 m sur 46 cm (12 pi sur 18 po) par appareil de chauffage lorsque vous utilisez un diffuseur d'extrémité.

- Desserrez la vis sur le collier de serrage pour que le collier se positionne facilement sur les nervures à l'extrémité du conduit flexible.
- Faites glisser le conduit sur le collier du diffuseur d'extrémité et serrez la pince pour maintenir solidement le conduit sur le collier. Voir la figure 8.
- Localisez le diffuseur sous la paroi latérale. Voir la figure 9.

FIG. 8

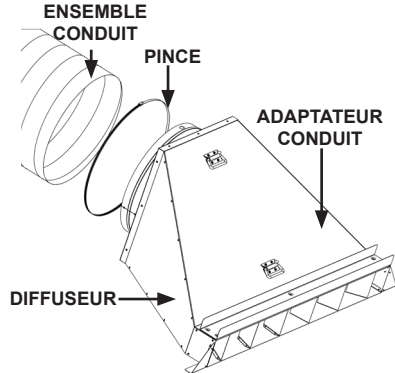
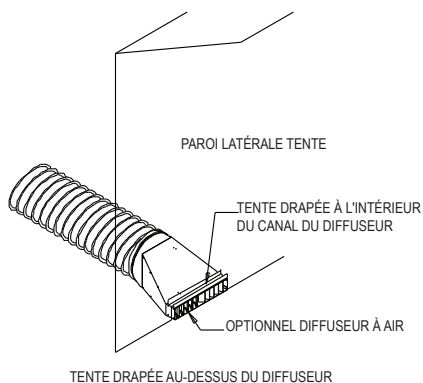


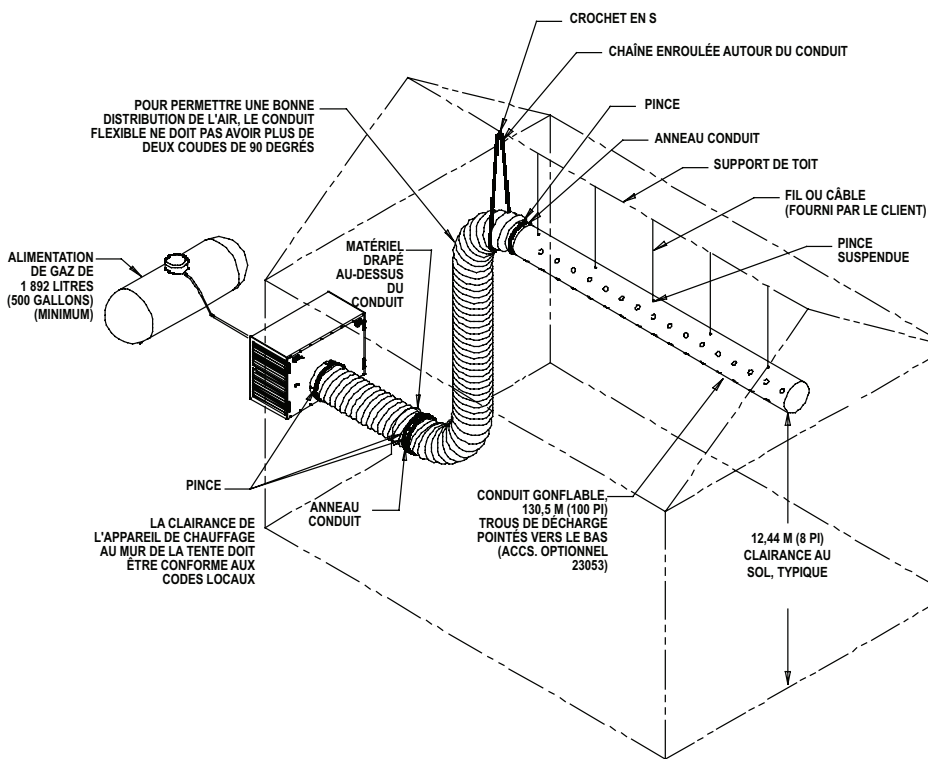
FIG. 9



C. Conduit gonflable

Utilisez seulement 2 conduits flexibles lorsque vous utilisez également un conduit gonflable. Voir la figure 10.

FIG. 10



Directives de démarrage

Pour un démarrage normal.
Connectez un cordon électrique approuvé à la prise de courant mâle.

A. Fonctionnement en mode chauffage

a. Ouvrez toutes les vannes manuelles d'alimentation en carburant. Vérifiez les fuites de gaz à l'aide d'un détecteur de fuites approuvé.

b. Positionnez le sélecteur sur chauffer. Voir la figure 11.

FIG. 11



c. Le moteur du ventilateur démarrera, l'allumeur produira des étincelles et l'allumage se produira.

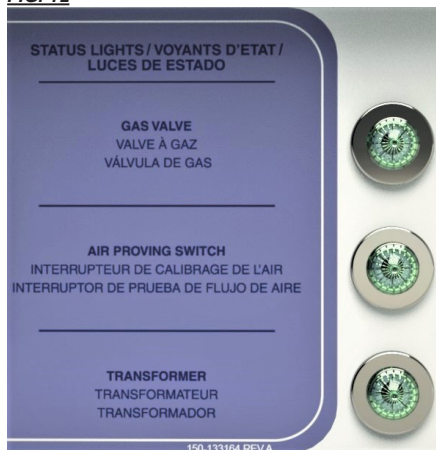
d. Si un thermostat est utilisé, il active et désactive le chauffage en fonction du point de consigne de température.

ATTENTION

■ Il est normal que de l'air soit emprisonné dans la conduite de gaz sur les nouvelles installations. Le réchauffeur peut tenter plus d'une tentative d'allumage avant que l'air ne soit finalement purgé de la conduite et que l'allumage ait lieu.

Lorsque l'interrupteur est réglé sur chauffage, trois LED d'état (voir Fig. 12) seront activées en séquence lorsque des circuits spécifiques sont vérifiés par la commande d'allumage. Si le radiateur ne s'allume pas et qu'un voyant d'état est éteint, reportez-vous au guide de dépannage ou au code QR dans ce manuel.

FIG. 12



B. Fonctionnement en mode ventilation

Lorsque l'interrupteur est positionné à « vent » (ventilation), aucun des voyants d'état ne sera allumé. Cette fonctionnalité est utilisée seulement lorsque la circulation d'air est requise.

L'appareil de chauffage ne s'allumera pas sur son réglage de thermostat. Pour désactiver la fonction de ventilation, positionnez l'interrupteur à « OFF » (Arrêt) ou « HEAT » (Chaleur).

C. OFF O

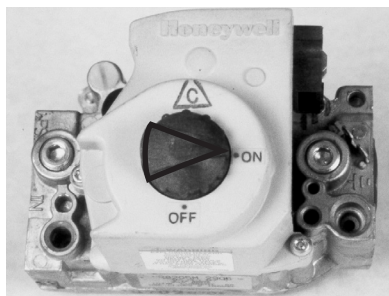
- Positionnez l'interrupteur au milieu. O

Valve de contrôle de gaz

• La commande de gaz est une vanne de conception à un seul étage. Lorsque 24 VCA est appliqué à la vanne, elle s'ouvre et délivre une sortie de gaz complète.

• La soupape de commande de gaz a une fonction d'arrêt manuel intégrée à l'ensemble de soupape. Assurez-vous que l'indicateur est en position ON. Voir la Fig.13.

FIG. 13



• Ne pas dépasser la puissance nominale apposée sur la plaque signalétique ou la pression d'orifice de brûleur recommandée par le fabricant pour la taille d'orifices utilisés. Assurez-vous que l'alimentation en air au brûleur principal est ouverte et exempte de poussière, saleté et débris pour une combustion complète et adéquate.

Directives d'arrêt

Si l'appareil de chauffage doit être éteint pour le nettoyage, l'entretien ou la réparation, suivez les étapes 1 à 5. Autrement, réglez le thermostat à une température inférieure à celle de la pièce pour un arrêt standard. Ne pas fermer l'appareil de chauffage avec le sélecteur. Cela couperait l'alimentation à l'appareil de chauffage, empêchant ainsi le refroidissement de la chambre de chaleur. L'interrupteur de limite élevée du brûleur va se déclencher.

1. Fermez la vanne d'alimentation en gaz.
2. Laissez l'appareil de chauffage brûler tout gaz restant dans la conduite d'alimentation en gaz.
3. Réglez le thermostat à une température inférieure à celle de la pièce. Lorsque le thermostat éteint le brûleur, le moteur du ventilateur continuera de fonctionner pour 1 minute, permettant à la chambre de chaleur de refroidir. Après 1 minute, le moteur du ventilateur va s'éteindre.
4. Positionnez le sélecteur à « OFF » (Arrêt).
5. Débranchez l'appareil de chauffage de ses alimentations électriques et en gaz.

Vanne de sélection de gaz

Cette fournaise est expédiée de l'usine avec la soupape de sélection de carburant en position gaz propane (LP). Assurez-vous que la poignée du sélecteur de carburant est correctement positionnée pour le carburant utilisé

1. Cette fonction permet à l'appareil de chauffage de fonctionner soit avec du propane ou du gaz naturel sans changer l'orifice du brûleur. La vanne de sélection de gaz est située entre la vanne de commande de gaz et le brûleur. La sélection de gaz est faite en repositionnant la poignée de la vanne. CECI N'EST PAS UNE VANNE DE FERMETURE DE GAZ MANUELLE.
2. Se réfère aux figures 14 et 15. La poignée de la vanne doit toujours être adéquatement positionnée pour le gaz spécifique utilisé, autrement l'unité va surchauffer ou sous-chauffer.

FIG. 14

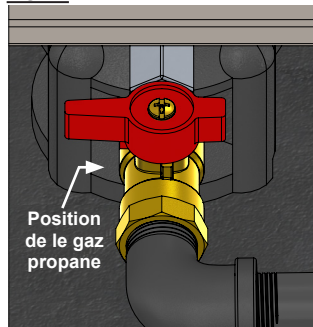
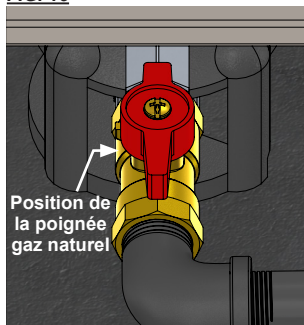
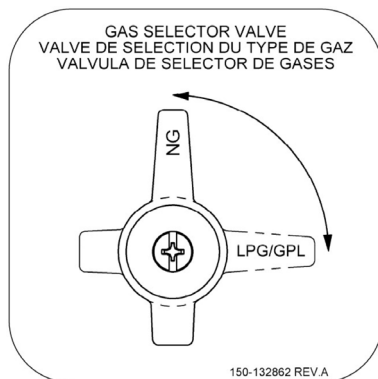


FIG. 15



3. La poignée doit être complètement tournée à 90 degrés du flux de gaz (gaz propane) ou parallèle au flux de gaz (gaz naturel) pour un fonctionnement approprié. Ne pas faire fonctionner l'appareil de chauffage avec la poignée de la vanne entre les deux positions, autrement un mauvais fonctionnement se produira.



Directives de nettoyage

AVERTISSEMENT

Risque d'incendie, de brûlure et d'explosion

- Cet appareil de chauffage contient des composantes mécaniques et électriques dans les systèmes de gestion du gaz, de sécurité et de circulation de l'air.
- Ces composantes peuvent devenir inopérantes ou défaillir en raison de la poussière, de la saleté, de l'usure, du vieillissement ou de l'atmosphère corrosive d'un bâtiment de confinement des animaux.
- L'inspection et le nettoyage périodiques ainsi que la maintenance appropriée sont essentiels pour éviter des blessures graves ou des dommages à la propriété.

1. Avant le nettoyage, fermez toutes les vannes d'alimentation en gaz et déconnectez l'alimentation électrique.
2. La saleté ou la poussière devrait être retirée de l'appareil de chauffage périodiquement :
 - a. Avant chaque utilisation, faites un nettoyage général de l'appareil de chauffage en utilisant de l'air comprimé ou une brosse douce ou un chiffon sec sur son boîtier et ses composantes internes. À ce moment, enlevez la poussière du boîtier du moteur pour prévenir une surchauffe du moteur.
 - b. Au moins une fois par année, effectuez un nettoyage en profondeur de l'appareil de chauffage. À ce moment, retirez l'ensemble du ventilateur et du moteur et brossez ou soufflez l'ensemble de pales de ventilateur. De plus, assurez-vous que les ports d'entrée d'air venturi du brûleur et l'enveloppe du brûleur soient exempts de poussière.



AVERTISSEMENT

Ne pas utiliser un nettoyeur haute pression, de l'eau, ou une solution de nettoyage liquide sur les commandes de gaz. L'utilisation d'un nettoyeur haute pression, d'eau, ou d'une solution de nettoyage liquide sur les composantes de commande peut entraîner des blessures graves ou des dommages à la propriété dus à l'eau et/ou aux liquides :

- Dans les composantes électriques et les fils, causant des chocs électriques ou la défaillance de l'équipement.
- Sur les vannes de commande de gaz causant de la corrosion, ce qui peut entraîner des fuites de gaz et des incendies ou des explosions découlant de la fuite.

Nettoyez toutes les composantes de l'appareil de chauffage avec de l'air sous pression, une brosse sèche ou un chiffon sec.

Directives d'entretien

AVANT CHAQUE UTILISATION :

- Vérifier la zone entourant l'appareil de chauffage pour assurer qu'elle est exempte de matériaux combustibles, d'essence et autres vapeurs ou liquides inflammables.
- Faites vérifier à votre fournisseur en gaz tous les raccords de gaz pour toute fuite ou restriction des conduites de gaz.
- Inspectez le régulateur de ventilation pour vous assurer qu'il n'est pas bloqué. Des débris, des insectes, des nids d'insectes, la neige, ou de la glace sur un régulateur peuvent bloquer la ventilation et causer un surplus de pression à l'appareil de chauffage.
- Vérifiez toutes les bornes de câblage et les composantes électriques à l'intérieur de l'appareil de chauffage pour de la corrosion, de l'isolation coupée ou effilochée, des connexions bien serrées, etc. Réparez ou remplacez, au besoin.
- Inspectez l'ensemble de tuyau après l'installation de l'appareil de chauffage, la relocalisation et lorsqu'il est en cours d'utilisation. En cas d'abrasion ou d'usure excessive soupçonnée, ou si le tuyau est coupé, il doit être remplacé avant de mettre l'appareil de chauffage en opération.
- Vérifiez la courroie d'entraînement du ventilateur de l'appareil de chauffage. Assurez-vous que la courroie n'est pas craquée. Si c'est le cas, remplacez-la. De plus, assurez-vous que la courroie ne glisse pas, que la tension de la courroie adéquate et que les poulies sont correctement alignées et non usées.

- Inspectez toutes les inscriptions de l'appareil de chauffage (p.ex. le schéma de câblage, les avertissements, le démarrage, l'arrêt, le dépannage, etc.) au moment de la maintenance pour leur lisibilité. Assurez-vous qu'aucune n'est endommagée, déchirée ou coupée. Toutes inscriptions endommagées doivent être remplacées immédiatement en contactant L.B. White Co, LLC. La plaque signalétique, les directives de démarrage et d'arrêt et les avertissements sont disponibles sans frais.

MENSUELLEMENT

- Lubrifiez les roulements une fois par mois. Utilisez de l'huile minérale NLGI de grade 2 au lithium ou une graisse à base de lithium.

ANNUELLEMENT :

- Nettoyer et vérifier l'allumeur pour des fissures. Remplacez, au besoin.
- Les régulateurs peuvent être usés et mal fonctionner. Faites vérifier vos codes de date situés sur tous les régulateurs installés et vérifiez les pressions de livraison à l'appareil de chauffage afin de vous assurer que le régulateur soit fiable.
- Test des deux interrupteurs de limite élevée manuels pour assurer leur bon fonctionnement. (Voir les Directives de test pour cela dans le guide du propriétaire.)

Directives de réparation

AVERTISSEMENT Risque de brûlure

- Les surfaces de l'appareil de chauffage demeurent extrêmement chaudes pendant un certain temps une fois l'appareil de chauffage éteint.
- Laissez refroidir l'appareil de chauffage avant d'effectuer la réparation, l'entretien ou le nettoyage.
- Le non-respect de cet avertissement peut causer des brûlures causant des blessures.

AVERTISSEMENT Risque d'explosion et d'incendie

- Ne démontez pas et n'essayez pas de réparer un composant de l'appareil de chauffage ou de liquéfaction du gaz, comme les vannes ou les tuyaux de gaz.
- Toutes les pièces des composants doivent être remplacées si elles sont défectueuses.
- Le non-respect de cet avertissement peut causer un incendie ou des explosions, endommageant les biens, causant des blessures ou le décès.

1. Fermez la vanne d'alimentation en gaz de l'appareil de chauffage et débranchez l'alimentation électrique de l'appareil de chauffage avant d'effectuer la réparation, à moins qu'il ne soit nécessaire pour suivre votre procédure de réparation.
2. Nettoyez l'orifice principal de l'appareil de chauffage avec de l'air comprimé, ou un linge sec et doux. N'utilisez pas de lime, de perceuse ou de foret, etc. pour nettoyer le trou de l'orifice. Si vous le faites, le trou s'agrandira, causant une combustion ou des problèmes d'allumage. Remplacez l'orifice s'il ne peut pas être bien nettoyé.
3. Les interrupteurs de limite élevée, l'interrupteur « heat »/ « vent » et le thermostat peuvent être testés en déconnectant les contacts à la composante et en faisant un pont avec les contacts.
 - Rebranchez l'alimentation électrique et ouvrez les vannes d'alimentation en combustible.
 - Si l'appareil de chauffage s'allume, la composante est défectueuse et doit être remplacée.
 - Ne pas laisser le pont en place ou faire fonctionner l'appareil de chauffage si la pièce est défectueuse. Remplacez la pièce immédiatement.
 - Une méthode alternative pour vérifier les composantes est d'effectuer une vérification de continuité.
4. L'interrupteur de vérification de débit d'air ne doit pas être pontée. Si pontée, la commande d'allumage ne permettra pas le fonctionnement de l'appareil de chauffage. Testez l'interrupteur de vérification de débit d'air pour la continuité. Si défectueux, remplacez l'interrupteur.
5. Ouvrez le panneau du boîtier concerné pour accéder aux composantes du brûleur ou du ventilateur.

6. Pour effectuer le remontage, inversez la procédure de réparation respective. Assurez-vous que les raccords de gaz soient bien serrés.
7. Après la réparation, allumez l'appareil de chauffage pour assurer une bonne opération et vérifiez les fuites de gaz.
8. Si des clés pour poulie ou ventilateur sont perdues au cours de l'entretien, les remplacements sont 4,7 mm (3/16 po) carré x barres de 2,54 cm (1 po) . Autrement, commandez la pièce no 22955.

Remplacement de courroie

1. Retirer le protège-courroie de la fournaise. Consulter la Figure 16.
2. Faites tourner la poulie de soufflante dans le sens antihoraire tout en soulevant soigneusement la courroie pour qu'elle se dégage de la rainure de la poulie de soufflante. Reportez-vous à la Figure 17.
3. Vérifier si les poulies du ventilateur et du moteur sont sales. Nettoyer la poulie le cas échéant.
4. Lors de la réinstallation de la courroie, assurez-vous que les flèches sont dirigées dans le sens anti-horaire Consulter la Figure 18.

FIG. 16

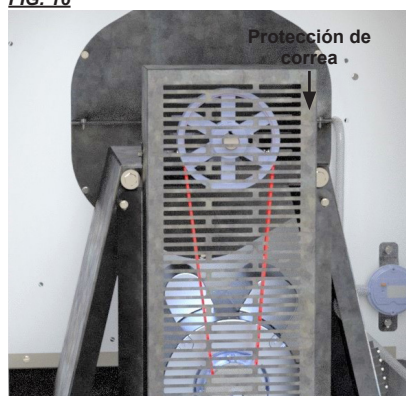


FIG. 17



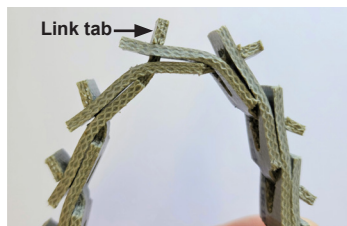
FIG. 18



Retrait du maillon de ceinture

Une utilisation prolongée peut entraîner le desserrage de la courroie sur la poulie du ventilateur ou sur la poulie du moteur. La connexion de la ceinture devra peut-être être réduite.

1. Retirez la courroie conformément à la procédure de remplacement de la courroie.
2. Retournez la ceinture à l'envers.
3. Tenez la ceinture à l'envers et pliez-la pour exposer la languette de liaison.



4. Faites pivoter la languette de 90° parallèlement à la fente.
5. Tirez l'extrémité du lien sur la languette.



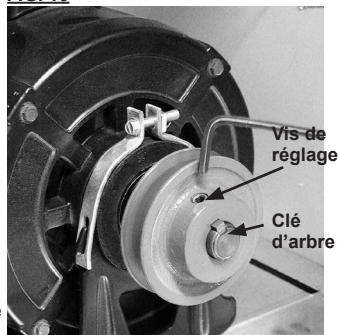
6. Faites pivoter l'extrémité de la courroie avec la languette de 90°.
7. Passez l'extrémité de la ceinture dans les deux maillons.
8. Retirez la languette du lien de ceinture.
9. Pour remonter, inversez les processus.
10. Retournez la courroie avant de l'installer sur les poulies.



Poulies du ventilateur et du moteur

1. Retirez le protège-courroie de l'appareil de chauffage.
2. Retirez la courroie des poulies. Voir remplacement de courroie
3. Desserrer la vis de réglage sur les poulies du ventilateur et du moteur avec une clé Allen 9/64 po. Voir la Fig. 19.
4. Retirez les poulies et les clés de l'arbre du ventilateur et du moteur

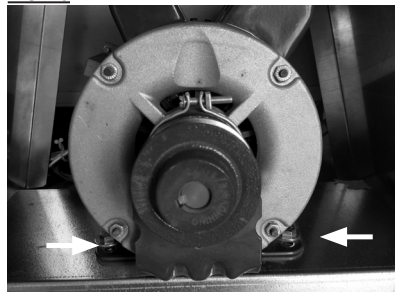
FIG. 19



Moteur du ventilateur

1. Retirez le protège-courroie de l'appareil de chauffage.
2. Retirez la courroie du ventilateur.
3. Retirez la poulie du moteur du moteur et du matériel de montage. Voir la Fig. 20.

FIG. 20



4. Ouvrez l'accès au panneau d'alimentation électrique sur le moteur et déconnectez le câblage d'alimentation. Voir la Fig. 21.

FIG. 21

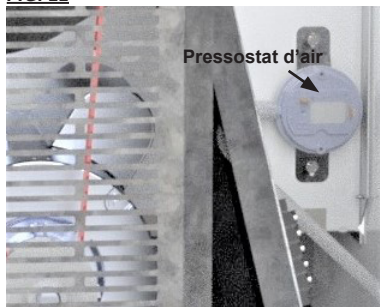


5. Retirez la poulie du moteur de l'arbre du moteur.
- Lors de l'installation du moteur, assurez-vous que la poulie du moteur affleure l'extrémité de l'arbre du moteur.

Pressostat d'air

Le pressostat d'air est situé sur le côté du boîtier du ventilateur, au-dessus du moteur du ventilateur, à l'intérieur de la porte à persiennes. Voir la Fig. 22.

FIG. 22



1. Débranchez les fils électriques du pressostat d'air.
2. Retirez les tubes transparents du pressostat d'air.
3. Débranchez les fils du pressostat d'air.

Si les contacts du pressostat d'air sont fermés lors d'un appel de chaleur avant le démarrage du moteur du ventilateur, ou ne se ferment pas après le démarrage du moteur du ventilateur, l'allumeur ne produira pas d'étincelles et la soupape de gaz ne s'ouvrira pas..

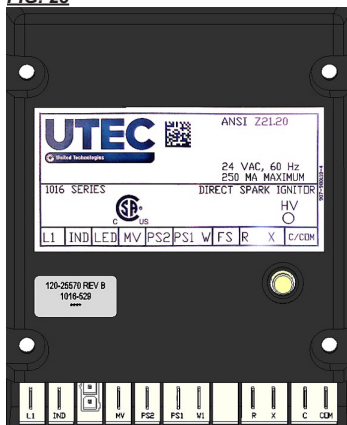
Commande de l'allumage

La commande envoie et reçoit des tensions pour faire fonctionner ou vérifier le fonctionnement des composants. Reportez-vous à ce qui suit et à la Fig. 23 pour comprendre les désignations des bornes de la commande d'allumage si vous effectuez des vérifications de tension sur la commande.

- L1:** Tension d'alimentation principale à contrôler.
IND: tension d'alimentation principale de la commande au moteur
MV: 24 VCA de la commande à la vanne de commande de gaz.
PS2: retour 24VAC du pressostat d'air
PS1: 24 VCA de la commande au pressostat d'air
W: 24 VAC depuis l'interrupteur du thermostat
FS: Pas de terminal
R: 24 VAC vers l'interrupteur du thermostat
X: 24 VCA du transformateur (sans 24 VCA, le contrôleur ne fonctionnera pas).
C/COM: Terre

Référez-vous également à «Séquence de fonctionnement» dans ce manuel si nécessaire pour comprendre le fonctionnement de la commande d'allumage pendant un appel de chaleur.

FIG. 23



Relais

Le relais est responsable de l'approvisionnement en puissance au moteur. Les nombres adjacents aux bornes mâles pour référence de la tension reçue et fournie pour le dépannage. Référez-vous à la figure 24 et au tableau suivant de connexion pour les vérifications de tension et de câblage.

Borne	Fonction
COM	Contact d'alimentation
NO	Contact de charge
BORNES DE BOBINE	Contact fermé, COM & NO

FIG. 24

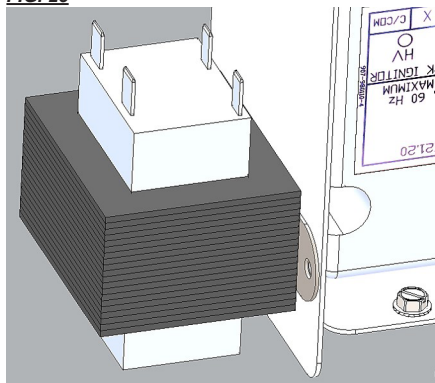


Transformateur

Le transformateur réduit la tension de l'alimentation principale FIG. 25 à 24 VCA pour le fonctionnement de la commande d'allumage.

Sans cette alimentation de 24 VCA du transformateur, la commande d'allumage ne fonctionnera pas, et l'appareil de chauffage non plus.

FIG. 25



Ensemble d'allumage

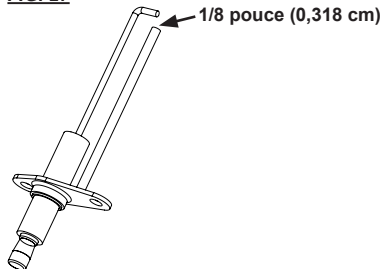
L'allumeur est monté sur le panneau de la chambre de chauffage.

FIG. 26



1. Débranchez le fil d'allumage haute tension de l'allume-ci-gare.
2. Retirez les deux vis fixant le briquet au panneau de tôle.
3. L'espace de l'allumeur doit être de 1/8 po (0,318 cm). Voir la Fig.27.

FIG. 27



L'allumeur et la tige de mise à la terre devraient être nettoyés au cours de la maintenance de routine pour maintenir un allumage adéquat.

- Utilisez de la laine d'acier ou une toile d'émeri.
- Frottez énergiquement pour retirer l'accumulation de poussière, de saleté, et d'oxyde.

- Inspectez la base de céramique de l'allumeur pour des fissures.
 - Remplacez l'allumeur si des fissures sont trouvées.

Interrupteurs de limite élevée à réinitialisation manuelle



AVERTISSEMENT

Risque de brûlure

- Ne pas faire fonctionner l'appareil de chauffage lorsque les interrupteurs de limite élevée sont contournés.
- Faire fonctionner l'appareil de chauffage avec des interrupteurs de limite élevée contournés peut entraîner une surchauffe, possiblement un incendie avec des dommages subséquents à l'appareil de chauffage et à la propriété.

Cet appareil de chauffage a deux interrupteurs de limite élevée. Un est situé à l'extrémité du brûleur de l'appareil de chauffage sur la chambre de chauffage. Voir la Fig. 28. L'autre est situé sur le boîtier du ventilateur derrière le moteur du ventilateur. Voir la Fig. 29.

FIG. 28

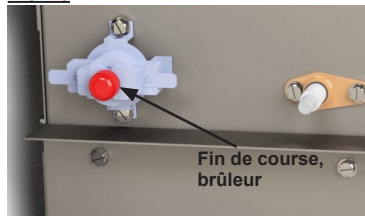
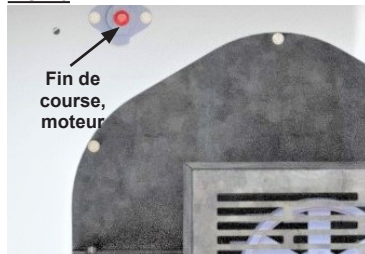


FIG. 29



Leur but est de mettre hors tension la soupape de commande de gaz si le réchauffeur devait surchauffer.

Fin de course brûleur: Protège le brûleur et le câblage associé de la surchauffe causée par une pression de gaz excessive.

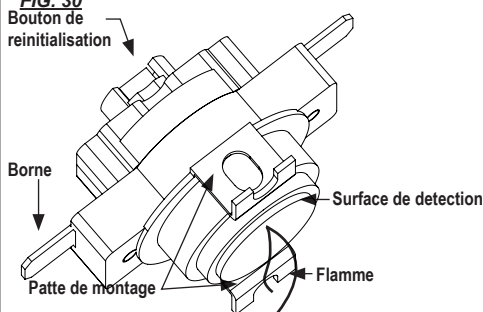
Fin de course moteur: Protège de la surchauffe si le conduit est plié ou restreint, ou si l'entrée d'air est bloquée.

Les interrupteurs sont câblés en série et déconnecteront l'alimentation à la vanne de commande de gaz s'ils détectent une condition de surchauffe.

Les deux interrupteurs de limite élevée devraient être testés au moins une fois par an lorsque le chauffage est nettoyé en profondeur.

1. Retirez les interrupteurs de limite supérieure du radiateur. Retirez également le capuchon rouge des deux interrupteurs.
2. En tenant un interrupteur par l'un de ses pieds, appliquez une petite flamme seulement à la portion de détection à l'arrière de l'interrupteur. Voir la figure 30. Veillez à ne pas faire fondre le boîtier en plastique de l'interrupteur lorsque vous effectuez ce test.

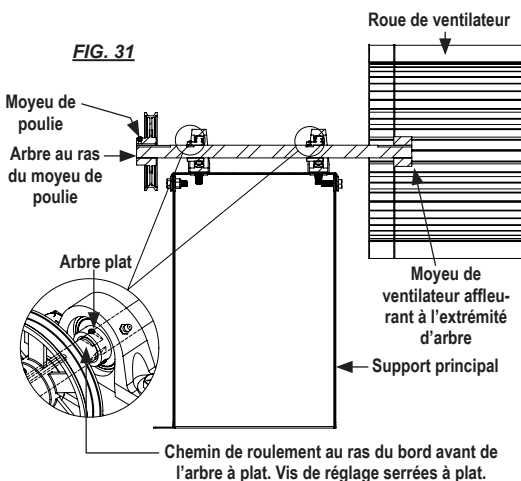
FIG. 30



3. À l'intérieur d'une minute, vous devriez entendre les contacts de l'interrupteur s'ouvrir.
4. Laisser l'interrupteur refroidir pendant environ une minute avant d'appuyer fermement sur le bouton de remise à zéro. Remettre le capuchon rouge sur l'interrupteur.
5. Vérifier la continuité électrique entre les bornes de l'interrupteur pour vous assurer que les contacts se sont fermés.

Roue du ventilateur, roulements et arbre

1. Retirer ce qui suit :
 - a. Protège-courroie et courroie.
 - b. Boulons et rondelles fixant la plateforme de roulement à la base de la fournaise.
 - c. Vis fixant le panneau du ventilateur sur le boîtier du ventilateur.
2. Faire glisser l'ensemble complet de la fournaise.
3. Remplacer les composants au besoin
4. Lors de la réinstallation, s'assurer que l'arbre du ventilateur est de niveau avec le moyeu du ventilateur et la poulie du ventilateur. Voir la Fig. 31.



Orifice du brûleur et vanne de commande de gaz

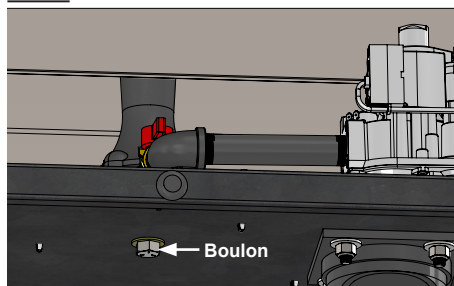
1. Retirez le tuyau et le raccord fileté de l'entrée de la vanne de commande.
2. Ouvrez la porte d'extrémité de l'appareil de chauffage.
3. Retirez les vis du support de commande de gaz et déconnectez le câblage électrique de la vanne. Voir la Fig. 32.

FIG. 32



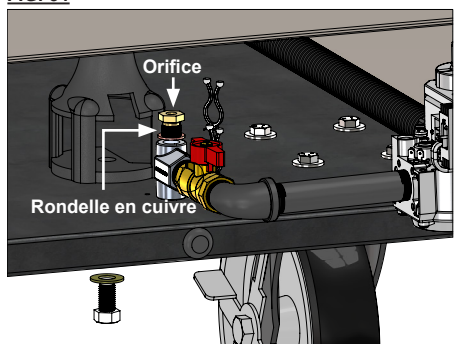
4. Retirez le boulon de retenue du brûleur d'en dessous de la base à la commande de gaz à l'extrémité de l'appareil de chauffage. Voir la Fig. 33.

FIG. 33



5. Tirez l'ensemble du train de gaz pour que le trou soit exposé. Voir la Fig. 34. La vanne de régulation de gaz ou l'orifice doit être remplacé.

FIG. 34



Vérifiez la pression du gaz



AVERTISSEMENT

Risque de brûlure

- Ne démontez pas la vanne de régulation de gaz
- N'essayez pas de remplacer les composants de la vanne de régulation de gaz.
- La vanne de régulation de gaz doit être remplacée si des dommages physiques surviennent à l'ensemble de vanne de régulation.
- Le non-respect de cet avertissement entraînera un incendie ou des explosions, entraînant des blessures, voire la mort, ainsi que des dommages matériels.

ATTENTION

- Ce qui suit explique la procédure typique à suivre pour vérifier les pressions de gaz.
- Les pressions de gaz vont varier selon le type de gaz.
- Consultez la plaque signalétique sur l'appareil de chauffage ou la page 4 dans ce manuel pour des pressions spécifiques à utiliser conjointement avec cette procédure.
- La pression de gaz mesurée à l'entrée de la vanne de gaz est la Pression d'entrée et la pression de gaz mesurée à la sortie de la vanne de gaz est la Pression de la rampe du brûleur.

MATÉRIEL REQUIS

Quantité	Description
2	Jauges de pression capables de lire jusqu'à 35 po CE/8,7 kPA. (Disponible de L.B. White Company si souhaité)

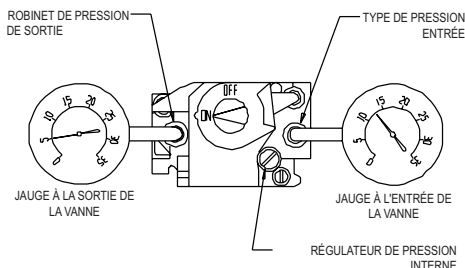
A. Préparation

1. Déconnectez l'appareil de chauffage de l'alimentation électrique et fermez la vanne d'alimentation en gaz à l'appareil de chauffage.
2. Ouvrez le panneau d'accès à l'extrémité de l'appareil de chauffage.
3. Brossez ou soufflez la poussière et la saleté se trouvant sur ou dans la vanne de commande de gaz.

B. Installation de la jauge

1. Repérez les robinets manométriques de commande du gaz. Voir la figure 35 à l'aide d'une clé Allen de 3/16 po, retirez les bouchons des robinets manométriques.
2. Connectez solidement les jauges de pression à ces points.
3. Ouvrez les vannes d'alimentation en gaz à l'appareil de chauffage et reconnectez l'alimentation électrique également.
4. Démarrez l'appareil de chauffage.

FIG. 35



C. Lecture des pressions

1. Avec l'opération de l'appareil de chauffage, la jauge de pression devrait indiquer la pression spécifiée sur la plaque signalétique.
2. Est-ce que les lectures aux jauges de pression d'entrée et de sortie correspondent à ce qui est spécifié sur la plaque signalétique? Si oui, aucune besoin de vérification ou d'ajustement. Passez à la Section D.
3. Si les pressions d'entrée ne correspondent pas à ce qui est spécifié sur la plaque signalétique, alors le régulateur qui contrôle la pression du gaz vers l'appareil de chauffage requiert un ajustement.
4. Si la pression d'entrée est correct, mais que la pression de la rampe du brûleur ne correspond pas à ce qui est spécifié sur la plaque signalétique, alors le régulateur de pression interne de la vanne de commande de gaz requiert un ajustement :
 - Retirez le capuchon du régulateur sur la vanne de commande.
 - En utilisant un tournevis standard, tournez le vis de réglage dans le sens horaire (pour augmenter la pression) ou antihoraire (pour diminuer la pression) jusqu'à ce que la pression de la rampe du brûleur soit réglée.
 - Installez le capuchon du régulateur.
 - Procédez à EXÉCUTION.

D. Exécution

1. Une fois que les pressions d'entrée et de la rampe de brûleur sont confirmées et/ou configurées correctement, fermez la vanne d'alimentation en gaz de l'appareil de chauffage et laissez-le brûler tout le gaz restant dans la ligne d'alimentation en gaz.
2. Débranchez l'appareil de chauffage de l'alimentation électrique et fermez la vanne d'alimentation en combustible.
3. Retirez les jauges.
4. Installez les bouches de prises de pression.
5. Ouvrez la vanne d'alimentation de combustible et reconnectez l'alimentation électrique à l'appareil de chauffage. Démarrez l'appareil de chauffage et vérifiez s'il y a des fuites de gaz.
6. Réglez le thermostat à la température souhaitée.

Guide de dépannage

LISEZ TOUTE CETTE SECTION AVANT DE COMMENCER À RÉSOUDRE LES PROBLÈMES.



AVERTISSEMENT

- Cet appareil de chauffage peut démarrer à n'importe quel moment.
- Effectuer le dépannage de ce système peut signifier faire fonctionner l'unité avec la tension et le gaz en marche. Soyez prudents lorsque vous travaillez sur l'appareil de chauffage.
- Le non-respect de cet avertissement peut causer des dommages à la propriété, des blessures personnelles ou le décès.

Le guide de dépannage suivant fournit les procédures systématiques pour isoler les problèmes d'équipement. Ce guide est conçu pour être utilisé par une PERSONNE QUALIFIÉE EN APPAREIL DE CHAUFFAGE AU GAZ. NE TENTEZ PAS DE RÉPARER CES APPAREILS DE CHAUFFAGE À MOINS D'AVOIR ÉTÉ DÛMENT FORMÉ.

ÉQUIPEMENT DE TEST REQUIS

Les pièces d'équipement de test suivantes seront nécessaires pour dépanner ce système avec un minimum de temps et d'efforts.

- **Multimètre numérique** - pour mesurer la tension CA et la résistance.
- **Jauge de basse pression** - pour vérifier les pressions d'entrée et de sortie à la vanne de commande de gaz contre la notation maximale de la plaque signalétique.
- Inspectez visuellement l'équipement pour des dommages apparents.
- Inspectez tout le câblage pour des connexions lâches ou usées

Référez-vous à la séquence de fonctionnement du système dans cette section pour acquérir une compréhension de la façon dont l'équipement fonctionne au cours d'un appel de chaleur. Comprendre la séquence de fonctionnement du module d'allumage et des composants reliés est essentiel, car il y sera fait référence directement dans les organigrammes de résolution de problèmes.

Le module de commande d'allumage est autodiagnostique. Le voyant rouge, situé dans le sélecteur, clignotera selon une séquence spécifique selon le problème qui est identifié. Pour utiliser efficacement les organigrammes, vous devez d'abord identifier le problème par la séquence de la DEL (diode électroluminescente) diagnostique. Si le voyant clignote, la séquence de clignotement sera suivie par une pause, puis à nouveau la séquence de clignotement, jusqu'à ce que le problème soit résolu. Référez-vous aux tableaux ci-dessous pour identifier à quelle page vous référer lors de la résolution de problèmes.

Le voyant DEL ne sera allumé que lorsque le sélecteur est positionné à « HEAT » (chaleur) et que le thermostat est réglé à une température au-dessus de la température ambiante. Le voyant ne s'allumera pas lorsque le sélecteur est positionné à « VENT ».

Problèmes en mode chauffage	Page
Le voltmètre n'affiche pas la tension.....	27
Le voyant d'état du transformateur n'est pas allumé.....	27
Le voyant d'état de la pression d'air n'est pas allumé.....	28
Le voyant d'état de la commande de gaz n'est pas allumé.....	29
Toutes les lumières sont allumées, le moteur du ventilateur fonctionne, le brûleur ne s'allume pas.....	30
Tous les voyants sont allumés, SAUF le voyant de la soupape à gaz. Le moteur du ventilateur ne fonctionne pas, le brûleur ne s'allume pas.....	31
Le radiateur s'allume mais ne reste pas allumé.....	31

Problèmes en mode ventilation 31

Les composants doivent être remplacés seulement après avoir complété chaque étape et le remplacement doit se faire selon ce qui est suggéré dans l'organigramme. Référez-vous aux sections de Réparation tel que nécessaire pour obtenir de l'information sur les procédures de démontage et de remplacement du composant une fois que le problème est identifié sur l'organigramme.

SÉQUENCE DE FONCTIONNEMENT D'ALLUMAGE DIRECT:

- Le sélecteur est réglé sur CHALEUR.
 - Voltmètre activé indiquant la tension au chauffage
- La tension de ligne est envoyée au transformateur et à la commande d'allumage (L1).
- Le transformateur réduit la tension de ligne à 24 volts qui est envoyée au contrôle d'allumage.
 - Le voyant du transformateur est activé, indiquant que la commande d'allumage reçoit 24 volts du transformateur.
- Le module de commande d'allumage envoie 24 volts au commutateur du thermostat.
 - Le thermostat demande de la chaleur ou l'interrupteur du thermostat est en réglage MANUEL.
- Le thermostat envoie 24 volts à la commande d'allumage (W).
- Le module de commande d'allumage effectue un contrôle de sécurité automatique.
- La commande d'allumage (PS1) envoie 24 volts au pressostat d'air.
- La commande d'allumage (IND) envoie la tension de ligne au relais du moteur.
 - Le relais moteur se ferme.
- Le moteur du ventilateur démarre.
- Le pressostat d'air se ferme et le 24 volts est renvoyé au module de commande d'allumage (PS2).

- Le voyant du pressostat d'air s'allume indiquant que le circuit de pression d'air fonctionne correctement.
- La commande d'allumage commence la séquence d'essai d'allumage.
- La commande d'allumage envoie une haute tension à l'électrode de l'allumeur.
 - L'allumeur fait des étincelles.
- La commande d'allumage (MV) envoie 24 volts à la soupape de commande de gaz via le(s) interrupteur(s) de limite haute.
 - Le voyant de la vanne de gaz est activé, indiquant que la vanne de contrôle du gaz reçoit 24 volts.
 - La vanne de régulation du gaz s'ouvre.
 - L'allumage se produit.
- L'allumeur continue de produire des étincelles jusqu'à ce que la flamme se vérifie.
 - L'étincelle d'allumage est coupée.
 - Le robinet de gaz reste ouvert.
- La pièce se réchauffe à la température désirée.
 - Le thermostat est satisfait.
 - Le contrôle du gaz se ferme, le brûleur s'arrête.
- Le moteur du ventilateur continue de fonctionner pendant 1 minute, refroidissant la chambre thermique.
 - Le moteur du ventilateur s'arrête.
 - Le chauffage s'éteint.
- Le processus redémarre sur demande de chaleur.

SÉQUENCE DE DÉFAILLANCE D'ALLUMAGE :

- L'essai d'allumage prend environ 180 secondes.
- Si le module d'allumage ne détecte pas de flamme à chaque essai d'allumage,
 - La vanne de gaz se ferme.
 - L'étincelle d'allumage s'éteint.
 - Le module d'allumage effectuera une pré-purge pendant 60 secondes avant un autre essai d'allumage.
 - Si l'allumage n'est pas établi au cours des 3 essais d'allumage, le module se met en verrouillage de sécurité.
 - Le moteur du ventilateur s'arrête.
- Pour réessayer l'allumage, les systèmes doivent être réinitialisés :
 - Baissez le thermostat puis augmentez-le pour demander de la chaleur. ou débranchez le radiateur et rebranchez-le ou
 - Positionner le sélecteur sur off puis de nouveau sur on.

Dépannage des composants d'entraînement du ventilateur

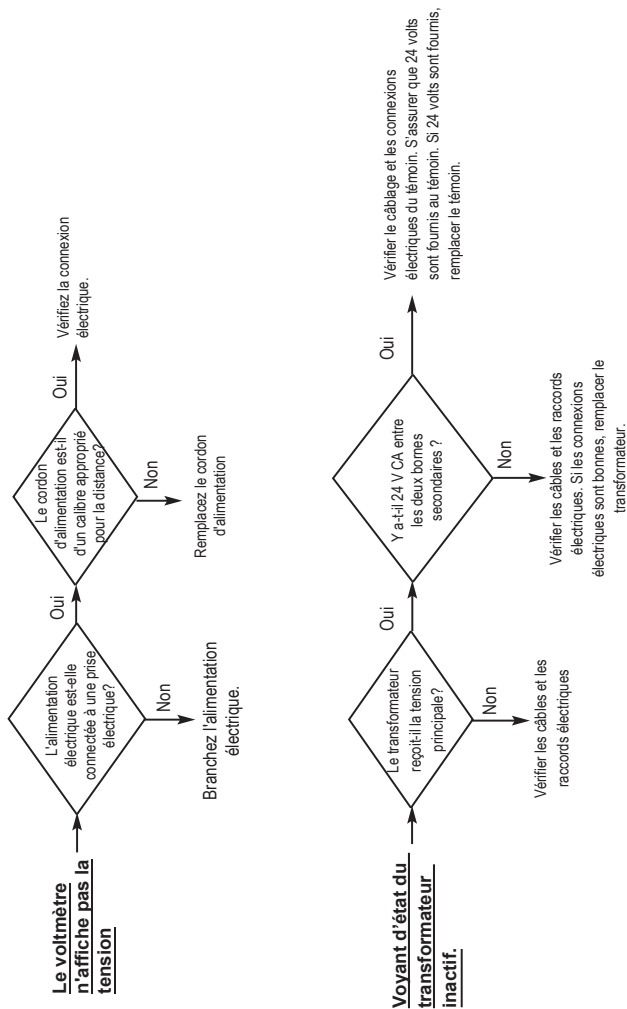
Référez-vous au tableau suivant pour identifier les problèmes de base, les causes et les solutions associées aux systèmes d'entraînement à courroie trapézoïdale.

PROBLÈME	CAUSE	SOLUTION
La courroie glisse	Poulies usées (La courroie touchant le fond de la gorge)	Remplacer les poulies
	Huile ou graisse sur la courroie	Nettoyer les poulies ou la courroie.
La courroie brise	Installation de la courroie incorrecte	Courroie forcée sur les poulies en utilisant des outils aiguisés ou pointus. Installer une nouvelle courroie adéquatement.
La courroie saute la poulie Rainures	Entraînement mal aligné	Vérifier et réaligner
	Saleté qui pénètre dans la poulie	Retirer la ceinture, nettoyer les poulies
	La courroie cogne contre le protège-courroie	Réaligner le protège-courroie (vérifier pour des vis manquantes ou lâches)
Courroie qui craque	Saleté ou graisse sur la courroie ou vieille courroie	Retirer la saleté ou remplacer la courroie.
Courroie qui s'use rapidement	Ceinture qui cogne contre le protège-courroie	Réaligner le protège-courroie (vérifier pour des vis manquantes ou lâches)
	Poulies usées	Remplacer la poulie
	Saleté dans les poulies	Retirer la saleté

MODE DE CHAUFFAGE :

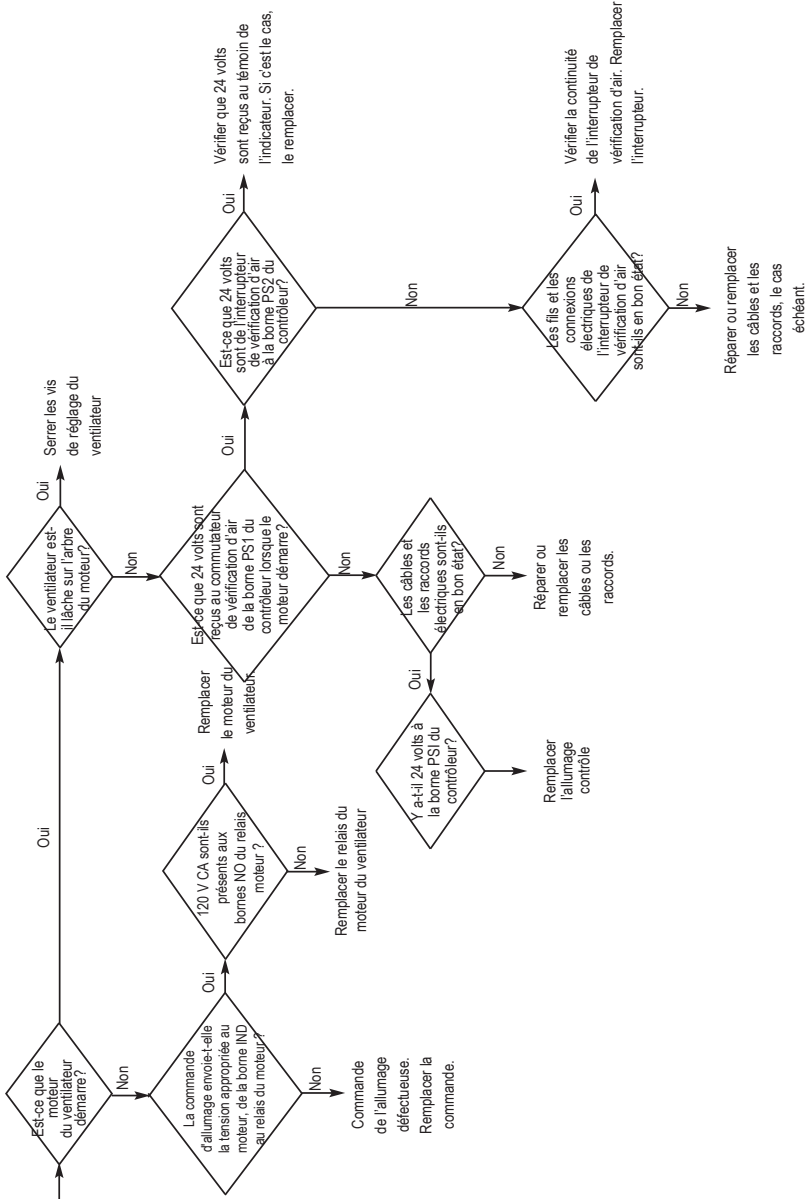
Tous les témoins sont allumés

Fonctionnement normal

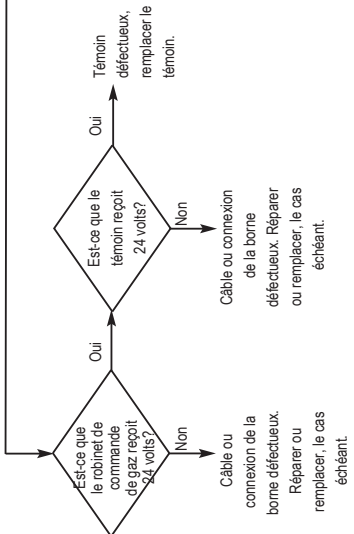
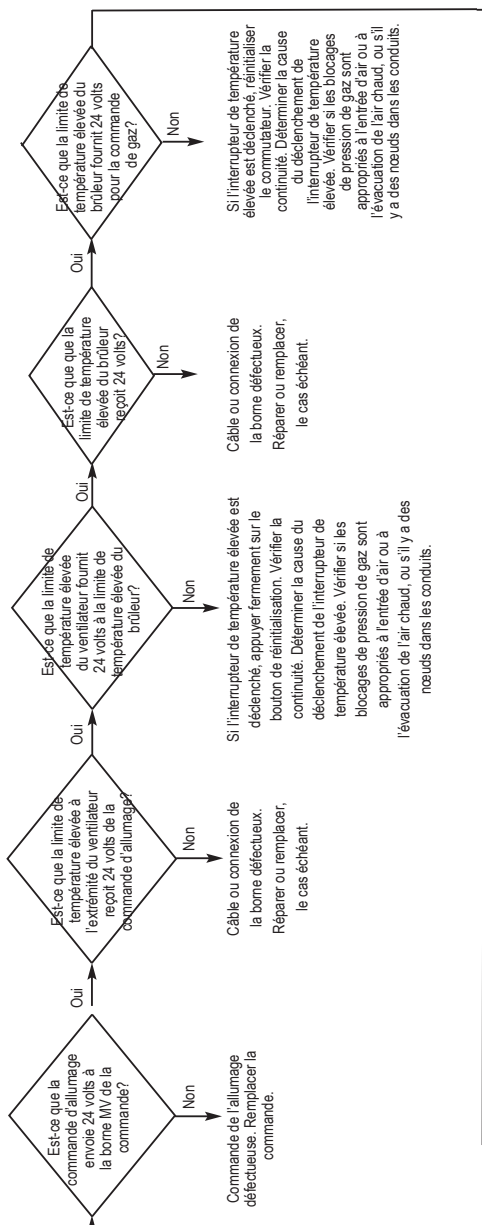


Voyant d'état du transformateur inactif.

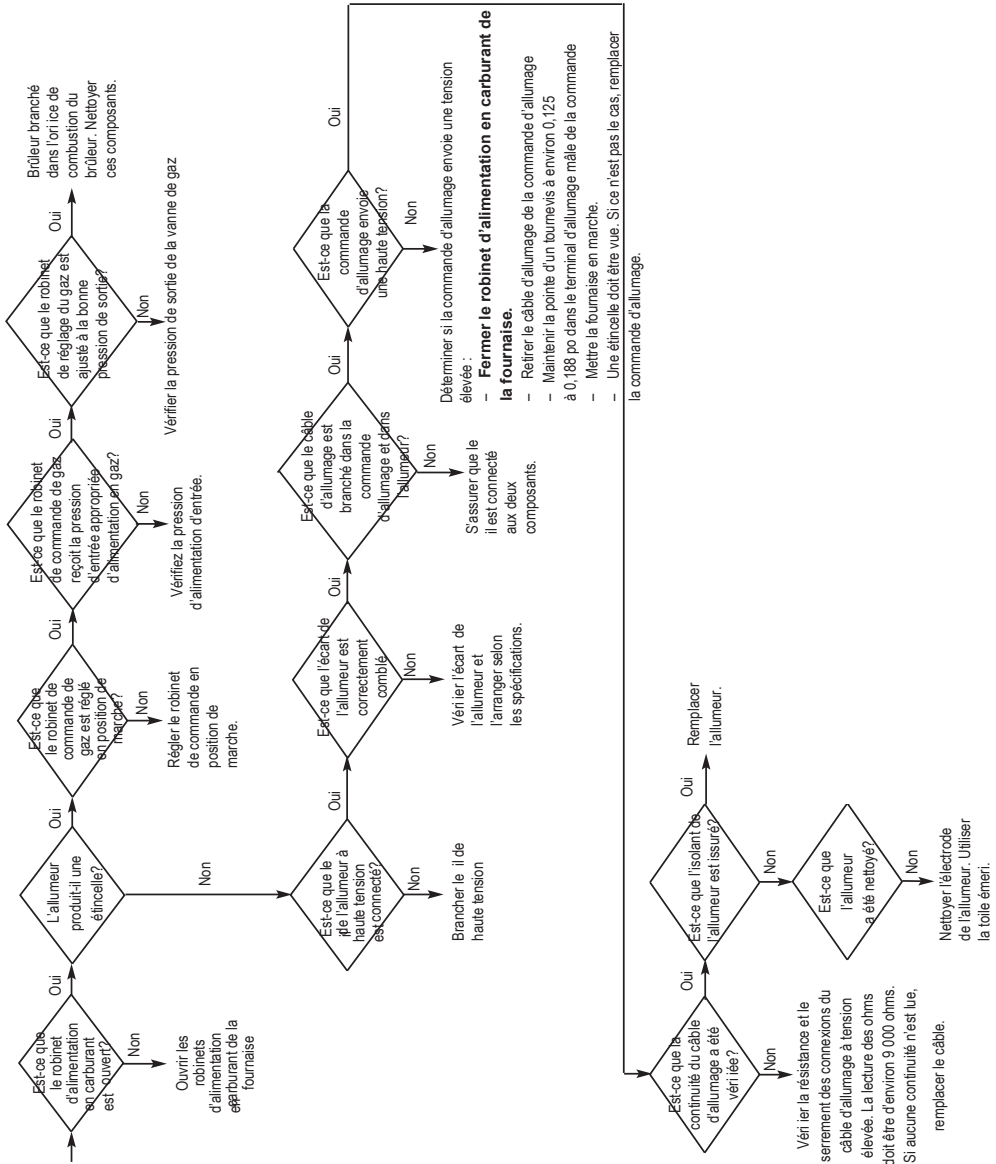
Voyant d'état de vérification d'air inactif



Voyant d'état de réglage de gaz inactif



Toutes les lumières sont allumées. Le moteur du ventilateur fonctionne mais le brûleur ne s'allume pas.



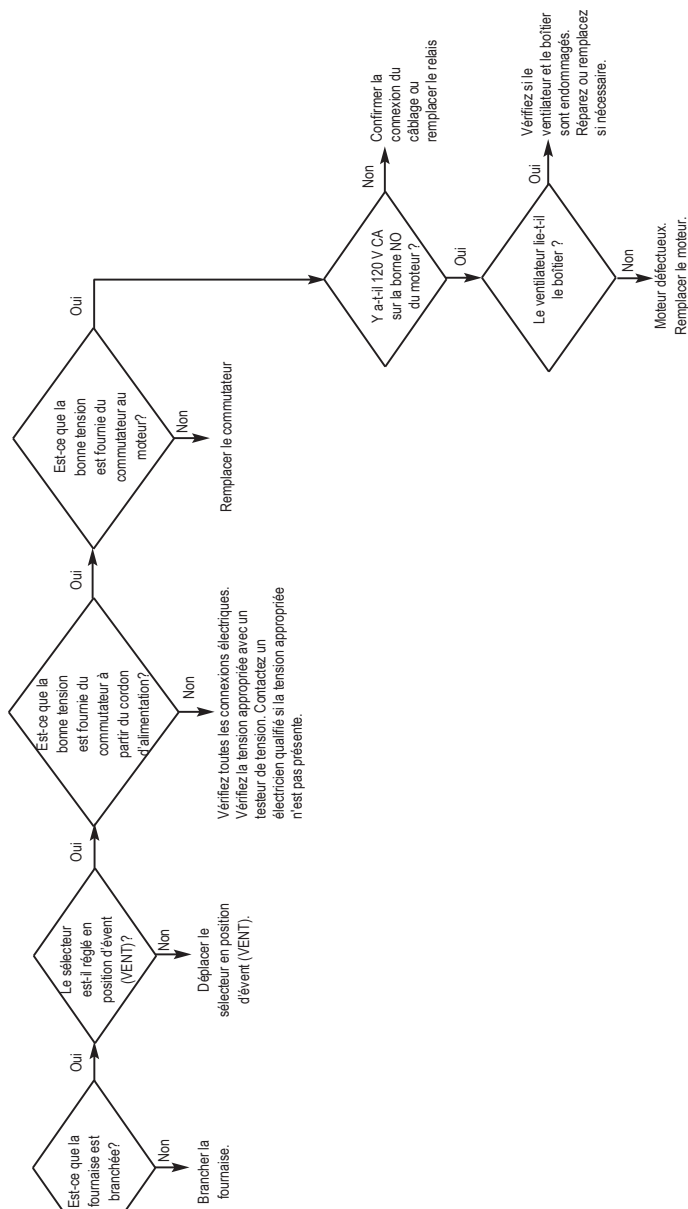
Tous les témoins sont actifs. SAUF le témoin du robinet de gaz. Le moteur du ventilateur ne fonctionne pas. Le brûleur est éteint. → Le pressostat d'air est tombé en panne en position fermée. Vérifiez s'il y a une obstruction et une continuité du flux d'air, s'il n'est pas trouvé, remplacez le commutateur.

Tous les témoins sont allumés. Le brûleur s'allume, mais ne reste pas allumé → Caused par un mauvais sens de la flamme ou des problèmes liés au sens de la flamme Vérifiez s'il n'y a pas d'allumeur fissuré ou sale ou de mauvaise masse d'alimentation. (Le radiateur nécessite une alimentation électrique mise à la terre pour un fonctionnement continu.)

MODE DE VENTILATION :

Problème

Le moteur ne fonctionne pas.



Raccordement électrique et diagramme à échelle

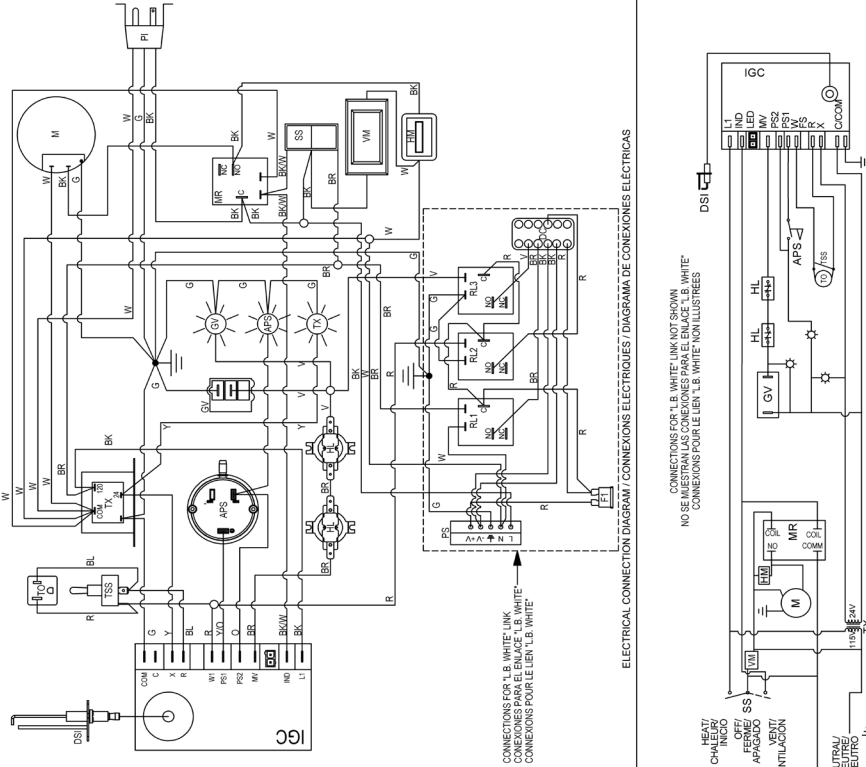
COMPONENT CODE KEY

- AFS: Air Pressure Switch/ Pressostat d'air
- DC: Interruptor de presión de aire
- DB: Disunction Connector/Conector de desconexión
- DSI: Direct Sense Igniter/ Alumineur Direct/Ensembleur
- FV: Fuse ZAF/ fusible 2A
- GV: Commande de Gaz/Vanua de Control de Gas
- HL: High Limit Heat Switch/ Interrupteur de Limite Elevee/ Interruptor de Limite Superior
- HM: Hour Meter/ Compteurs des Heures
- IGC: Ignition Control/ Control de Allumage/ Control de Encendido de Chispa
- M: Motor/Moteur
- MR: Motor Relay/Relais de Moteur/ Rele del Motor
- PI: Power Inlet/Entrée D'alimentation/ Entrada De Alimentacion
- PS: Power Supply/ Source De Courant/ Fuente De Alimentacion
- SS: Safety Switch/ Interrupteur de Sécurité/ Interruptor de Seguridad
- RL: "Relay" is Number/Relais/ est un nombre/Relé/ es número
- T: Thermostat/ Termostato
- TX: Transformer/ Transformateur/ Salida del transformado
- TSS: Thermostat Switch/ Interrupteur de Thermostat/ Transformador
- VM: Voltage Monitor/ Medidor de Voltios
- LED: LED/Voyant DEL/ Luz LED
- Earth Ground/ Mise a la terre/ Conexione tierra

WIRE COLOR CODE KEY

- BKW: Black/ Noir/ Negro
- BL: Black/ Noir/ Negro
- BLW: Blue/ Bleu/ Azul
- BR: Brown/ Brun/ Marron
- GY: Grey/ Gris
- O: Orange/ Naranja
- R: Red/ Rouge/ Rojo
- W: White/ Blanc/ Blanco
- V: Violet/ Violeta
- Y: Yellow/ Jaune/ Amarillo
- YO: Yellow/ Orange/ Striped/ Jaune, orange/ Amarelo, naranja/ raya

150-132232 REV.B



ELECTRICAL CONNECTION DIAGRAM / DIAGRAMA DE CONEXIONES ELECTRICAS

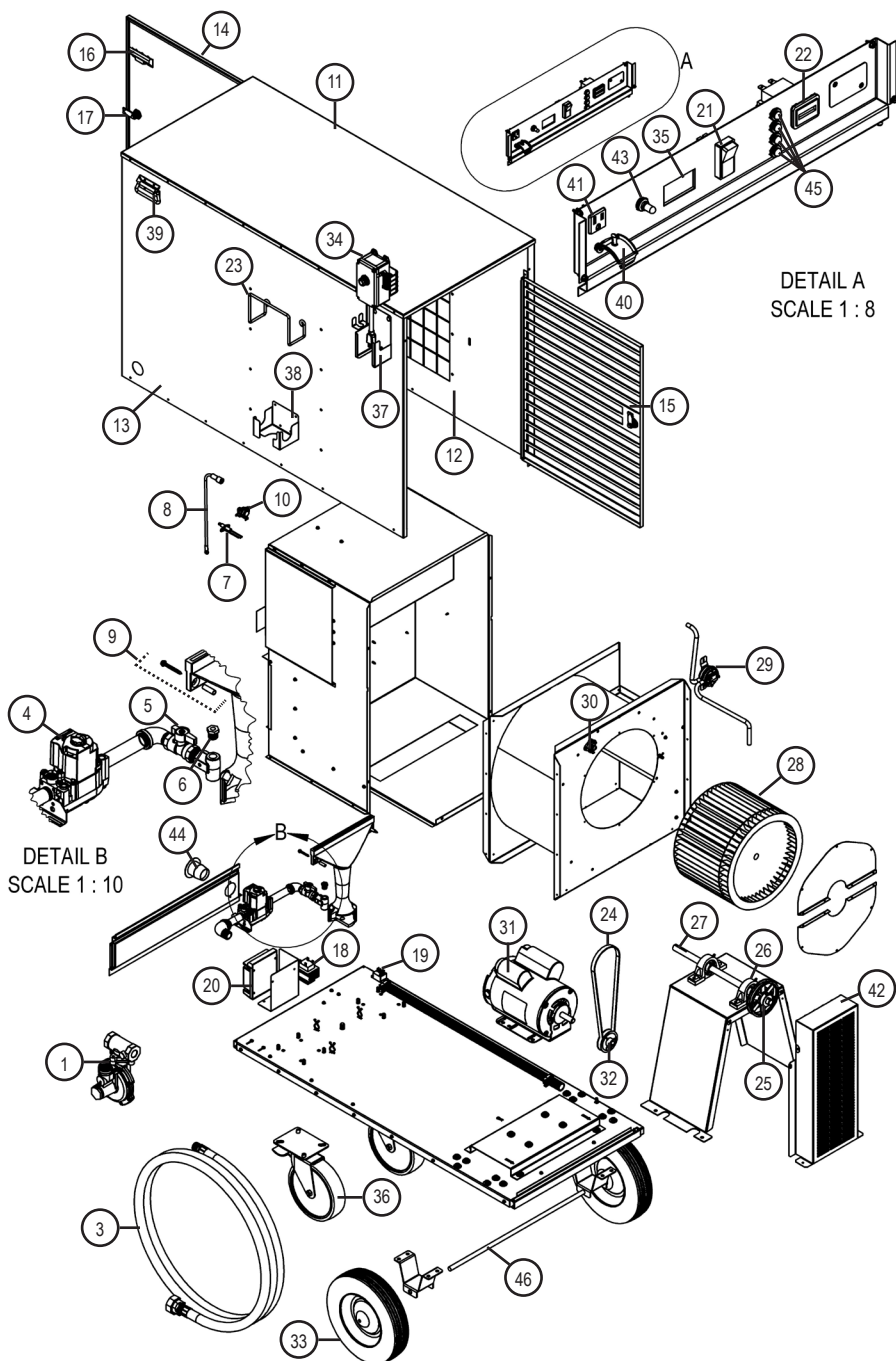
NO. 50 GAUGE CABLES AND WIRE MUST BE USED. IF ANY OF THE ORIGINAL WIRE IS FOUND TO BE WEAR OR DAMAGED, IT MUST BE REPLACED WITH THE SAME MATERIAL. MINIMUMS: TEMPERATURE RATING OF AT LEAST 302F (150°C).
 CONEXIONES PARA EL ENLAZE "LB, WHITE"
 CONEXIONES POUR LE LIEN "LB, WHITE" NON ILLUSTRES

CONNECTORS FOR 'LB, WHITE' LINK
 CONEXIONES PARA EL ENLAZE "LB, WHITE"
 CONEXIONES POUR LE LIEN "LB, WHITE"

ELECTRICAL LADDER DIAGRAM / DIAGRAMME ELECTRIQUE DE ESCALIER / DIAGRAMA ELECTRICO DE ESCALERA

IF ANY OF THE ORIGINAL WIRE IS FOUND TO BE WEAR OR DAMAGED, IT MUST BE REPLACED WITH THE SAME MATERIAL. MINIMUMS: TEMPERATURE RATING OF AT LEAST 302F (150°C).
 SI SE DEBE CAMBIAR CUALQUIER CABLE ORIGINAL PROPORCIONADO CON EL APARATO, SE DEBE CAMBIAR POR UN CABLE CON UNA CLASIFICACION DE TEMPERATURA DE AL MENOS 302F (150°C).

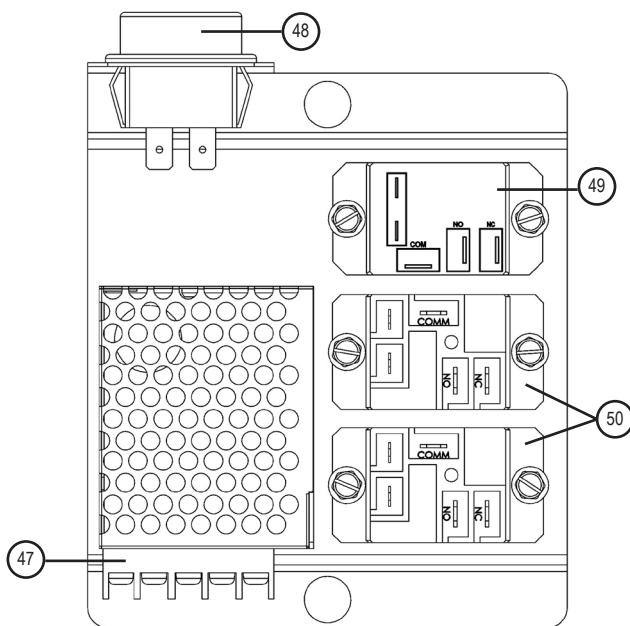
Schéma d'identification des pièces de service



Article	Description	Numéro d'article
1	Régulateur	500-25141
2	Connecteur en queue de cochon (NON ILLUSTRÉ)	500-25766
3	Tuyau, 0,02 m DI x 4,6 m (3/4 DI x 15 pi)	500-25965
4	Vanne, commande de gaz	522189
5	Vanne, sélecteur de gaz	574237
6	Orifice du brûleur avec rondelle en cuivre	574236
7	Allumeur	574196
8	Plomb, allumage, 1371 mm x 7 mm	574262
9	Matériel de montage du brûleur (2 chaque vis et entretoise)	570211
10	Interrupteur, fin de course, extrémité brûleur	571262
11	Boîtier, avant avec étiquettes	574271
12	Boîtier, avant avec étiquettes	574270
13	Boîtier, dos avec étiquettes	574272
14	Porte du boîtier, brûleur avec étiquettes	574274
15	Porte de caisse, persiennes avec étiquette	574273
16	Poignée, porte, encastrée	574124
17	Loquet, porte	574162
18	Transformateur, 120/24, 40VA	573697
19	Relais, 120V, SPNO, 40 AMP, monté sur bride	574446
20	Contrôle, allumage	574247
21	Interrupteur, bascule, ON / OFF / ON	574122
22	Compteur horaire	574121
23	Support de tuyau	571619
24	Courroie	573716
25	Poulie, ventilateur	571303
26	Roulement, coussin (2 par)	571294
27	Arbre, 3/4 po de diamètre, avec rainure de clavette	571820
28	Roue de ventilateur	571309
29	Interrupteur, pression d'air	574232
30	Interrupteur, limite haute, côté moteur	574451
31	Moteur	571327
32	Poulie, moteur	573838
33	Ensemble de roues (1 ch. Enjoliveur)	571153
34	Kit thermostat, avec cordon de 0,43 m	500-132976
	Kit thermostat, avec cordon de 7,62 m	500-30125
35	Voltmètre	573947

Article	Description	Numéro d'article
36	Roue, roulette avec matériel de montage	571193
37	Support, stockage du thermostat	574217
38	Support, stockage du régulateur	574275
39	Poignée, étui	571628
40	Couvercle, sortie thermostat	574138
41	Prises, thermostat, encliquetables	573570
42	Garde, ceinture	574189
43	Interrupteur, thermostat sélecteur avec démarrage	570456
44	Entrée, à brides, réception de puissance	574125
45	Lumière, état, vert, 24 volts	574159
46	Essieu, tige	573837

PIÈCES DE RECHANGE DU PANNEAU DE RELAIS DE PUISSANCE LINK



Article	Description	Numéro d'article
47	Alimentation, alimentation, 120VAC/12VDC	574244
48	Fusible, 32V, 2A, Type FAS	574278
49	Relais, 120VAC Bobine SPDT, 40 AMP	574253
50	Relais, 24VAC Bobine SPDT, 20 AMP	574255

Remarques

Politique de garantie

APPAREIL DE CHAUFFAGE

L.B. White Company, LLC garantit que les éléments constitutifs de son appareil de chauffage sont exempts de défaut de matériaux et de fabrication, lorsqu'ils sont correctement installés, utilisés et entretenus, conformément aux directives d'installation et d'entretien, aux guides de sécurité, ainsi qu'aux étiquettes contenues avec chaque unité. Si, dans les 24 mois à compter de la date d'achat par l'utilisateur final, un composant est jugé défectueux, L.B. White Company, LLC à son choix, réparera ou remplacera la pièce ou l'appareil de chauffage, par une nouvelle pièce ou un nouvel appareil de chauffage, F.O.B., Onalaska, Wisconsin.

L'enregistrement en ligne de votre produit auprès de L.B. White qualifiera automatiquement un appareil et ses composants à des fins de considération de garantie. Si un produit n'a pas été enregistré auprès de L.B. White, une copie de l'acte de vente sera nécessaire pour établir la qualification de la garantie. Si elle n'est pas disponible, la période de garantie sera de 24 mois à compter de la date d'expédition de L.B. White.

PIÈCES

L.B. White Company, LLC garantit que les pièces de rechange achetées auprès de la société et utilisées sur les équipements L.B. White appropriés sont exempts de défaut, à la fois matériel et de fabrication, pendant 12 mois à compter de la date d'achat par l'utilisateur final. La garantie est automatique si un composant est jugé défectueux dans les 12 mois suivant le code de la date indiquée sur la pièce. Si le défaut se produit plus de 12 mois plus tard, mais dans les 12 mois à compter de la date d'achat par l'utilisateur final, une copie de l'acte de vente sera nécessaire pour établir la qualification de la garantie.

La garantie énoncée ci-dessus est la garantie exclusive fournie par L.B. White, et toutes les autres garanties, y compris les garanties implicites de qualité marchande ou d'adéquation à un usage particulier, sont expressément exclues. Dans le cas où une garantie implicite n'est pas effectivement accordée

en raison de l'opération de la loi, cette garantie implicite est limitée en durée à la durée de la garantie applicable indiquée ci-dessus. Les solutions mentionnées ci-dessus sont les seuls et exclusifs recours disponibles aux termes des présentes. L.B. White ne sera pas responsable des dommages indirects ou consécutifs, directement ou indirectement liés à la vente, à la manutention ou à l'utilisation de l'équipement, et dans le cas où la responsabilité de L.B. White à l'égard de l'équipement, y compris pour les demandes basées sur la négligence ou la responsabilité stricte, se limite au prix d'achat.

Certains états ne permettent pas de restriction sur la durée d'une garantie implicite; ainsi, il se peut que la restriction ci-dessus puisse ne pas vous concerner. Certains états ou provinces ne permettent pas l'exclusion ou la limitation des dommages accidentels ou consécutifs, de sorte que la limitation ci-dessus peut ne pas s'appliquer à vous. Cette garantie vous offre des droits légaux spécifiques, vous pourriez aussi avoir d'autres droits qui varient d'un État à l'autre.

Pour enregistrer votre produit et pour en assurer la pleine garantie, rendez-vous à http://www.lbwhite.com/customer_care_center/product-registration/. Veuillez avoir les numéros de série et de modèle en main des produits que vous enregistrez.

Service

Communiquez avec votre revendeur L.B. White pour une réparation et des pièces de rechange. Vous pouvez aussi appeler L.B. White Company, LLC au 1 800 345-7200, pour obtenir de l'aide, ou nous envoyer un courriel à customer-service@lbwhite.com.

Assurez-vous d'avoir le numéro de modèle de votre appareil de chauffage, ainsi que le numéro de configuration lors de votre appel.



FOURNISSEUR MONDIAL - SOLUTIONS CLIMAT INNOVANTES

411 Mason Street, Onalaska, WI 54650
800-345-7200 • 608-783-5691
608 783-6115 (télécopieur)

www.lbwhite.com