



Galvanized Box Fans Direct Drive

24D370, 36D370-N, 36D370T-N,	36D370S-N, 48D750-N, 48D750T-N
------------------------------------	--------------------------------------

View this manual online at www.lbwhite.com

Inspection

After unpacking your exhaust fan, carefully inspect for any damage that may have occurred during transit. Inspect for loose, missing or damaged parts. If there is physical damage to any parts of the fan, a freight claim must be filed with the carrier. Check to assure that all bolts, screws and set screws are securely tightened and have not become loose during transit. Retighten as required. Rotate propeller by hand to assure it turns freely.

www.lbwhite.com



Congratulations!

Your new L.B. White galvanized box fan incorporates the benefits from the most experienced manufacturer of climate control products using state-of-the-art technology.

We, at L.B. White, thank you for your confidence in our products and welcome any suggestions or comments you may have...call us, toll-free, at (800) 345-7200.

**SEE INSTALLATION
INSTRUCTIONS
INSIDE**

WORLD PROVIDER - INNOVATIVE CLIMATE SOLUTIONS

411 Mason Street, Onalaska, WI 54650 • 800-345-7200 • 608-783-5691 • 608-783-6115 (fax) • www.lbwhite.com

TABLE OF CONTENTS

Specifications	4
Performance	4
Fan Installation	5
Maintenance	5
Troubleshooting Guide	6
Service Parts Identification Schematic	7
Replacement Parts and Service	8
Warranty	8

 **WARNING**

- READ AND FOLLOW ALL INSTRUCTIONS, CAUTIONS, DANGERS AND WARNINGS. FAILURE TO DO SO COULD RESULT IN PERSONAL INJURY, DEATH OR PROPERTY DAMAGE.
- MAKE SURE THE ELECTRICAL POWER SOURCE CONFORMS TO THE REQUIREMENT OF THE FAN(S) AS WELL AS LOCAL CODES.
- ELECTRICAL CONNECTIONS, INSTALLATION AND MAINTENANCE MUST BE DONE BY QUALIFIED ELECTRICAL PERSONNEL IN ACCORDANCE WITH ALL APPLICABLE CODES AND ORDINANCES.
- UNIT MUST BE ADEQUATELY GROUNDED.
- TO REDUCE THE RISK OF FIRE OR ELECTRICAL SHOCK, DO NOT EXPOSE THIS FAN TO WATER.
- DO NOT TOUCH ELECTRICALLY LIVE COMPONENTS.
- FREE ROTATION OF THE PROPELLER IS CRITICAL. IT MUST NOT TOUCH ANY PART OF THE VENTURI OR FRAMEWORK.
- ASSURE THAT ALL POWER CORDS DO NOT COME IN CONTACT WITH ANY SHARP EDGES, HOT SURFACES OR CHEMICALS. IMMEDIATELY REPLACE ANY DAMAGED CORDS.

 **CAUTION**

OSHA REQUIRES OSHA COMPLIANT GUARDS WHEN FAN IS INSTALLED WITHIN 7FT OF THE FLOOR OR WORKING LEVEL.

 **DANGER**

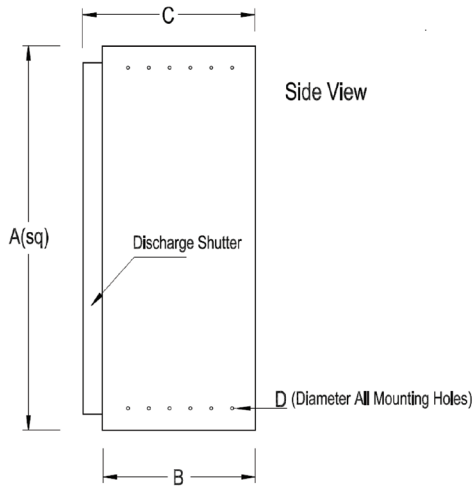
BEFORE INSTALLING OR SERVICING, ALWAYS LOCK OUT AND TAG POWER SOURCE. DO NOT RELY ON A SWITCH AS THE ONLY MEANS OF DISCONNECTING POWER. FAILURE TO DISCONNECT POWER CAN RESULT IN FIRE, ELECTRICAL SHOCK OR SERIOUS INJURY. MOTOR WILL RESTART WITHOUT WARNING AFTER THERMAL PROTECTOR TRIPS. DO NOT TOUCH AN OPERATING MOTOR AS IT MAY BE HOT ENOUGH TO CAUSE INJURY. DO NOT PLACE ANY BODY PARTS OR OBJECTS IN FAN OR DRIVE COMPONENTS WHILE FAN IS CONNECTED TO A POWER SOURCE.

 **WARNING**

Cancer and reproductive harm.
See www.P65Warnings.ca.gov

Specifications

Dimension (in.)			Rough-in Opening						
Model	Prop Dia.	A	B	C	D	Height	Width	Ship Wt	Ship. Dims.
24D370	24"	29 1/4	14 1/2	-	3/8	30	30	88	33x18x35
36D370-N	36"	40 1/8	14	-	3/8	40 3/4	40 3/4	118	44x18x47
36D370S-N	36"	40 1/8	14	16	3/8	40 3/4	40 3/4	138	48x18x47
36D370T-N	36"	40 1/8	14	-	3/8	40 3/4	40 3/4	118	44x18x47
48D750-N	48"	52 1/8	17	-	3/8	52 7/8	52 7/8	165	56x20x58
48D750T-N	48"	52 1/8	17	-	20	52 7/8	52 7/8	168	56x20x58



Performance

Model	HP	F.L.A.	Volt.	Ph	Hz	Motor RPM	CFM				CFM/Watt				Db
							0.00" SP	0.05" SP	0.10" SP	0.15" SP	0.00" SP	0.05" SP	0.10" SP	0.15" SP	
24D370	1/2	5.6/2.8	115/230	1	60	1100	5,618	5,192	4,845	4,505	11.3	10.2	9.3	8.4	73.5
36D370-N	1/2	5.2/2.6	115/230	1	60	825	11,077	10,217	9,381	8,557	21.1	18.6	16.4	14.5	76.0
36D370S-N	1/2	5.2/2.6	115/230	1	60	825	10,525	9,698	8,910	8,130	20.6	18.2	15.9	14.0	77.0
36D370T-N	1/2	2.2/1.1	230/460	3	60	825	11,150	10,280	9,450	9,625	21.0	18.6	16.3	14.4	76.0
48D750-N	1	11.0/5.5	115/230	1	60	850	18,926	17,481	15,973	14,256	19.9	17.8	15.8	13.7	80.0
48D750T-N	1	4.6/2.3	230/460	3	60	850	19,001	17,507	16,097	14,625	21.6	19.0	16.9	14.9	80.0

Fan Installation

For framing dimensions, refer to rough-in opening height and width shown in the specifications above. Position the fan for desired airflow. Air will discharge on the side of the fan facing the propeller. Assure the fan is fastened securely in the opening to avoid excess "rattling" or vibration using proper fasteners. Fasteners not included. Refer to motor nameplate for wiring diagram.

 **CAUTION**

BEFORE OPERATING YOUR NEW FAN, CHECK BLADE FOR PROPER TORQUE, CHECK ALL FASTENERS FOR TIGHTNESS AND ASSURE SCREENS AND/OR SHUTTERS ARE SECURELY IN PLACE.

Maintenance

Periodic maintenance schedules should be set to assure reliability and performance of the fan. This maintenance should include inspection of all fasteners, propeller torque and proper cleaning of the complete fan assembly. Check for excessive vibration while fan is running. Periodically inspect and tighten all set screws and hardware. Assure all mounting hardware, chains, etc. are properly secured. Motors feature permanently sealed ball bearings and require no further lubrication. The fan propeller should be periodically cleaned to assure proper balance and performance.

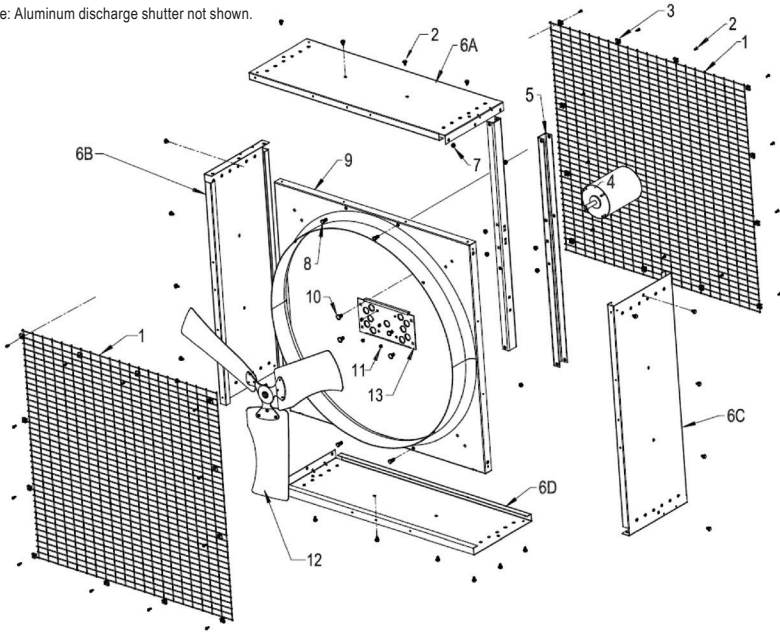
Troubleshooting Guide

Symptom	Possible Cause(s)	Corrective Action
Fan will not start	<ol style="list-style-type: none"> 1. Tripped circuit breaker 2. Defective motor 3. Incorrectly wired 4. Electricity turned off 	<ol style="list-style-type: none"> 1. Reset circuit breaker 2. Repair or replace 3. Shut off power, check for proper connections 4. Contact local power company
Excessive noise or vibration	<ol style="list-style-type: none"> 1. Blade is hitting housing 2. Blade is bent 3. Fan not securely anchored 4. Bad/noisy bearings 	<ol style="list-style-type: none"> 1. Free blade of obstruction 2. Replace blade 3. Secure properly 4. Replace motor
Insufficient airflow	<ol style="list-style-type: none"> 1. Incorrect voltage applied 2. Defective motor 3. Propeller is damaged 4. Blocked Airflow 5. Not enough intake air 6. Fan is dirty 	<ol style="list-style-type: none"> 1. Wire properly 2. Replace motor 3. Replace propeller 4. Remove obstructions 5. Add additional air intake openings 6. Clean fan guards/screens, motor and propeller
Motor overheats or trips out	<ol style="list-style-type: none"> 1. Over/under line voltage 2. Defective motor 3. Fan is dirty. 4. Not enough intake air 	<ol style="list-style-type: none"> 1. Contact local power company 2. Replace motor 3. Clean fan guards/screens, motor and propeller 4. Add additional air intake openings

Galvanized Box Fan Models

Service Parts Identification Schematic

Note: Aluminum discharge shutter not shown.



Item	Description	24D370	36D370-N	36D370S-N	36D370T-N	48D750-N	48D750-N
1	Intake & Discharge screen	24SCREEN-N	36SCREEN-N	36SCREEN-N	36SCREEN-N	48SCREEN-N	48SCREEN-N
2	Self tapping screw	S002	S002	S002	S002	S002	S002
3	Clip for screen	CLIP-SC	CLIP-SC	CLIP-SC	CLIP-SC	CLIP-SC	CLIP-SC
4	Motor	B370-6E	B370-8E	B370-8E	B370-8TE	A750-8VE	A750-8TVE
5	Upright frame piece	N/A	N/A	N/A	N/A	N/A	N/A
6	Side panel piece	N/A	N/A	N/A	N/A	N/A	N/A
7	Locking nut, 5/16-18	N004	N004	N004	N004	N004	N004
8	Hex head bolt, 5/16-18X1"	B011	B011	B011	B011	B011	B011
9	Venturi panel	N/A	N/A	N/A	N/A	N/A	N/A
10	Carriage bolt, 5/16-18X3/4"	B014	B014	B014	B014	B014	B014
11	Locking nut, 10-32	N002	N002	N002	N002	N/A	N/A
12	Propeller	9001566	9001481	9001481	9001481	9001567	9001567
13	Motor mounting plate	N/A	N/A	N/A	N/A	N/A	N/A
-	Alum discharge shutter	N/A	N/A	SA36DX	N/A	N/A	N/A

Replacement Parts and Service

Contact your local L.B. White dealer for replacement parts and service or call the L.B. White Co., Inc. at (800) 345-7200 for assistance. Be sure that you have your heater model number and configuration number when calling.

WARRANTY

L.B. White Company, LLC warrants that its manufactured products are free from defects in material and workmanship, when properly installed, operated, and maintained in accordance with the Installation and Maintenance Instructions, safety guides and labels contained with each unit. If, within 12 months from the date of purchase by the end user, any component is found to be defective, L.B. White Company, LLC will at its option, repair or replace the defective part, with a new part, F.O.B., Onalaska, Wisconsin or Franklin, Georgia. A copy of the bill of sale will be required to establish warranty qualification. If not available, the warranty period will be 12 months from date of shipment from L.B. White.

The warranty set forth above is the exclusive warranty provided by L.B. White, and all other warranties, including any implied warranties or merchantability or fitness for a particular purpose, are expressly disclaimed. In the event any implied warranty is not hereby effectively disclaimed due to operation of law, such implied warranty is limited in duration to the duration of the applicable warranty stated above. The remedies set forth above are the sole and exclusive remedies available hereunder. L.B. White will not be liable for any incidental or consequential damages directly or indirectly related to the sale, handling or use of the equipment, and in any event L.B. White's liability in connection with the equipment, including for claims based on negligence or strict liability, is limited to the purchase price.

Some states do not allow limitations on how long an implied warranty lasts, so the above limitation may not apply to you. Some states do not allow the exclusion or limitation of incidental or consequential damages, so the above limitation or exclusion may not apply to you. This warranty gives you specific legal rights, and you may also have other rights which vary from state to state.



**WORLD PROVIDER - INNOVATIVE
CLIMATE SOLUTIONS**

411 Mason Street, Onalaska, WI 54650

800-345-7200 • 608-783-5691

608-783-6115 (fax)

www.lbwhite.com