



Volt™ 6  
Electric Fan Heater

CE6.0

6kW

View this manual online at [www.lbwhite.com](http://www.lbwhite.com)

## Attention

Read and understand this manual before assembling, starting or servicing the heater. Improper use of heater can cause serious injury. Keep this manual for future reference.

FOR PROFESSIONAL USE ONLY

[www.lbwhite.com](http://www.lbwhite.com)



## Congratulations!

You have purchased the finest electric fan heater available. Your new L.B. White heater incorporates the benefits from the most experienced manufacturer of heating products using state-of-the-art technology.

We, at L.B. White, thank you for your confidence in our products and welcome any suggestions or comments you may have... contact us at 1-800-345-7200, or email us at [customerservice@lbwhite.com](mailto:customerservice@lbwhite.com).



## SCAN THIS

with your smartphone or visit <https://bit.ly/3qjEEkw> to view maintenance videos for L.B. White heaters.

*\* Requires an app like QR Droid for Android or for iPhone*

**WORLD PROVIDER - INNOVATIVE HEATING SOLUTIONS**

411 Mason Street, Onalaska, WI 54650 • 800-345-7200 • 608-783-5691 • 608-783-6115 (fax) • [www.lbwhite.com](http://www.lbwhite.com)

## TABLE OF CONTENTS

Specifications .....	4
General Information.....	5
Operation Instructions .....	5
Maintenance Instructions.....	6
Storage Instructions.....	6
Wiring Diagram.....	6
Service Parts Identification.....	7
Warranty Policy.....	8



## IMPORTANT INSTRUCTIONS

### READ ALL INSTRUCTIONS BEFORE USING THIS HEATER

- THIS HEATER IS HOT WHEN IN USE. TO AVOID BURNS, DO NOT LET BARE SKIN TOUCH HOT SURFACES. USE HANDLE WHEN MOVING THIS HEATER. KEEP COMBUSTIBLE MATERIALS AT LEAST 6 FEET (2 METER) FROM THE FRONT OF THE HEATER AND KEEP THEM AWAY FROM SIDES AND REAR
- EXTREME CAUTION IS NECESSARY WHEN THE HEATER IS USED NEAR CHILDREN OR INVALIDS AND WHENEVER THE HEATER IS LEFT UNATTENDED
- ALWAYS UNPLUG THE HEATER WHEN NOT IN USE
- DO NOT OPERATE ANY HEATER WITH A DAMAGED CORD OR PLUG OR AFTER THE HEATER MALFUNCTIONS, HAS BEEN DROPPED OR DAMAGED IN ANY MANNER. RETURN HEATER TO AUTHORIZED SERVICE FACILITY FOR EXAMINATION, ELECTRICAL OR MECHANICAL ADJUSTMENT OR REPAIR
- DO NOT USE OUTDOORS
- THIS HEATER IS NOT INTENDED FOR USE IN BATHROOMS, LAUNDRY AREAS AND SIMILAR INDOOR LOCATIONS. NEVER LOCATE THE HEATER WHERE IT MAY FALL INTO A BATHTUB OR OTHER LIQUID CONTAINER
- DO NOT RUN CORD UNDER CARPETING. DO NOT COVER CORD WITH THROW RUGS, RUNNERS, OR THE LIKE. ARRANGE CORD AWAY FROM TRAFFIC AREA AND WHERE IT WILL NOT BE TRIPPED OVER
- TO DISCONNECT HEATER, TURN CONTROLS TO OFF, THEN REMOVE PLUG FROM OUTLET
- CONNECT TO PROPERLY GROUNDED OUTLETS ONLY
- DO NOT INSERT OR ALLOW FOREIGN OBJECTS TO ENTER ANY VENTILATION OR EXHAUST OPENING AS THIS MAY CAUSE AN ELECTRIC SHOCK OR FIRE, OR DAMAGE THE HEATER
- TO PREVENT A POSSIBLE FIRE, DO NOT BLOCK AIR INTAKES OR EXHAUST IN ANY MANNER. DO NOT USE ON SOFT SURFACES, WHERE OPENINGS MAY BECOME BLOCKED
- A HEATER HAS HOT AND ARCING OR SPARKING PARTS INSIDE. DO NOT USE IN AREAS WHERE GASOLINE, PAINT OR FLAMMABLE LIQUIDS ARE USED OR STORED
- DO NOT POINT AT FLAMMABLE MATERIALS
- USE HEATER ONLY AS DESCRIBED IN THIS MANUAL. ANY OTHER USE NOT RECOMMENDED BY THE MANUFACTURER MAY CAUSE FIRE, ELECTRIC SHOCK OR INJURY TO PERSONS
- ALWAYS PLUG HEATERS DIRECTLY INTO A WALL OUTLET/RECEPTACLE. NEVER USE WITH AN EXTENSION CORD OR RELOCATABLE POWER TAP (OUTLET/POWER STRIP)
- READ THIS OWNER'S MANUAL BEFORE INSTALLING OR USING THIS PRODUCT.
- ONLY PERSONS WHO CAN READ, UNDERSTAND, AND FOLLOW THE INSTRUCTIONS SHOULD USE OR SERVICE THIS HEATER.
- SAVE THIS OWNER'S MANUAL FOR FUTURE USE AND REFERENCE.
- FOR ASSISTANCE, SEE WEBSITE OR CONTACT L.B. WHITE AT 1-800-345-7200.



### WARNING

Cancer and reproductive harm.  
See [www.P65Warnings.ca.gov](http://www.P65Warnings.ca.gov).

## Specifications

Volt™ 6	
Power (kW)	6
Maximum Output per Hour (BTU/H)	20,500
Airflow (CFM)	250
Electrical Connection (VAC/Hz/Phase)	240/60/1
Amperage Draw (A)	25
Power Cord	3x8 AWG
Plug	NEMA 14-30P
Ambient Thermostat Temperature Range	32 - 100 °F (0 - 40 °C)
Length (in.)	19.5
Width (in.)	11.8
Height (in.)	17.3
Weight (lbs.)	32.9

## General Information

Volt electric heaters are designed for professional use.

The heat is generated in sealed heating elements inside the inner barrel of the heater. Heated air is then distributed by an electric motor driven fan blowing air through the heater.

Although effectively cooled by the fan, the heating elements have high surface temperatures. That is why combustible materials must be kept at a safe distance from the heater and care must be taken that no combustible particles enter the heater with the air sucked in by the fan.

Keep the heater clean of dust at any time. Dust may cause fire when heated. Make sure that the fan blades can rotate unobstructed at all times. Do not block air intakes or exhaust in any manner.

Contact your local L. B. White distributor or the L.B. White Co., LLC for assistance, or if you have any questions about the use of the heater or its application.

The L.B. White Co., LLC has a policy of continuous product improvement. It reserves the right to change specifications and design without notice.

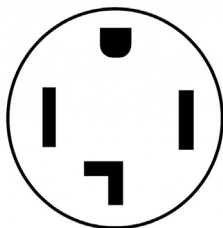
## Operation Instructions

REVIEW AND UNDERSTAND ALL WARNINGS IN THIS MANUAL. THEY ARE ESSENTIAL FOR SAFE USE OF THE HEATER.

FOLLOW ALL LOCAL CODES.

This heater is for use on 240 volts.

The cord has a plug as show in the figure below.



The type of outlet is a 240-volt grounding outlet. When properly installed, it provides a ground connection through the cord to the heater to protect the operator from electric shock.

### TO START HEATING:

1. Place the heater on a stable and level surface.

Make sure that no explosive or combustible fumes or dust are present

MINIMUM CLEARANCES FROM COMBUSTABLE MATERIALS	
OUTLET = 6 feet	SIDES = 1 foot
TOP = 2 feet	REAR = 2 feet
FLOOR = COMBUSTABLE	

2. Connect power cord of heater into 240 V / 60 Hz power source. See paragraph "Specifications" in this manual for correct amperage rating
3. Turn the toggle switch into position "on" and the fan starts
4. Set the room thermostat from "heat off" position to a temperature above the ambient room temperature by turning the knob. Note! The heater will start heating only if the thermostat "calls for heat" meaning that it is set to higher than prevailing ambient temperature
5. The heater will now operate automatically, controlled by the thermostats

### TO STOP HEATING

1. Turn the room thermostat into position "0"
2. Let the fan cooldown heater for 2-3 minutes
3. Turn the toggle switch into position "off"
4. Disconnect the power supply plug

### NOTE!

**THE HEATER IS EQUIPPED WITH AN OVERHEAT LIMIT SWITCH WHICH MAY CAUSE THE HEATER TO STOP. CHECK AND REMOVE THE CAUSE FOR OVERHEATING BEFORE RESTARTING.**

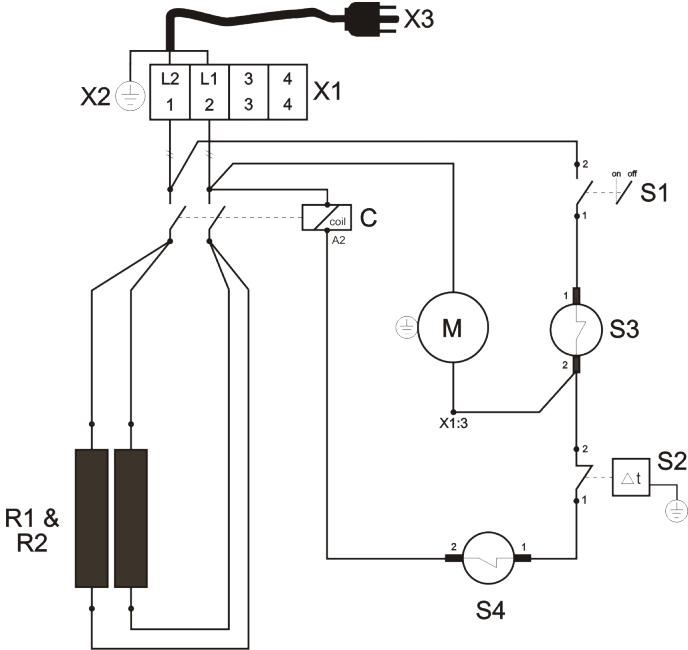
## Maintenance

### **⚠ WARNING**

- NEVER SERVICE THE HEATER WHILE IT IS PLUGGED IN, RUNNING OR HOT. SEVERE BODILY INJURY OR ELECTRIC SHOCK MAY OCCUR.
- ONLY QUALIFIED PERSONS ARE ALLOWED TO OPEN HEATER FOR SERVICE. NO USER-SERVICEABLE PARTS INSIDE.

- Keep heater clean. Use pressurized air to blow fan blades clean. Note! Use moderate pressure to avoid damage to fan blades
- Inspect heater before and after each use
- The fan motor is sealed and has permanently lubricated bearings

## Wiring Diagram



C	Contactor
M	Fan Motor
R1/R2	Heating Element
S1	Toggle Switch
S2	Ambient Thermostat

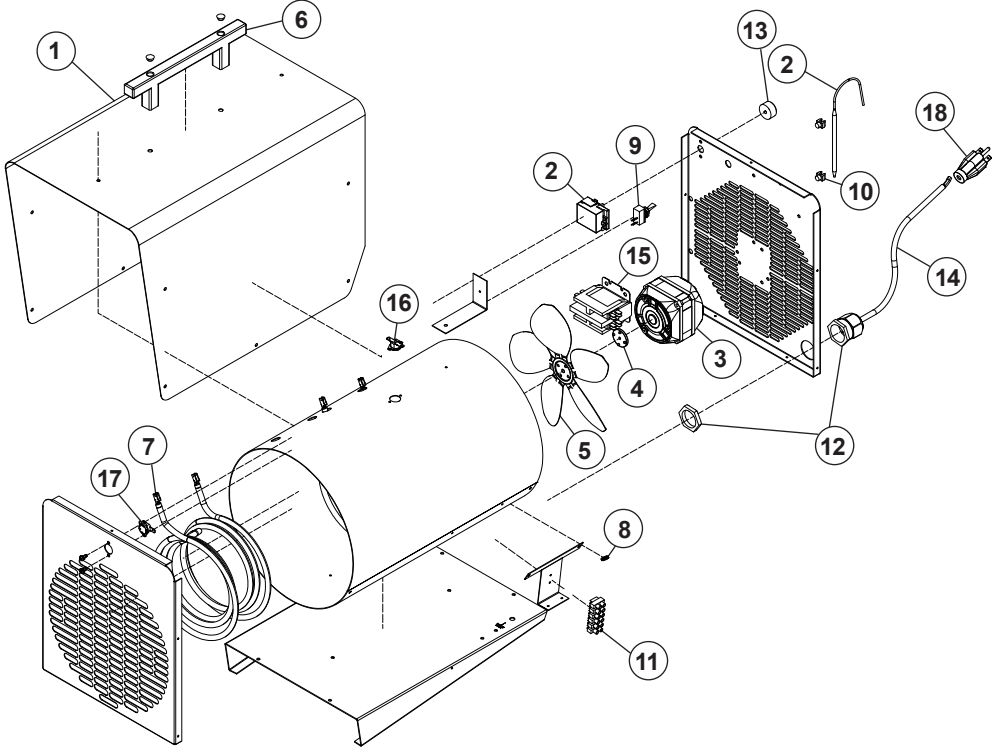
S3	Overheat Limit Switch (70°C)
S4	Overheat Limit Switch (50°C)
X1	Terminal Block
X2	Grounding Lug
X3	Power Cord & Plug

## Storage Instructions

When not in use, the heater must be disconnected from power source, cleaned of dust and stored in a dry place.

The power supply cord should be loosely wound around the handle of the heater.

## Service Parts Identification Schematic - Volt™ 6



## Parts List - Volt™ 6

Item	Description	Part #	Item	Description	Part #
1	Outer Cover (White)	474375	10	Plastic Bracket for Thermostat	474358
1	Outer Cover (Green)	474375G	11	Terminal Block	474352
2	Ambient Thermostat	474333	12	Strain Reliever	474357
3	Fan Motor	474324	13	Knob for Thermostat	474335
4	Fan Hub, Plastic	474332	14	Power Cord	474345
5	Fan Blade	474328	15	Contactora	474341
6	Handle	474366	16	Overheat Limit Switch, 158°F (70°C)	474377
7	Heating Element	474362	17	Overheat Limit Switch, 122°F (50°C)	474378
8	Guard Ring/Wire Bushing	474354	18	Plug	474348
9	Toggle Switch SPST	474343		Grounding Lug (not shown)	474347

# Warranty Policy

## HEATER (LIMITED WARRANTY)

L.B. White electric fan heater products are professional construction heaters. They are warranted for twelve (12) months from original date of purchase. The warranty does not cover products modified outside our factory, damage or failure caused by acts of God, abuse, misuse, use on other than rated voltage, abnormal usage, faulty or improper installation, failure to provide recommended maintenance or any repairs other than those provided by an authorized L.B. White service center.

THERE ARE NO OBLIGATIONS OR LIABILITIES ON THE PART OF L.B. WHITE COMPANY, LLC FOR CONSEQUENTIAL DAMAGES ARISING OUT OF OR IN CONNECTION WITH THE USE OR PERFORMANCE OF THE PRODUCT OR OTHER INDIRECT DAMAGES WITH RESPECT TO LOSS OF PROPERTY, REVENUES, OR PROFIT, OR COST OF REMOVAL, INSTALLATION OR REINSTALLATION.

THIS WARRANTY CONSTITUTES THE EXCLUSIVE REMEDY OF ANY PURCHASER OF EQUIPMENT SOLD BY THE MANUFACTURER AND ITS DEALERS AND DISTRIBUTORS AND IS IN LIEU OF ALL OTHER WARRANTIES, EXPRESS OR IMPLIED.

During the warranty period, L.B. White will, at its sole option, repair or replace any defective parts or products returned, freight prepaid, to L.B. White or such other location as L.B. White may designate.

Returned products must be packaged carefully, and L.B. White shall not be responsible for damage in transit. When returning parts, the owner must provide the model number of the product and the nature of difficulty being experienced. This warranty does not oblige L.B. White to bear the cost of labour in replacing any assembly, unit or component or part thereof, nor does the company assume any liability for secondary charges, expenses of removal or installing, freight or damages. There will be charges rendered for product repair after our warranty period has expired. Proof of purchase, including date, must accompany request for in-warranty service.

## PARTS

L.B. White Company, LLC warrants that replacement parts purchased from the company and used on the appropriate L. B. White equipment are free from defects both in material and workmanship for 12 months from the date of purchase by the end user. Warranty is automatic if a component is found defective within 12 months of the date code marked on the part. If the defect occurs more than 12 months later than the date code but within 12 months from the date of purchase by the end user, a copy of a bill of sale will be required to establish warranty qualification.

The warranty set forth above is the exclusive warranty provided by L.B. White, and all other warranties, including any implied warranties or merchantability or fitness for a particular purpose, are expressly disclaimed. In the event any implied warranty is not hereby effectively disclaimed due to operation of law, such implied warranty is limited in duration to the duration of the applicable warranty stated above. The remedies set forth above are the sole and exclusive remedies available hereunder. L.B. White will not be liable for any incidental or consequential damages directly or indirectly related to the sale, handling or use of the equipment, and in any event L.B. White's liability in connection with the equipment, including for claims based on negligence or strict liability, is limited to the purchase price.

Some states do not allow limitations on how long an implied warranty lasts, so the above limitation may not apply to you. Some states do not allow the exclusion or limitation of incidental or consequential damages, so the above limitation or exclusion may not apply to you. This warranty gives you specific legal rights, and you may also have other rights which vary from state to state.

To register your product and ensure full warranty, go to <https://www.lbwhite.com/customer-care-center/registration-info>. Please have the serial number(s) and model(s) handy for the products you are registering.

## Service

Contact your local L.B. White dealer for replacement parts and service. You may also call the L.B. White Company, LLC at 1-800-345-7200, for assistance, or email us at [customerservice@lbwhite.com](mailto:customerservice@lbwhite.com).

Be sure that you have your heater model number when calling.



## WORLD PROVIDER - INNOVATIVE HEATING SOLUTIONS

411 Mason Street, Onalaska, WI 54650

800-345-7200 • 608-783-5691

608-783-6115 (fax)

[techsupport@lbwhite.com](mailto:techsupport@lbwhite.com)

[www.lbwhite.com](http://www.lbwhite.com)

150-133390 REV.A





**Volt™ 6**  
Calefactor eléctrico con ventilador

**CE6.0**

**6 kW**

Vea este manual en línea en [www.lbwhite.com](http://www.lbwhite.com)

## Atención

Lea y comprenda este manual antes del montaje, la puesta en marcha o el mantenimiento del calefactor. El uso indebido del calefactor puede causar lesiones graves. Conserve este manual para referencia futura.

SOLO PARA USO PROFESIONAL

[www.lbwhite.com](http://www.lbwhite.com)



## ¡Enhorabuena!

Ha adquirido el mejor Calefactor eléctrico con ventilador disponible. Su nuevo calefactor de L.B. White incorpora las ventajas del fabricante más experimentado de productos de calefacción que usa tecnología de punta.

L.B. White le agradece su confianza en nuestros productos y cualquier sugerencia o comentario que pueda tener... póngase en contacto con nosotros al 1-800-345-7200, o envíenos un correo electrónico a [customerservice@lbwhite.com](mailto:customerservice@lbwhite.com).



### ESCANEE ESTO

con su teléfono inteligente o visite <https://bit.ly/3qjEEkw> para ver los videos de mantenimiento de los calefactores L.B.White.

*\* Requiere una aplicación como QR Droid para Android o para iPhone*

**PROVEEDOR MUNDIAL - SOLUCIONES INNOVADORAS DE CALEFACCIÓN**

411 Mason Street, Onalaska, WI 54650 • 800-345-7200 • 608-783-5691 • 608-783-6115 (fax) • [www.lbwhite.com](http://www.lbwhite.com)

## ÍNDICE DE CONTENIDOS

Especificaciones.....	4
Información general.....	5
Instrucciones de uso.....	5
Instrucciones de mantenimiento.....	6
Instrucciones de almacenamiento.....	6
Diagrama de cableado.....	6
Identificación de las piezas de repuesto.....	7
Política de garantía.....	8



## INSTRUCCIONES IMPORTANTES

### LEA TODAS LAS INSTRUCCIONES ANTES DE UTILIZAR ESTE CALEFACTOR

- ESTE CALEFACTOR ESTÁ CALIENTE CUANDO SE LO USA. PARA EVITAR QUEMADURAS, NO PERMITA QUE LA PIEL DESNUDA TOQUE LAS SUPERFICIES CALIENTES. UTILICE EL ASA CUANDO MUEVA ESTE CALEFACTOR. MANTENGA LOS MATERIALES COMBUSTIBLES A UNA DISTANCIA MÍNIMA DE 6 PIES (2 METROS) DE LA PARTE DELANTERA DEL CALEFACTOR Y MANTÉNGALOS ALEJADOS DE LOS LATERALES Y LA PARTE TRASERA
- ES NECESARIO EXTREMAR LAS PRECAUCIONES CUANDO SE UTILICE EL CALEFACTOR CERCA DE NIÑOS O PERSONAS DISCAPACITADAS, SIEMPRE QUE SE DEJE EL CALEFACTOR DESATENDIDO
- DESENCHUFE SIEMPRE EL CALEFACTOR CUANDO NO LO UTILICE
- NO HAGA FUNCIONAR NINGÚN CALEFACTOR CON UN CABLE O ENCHUFE DAÑADO O DESPUÉS DE UNA FALLA, O DESPUÉS DE QUE EL CALEFACTOR SE HAYA CAÍDO O DAÑADO DE ALGUNA MANERA. DEVUELVA EL CALEFACTOR A UN SERVICIO TÉCNICO AUTORIZADO PARA QUE LO REVISEN, LO AJUSTEN ELÉCTRICA O MECÁNICAMENTE O LO REPAREN
- NO UTILIZAR EN EL EXTERIOR
- ESTE CALEFACTOR NO ESTÁ DISEÑADO PARA SER UTILIZADO EN BAÑOS, LAVADEROS Y LUGARES INTERIORES SIMILARES. NUNCA UBIQUE EL CALEFACTOR DONDE PUEDA CAER EN UNA BAÑERA U OTRO RECIPIENTE CON LÍQUIDO
- NO PASE EL CABLE POR DEBAJO DE LA ALFOMBRA. NO CUBRA EL CABLE CON ALFOMBRAS, TAPETES O SIMILARES. COLOQUE EL CABLE LEJOS DEL ÁREA DE TRÁFICO Y DONDE NO SE PUEDA TROPEZAR CON ÉL
- PARA DESCONECTAR EL CALEFACTOR, APÁGUELO Y DESENCHUFE EL CABLE DE LA TOMA DE CORRIENTE
- CONÉCTELO SOLO A TOMACORRIENTES CON CONEXIÓN A TIERRA
- NO INTRODUZCA NI PERMITA QUE SE INTRODUZCAN OBJETOS EXTRAÑOS EN NINGUNA ABERTURA DE ENTRADA O SALIDA, YA QUE ESTO PUEDE CAUSAR UNA DESCARGA ELÉCTRICA O UN INCENDIO, O DAÑAR EL CALEFACTOR
- PARA EVITAR UN POSIBLE INCENDIO, NO BLOQUEE DE NINGUNA MANERA LAS ENTRADAS O SALIDAS DE AIRE. NO LO UTILICE EN SUPERFICIES BLANDAS, DONDE LAS ABERTURAS SE PUEDAN BLOQUEAR
- UN CALEFACTOR TIENE EN SU INTERIOR PIEZAS CALIENTES Y QUE PRODUCEN ARCOS O CHISPAS. NO LO UTILICE EN ZONAS DONDE SE USE O ALMACENE GASOLINA, PINTURA O LÍQUIDOS INFLAMABLES
- NO LO APUNTE A MATERIALES INFLAMABLES
- UTILICE EL CALEFACTOR SOLO COMO SE DESCRIBE EN ESTE MANUAL. CUALQUIER OTRO USO NO RECOMENDADO POR EL FABRICANTE PUEDE PROVOCAR UN INCENDIO, UNA DESCARGA ELÉCTRICA O LESIONES A LAS PERSONAS
- ENCHUFE SIEMPRE LOS CALEFACTORES DIRECTAMENTE EN UNA TOMA DE CORRIENTE/ RECEPTÁCULO DE PARED. NO LOS UTILICE NUNCA CON UN CABLE DE EXTENSIÓN O CON UNA TOMA DE CORRIENTE MÓVIL (ENCHUFE/REGLETA)
- LEA ESTE MANUAL DEL USUARIO ANTES DE INSTALAR O UTILIZAR ESTE PRODUCTO.
- SOLO LAS PERSONAS QUE PUEDAN LEER, ENTENDER Y SEGUIR LAS INSTRUCCIONES DEBEN UTILIZAR O REPARAR ESTE CALEFACTOR.
- GUARDE ESTE MANUAL DEL USUARIO PARA USO Y REFERENCIA FUTUROS.
- PARA OBTENER ASISTENCIA, CONSULTE EL SITIO WEB O CONTACTE A L.B. WHITE AL 1-800-345-7200.



### ADVERTENCIA

Cáncer y daños reproductivos.  
Consulte [www.P65Warnings.ca.gov](http://www.P65Warnings.ca.gov).

## Especificaciones

Volt™ 6	
Potencia (kW)	6
Potencia máxima por hora en (BTU/H)	20,500
Caudal de aire (CFM)	250
Conexión eléctrica (VCA/Hz/fase)	240/60/1
Amperaje (A)	25
Cable de alimentación	3x8 AWG
Enchufe	NEMA 14-30P
Rango de temperatura del termostato de ambiente	32-100° F (0-40° C)
Longitud (pulgadas)	19,5
Ancho (pulgadas)	11,8
Altura (pulgadas)	17,3
Peso (libras)	32,9

## Información general

Los calefactores eléctricos Volt están diseñados para uso profesional.

El calor se genera en elementos calefactores sellados dentro del cilindro interior del calefactor. Un ventilador accionado por un motor eléctrico distribuye el aire caliente a través del calefactor.

Aunque el ventilador los refrigera eficazmente, los elementos calefactores tienen temperaturas superficiales elevadas. Por ello, se debe mantener los materiales combustibles a una distancia segura del calefactor y se debe tener cuidado de que no entren partículas combustibles en el calefactor con el aire aspirado por el ventilador.

Mantenga el calefactor libre de polvo en todo momento. El polvo puede provocar un incendio cuando se calienta. Asegúrese de que las aspas del ventilador puedan girar sin obstáculos en todo momento. No bloquee las entradas o salidas de aire de ninguna manera.

Contacte a su distribuidor local de L.B. White o a L.B. White Co., LLC para obtener asistencia, o si tiene alguna pregunta sobre el uso del calefactor o su aplicación.

L.B. White Co., LLC tiene una política de mejora continua de los productos. Se reserva el derecho de cambiar las especificaciones y su diseño sin previo aviso.

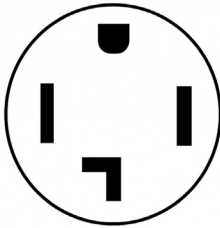
## Instrucciones de uso

REVISE Y ENTIENDA TODAS LAS ADVERTENCIAS EN ESTE MANUAL. SON ESENCIALES PARA EL USO SEGURO DEL CALEFACTOR.

SIGA TODOS LOS CÓDIGOS LOCALES.

Este calefactor se debe usar con 240 voltios.

El cable de alimentación tiene un enchufe como el que se muestra a continuación.



El tipo de toma es uno con puesta a tierra de 240 voltios. Cuando se lo instala correctamente, proporciona una conexión a tierra a través del cable de alimentación al calefactor para proteger al operador de las descargas eléctricas.

### ENCENDIDO DEL CALEFACTOR:

1. Asegúrese de que el calefactor esté en una superficie estable y nivelada. Asegúrese de que no haya polvo o gases explosivos o combustibles

DISTANCIAS MÍNIMAS DE LOS MATERIALES COMBUSTIBLES	
SALIDA = 6 pies	LATERALES = 1 pie
ARRIBA = 2 pies	ATRÁS = 2 pies
PISO = COMBUSTIBLE	

2. Conecte el cable de alimentación del calefactor a una fuente de alimentación de 240 V/60 Hz. Consulte el párrafo "Especificaciones" de este manual para conocer el amperaje nominal
3. Coloque el interruptor de palanca en la posición "on" y el ventilador se pone en marcha
4. Ajuste el termostato de ambiente desde la posición de "heat off (calor apagado)" a una temperatura superior a la temperatura ambiente de la habitación al girar la perilla. ¡Nota! El calefactor comenzará a calentar solo si el termostato "pide calor", es decir, si está ajustado para una temperatura superior a la temperatura actual
5. El calefactor funcionará automáticamente, controlado por los termostatos

### APAGADO DE LA CALEFACCIÓN

1. Coloque el termostato de ambiente en la posición "0"
2. Permita que el ventilador enfríe el calefactor por 2-3 minutos
3. Coloque el interruptor de palanca en la posición "off"
4. Desconecte el enchufe del cable de alimentación

### ¡NOTA!

**EL CALEFACTOR ESTÁ EQUIPADO CON UN INTERRUPTOR DE LÍMITE DE SOBRECALENTAMIENTO QUE PUEDE HACER APAGAR EL CALEFACTOR. COMPRUEBE Y ELIMINE LA CAUSA DEL SOBRECALENTAMIENTO ANTES DE VOLVER A ENCENDER.**

## Mantenimiento

### **⚠️ ADVERTENCIA**

- NUNCA HAGA EL MANTENIMIENTO DEL CALEFACTOR MIENTRAS ESTÉ ENCHUFADO, EN FUNCIONAMIENTO O CALIENTE. SE PUEDEN PRODUCIR LESIONES CORPORALES GRAVES O DESCARGAS ELÉCTRICAS.
- SOLO SE PERMITE QUE PERSONAS CALIFICADAS ABRIAN EL CALEFACTOR PARA SU MANTENIMIENTO. NO HAY PIEZAS REPARABLES POR EL USUARIO EN EL INTERIOR.

- Mantenga el calefactor limpio. Utilice aire a presión para limpiar las aspas del ventilador. ¡Nota! Utilice una presión moderada para evitar daños en las aspas del ventilador

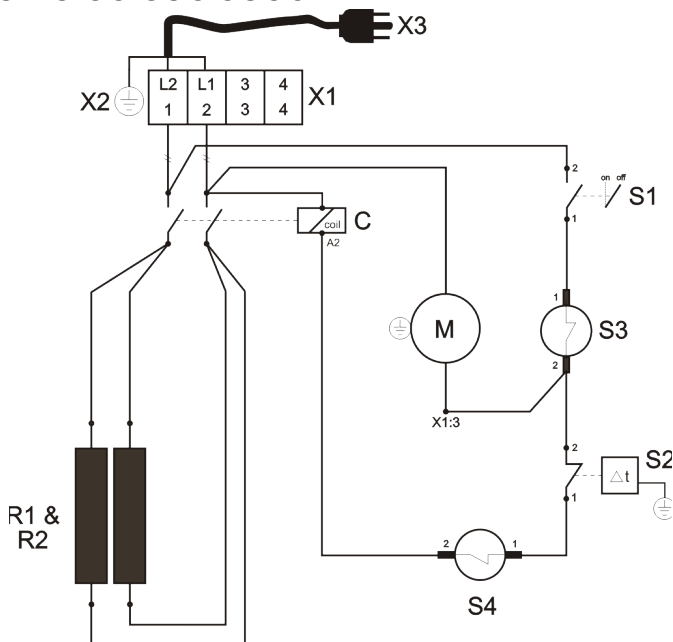
- Inspeccione el calefactor antes y después de cada uso
- El motor del ventilador está sellado y tiene cojinetes lubricados permanentemente

## Instrucciones de almacenamiento

Cuando no se utilice el calefactor, se lo debe desconectar de la fuente de alimentación, limpiar el polvo y guardarlo en un lugar seco.

Se debe enrollar el cable de alimentación sin apretar alrededor del mango del calefactor.

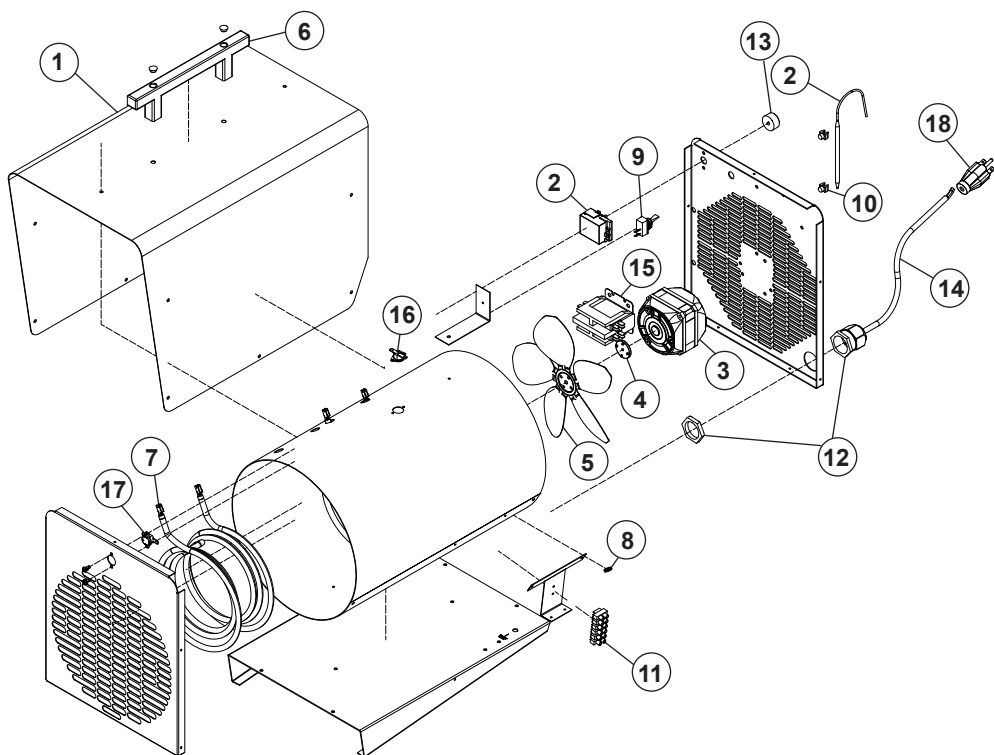
## Diagrama de cableado



C	Contactor
M	Motor del ventilador
R1/R2	Elemento calefactor
S1	Interruptor de palanca
S2	Termostato de ambiente
S3	Interruptor de límite de sobrecalentamiento (70 °C)

S4	Interruptor de límite de sobrecalentamiento (50 °C)
X1	Bloque de terminales
X2	Terminal de tierra
X3	Cable y enchufe de alimentación

## Esquema de identificación de piezas de repuesto - Volt™ 6



### Lista de pieza - Volt™ 6

Artículo	Descripción	N.º de pieza	Artículo	Descripción	N.º de pieza
1	Cubierta exterior (blanca)	474375	10	Soporte plástico del termostato	474358
1	Cubierta exterior (verde)	474375G	11	Bloque de terminales	474352
2	Termostato de ambiente	474333	12	Aliviador de tensión	474357
3	Motor del ventilador	474324	13	Perilla del termostato	474335
4	Cubo del ventilador	474332	14	Cable de alimentación	474345
5	Aspa del ventilador	474328	15	Contactador	474341
6	Asa	474366	16	Interruptor de límite de sobrecalentamiento 158 °F (70 °C)	474377
7	Elemento calefactor	474362	17	Interruptor de límite de sobrecalentamiento 122 °F (50 °C)	474378
8	Anillo de protección/buje de alambre	474354	18	Enchufe	474348
9	Interruptor de palanca SPST	474343		Terminal de tierra (no se muestra)	474347

# Política de garantía

## **CALEFACTOR (GARANTÍA LIMITADA)**

Los productos de calefacción eléctrica con ventiladores de L.B. White son calefactores de uso profesional para la construcción. Están garantizados por doce (12) meses a partir de la fecha original de compra. La garantía no cubre los productos modificados fuera de nuestra fábrica, los daños o fallas causadas por casos fortuitos, el abuso, el mal uso, la utilización con una tensión distinta a la nominal, el uso anormal, la instalación defectuosa o inadecuada, la falta de mantenimiento recomendado o cualquier otra reparación distinta a la realizada por un servicio técnico autorizado de L.B. White.

**NO HAY OBLIGACIONES NI RESPONSABILIDADES POR PARTE DE L.B. WHITE COMPANY, LLC POR DAÑOS EMERGENTES QUE SURJAN O ESTÉN RELACIONADOS CON EL USO O RENDIMIENTO DEL PRODUCTO U OTROS DAÑOS INDIRECTOS CON RESPECTO A LA PÉRDIDA DE PROPIEDAD, INGRESOS O BENEFICIOS, O EL COSTO DE RETIRADA, INSTALACIÓN O REINSTALACIÓN.**

ESTA GARANTÍA CONSTITUYE EL RECURSO EXCLUSIVO DE CUALQUIER COMPRADOR DE EQUIPOS VENDIDOS POR EL FABRICANTE Y SUS CONCESIONARIOS Y DISTRIBUIDORES Y SUSTITUYE A CUALQUIER OTRA GARANTÍA, EXPRESA O IMPLÍCITA.

Durante el periodo de garantía, L.B. White reparará o sustituirá, a su entera discreción, cualquier pieza o producto defectuoso devuelto, con fletes pagados, a L.B. White o a cualquier otro lugar que L.B. White pueda designar.

Los productos devueltos deben ser empaquetados cuidadosamente, y L.B. White no se hará responsable de los daños en tránsito. Al devolver las piezas, el propietario debe proporcionar el número de modelo del producto y la naturaleza de la dificultad que está experimentando. Esta garantía no obliga a L.B. White a hacerse cargo del costo de la mano de obra en la sustitución de cualquier conjunto, unidad o componente o parte del mismo, ni asume ninguna responsabilidad por cargos secundarios, gastos de traslado o instalación, flete o daños. Se cobrará por la reparación del producto una vez que haya vencido el periodo de garantía. La prueba de compra, incluida la fecha, debe acompañar a la solicitud de servicio en garantía.

## **PIEZAS DE REPUESTO**

L.B. White Company, LLC garantiza que las piezas de repuesto compradas a la empresa y utilizadas en el equipo L.B. White correspondiente están libres de defectos tanto en el material como de la mano de obra durante 12 meses a partir de la fecha de compra por parte del usuario final. La garantía es automática si un componente se encuentra defectuoso dentro de los 12 meses siguientes al código de fecha marcado en la pieza. Si el defecto se produce luego de los 12 meses de dicho código de fecha pero dentro de los 12 meses siguientes a la fecha de compra por parte del usuario final, se requerirá una copia de la factura de venta para establecer la calificación de la garantía.

La garantía expuesta anteriormente es la única garantía proporcionada por L.B. White, y se rechaza expresamente cualquier otra garantía, lo que incluye cualquier garantía implícita de comerciabilidad o idoneidad para un fin determinado. En el caso de que cualquier garantía implícita no sea por la presente efectivamente rechazada por ministerio de la ley, dicha garantía implícita está limitada en duración a la duración de la garantía aplicable indicada anteriormente. Los recursos establecidos anteriormente son los únicos recursos disponibles en el presente documento. L.B. White no será responsable de ningún daño incidental o consecuente relacionado directa o indirectamente con la venta, manipulación o uso del equipo, y en cualquier caso la responsabilidad de L.B. White en cuanto al equipo se limita al precio de compra, lo que incluye las reclamaciones por negligencia o responsabilidad objetiva.

Algunos estados no permiten limitar la duración de una garantía implícita, por lo que es posible que la limitación anterior no se aplique a su caso. Algunos estados no permiten la exclusión o limitación de daños incidentales o emergentes, por lo que es posible que la limitación o exclusión no se aplique a su caso. Esta garantía le otorga derechos legales específicos, y también puede tener otros derechos que varían de un estado a otro.

Para registrar su producto y asegurar la garantía completa, visite: <https://www.lbwhite.com/customer-care-center/registration-info>. Tenga a mano los números de serie y los modelos de los productos que va a registrar.

## Mantenimiento

Contacte a su distribuidor local de L.B. White para obtener piezas de repuesto y servicio técnico. También puede llamar a L.B. White Company, LLC al 1-800-345-7200, para recibir asistencia o nos puede escribir un correo electrónico a [customerservice@lbwhite.com](mailto:customerservice@lbwhite.com).

Asegúrese de tener el número de modelo de su calentador cuando llame.



## **PROVEEDOR MUNDIAL - SOLUCIONES INNOVADORAS DE CALEFACCIÓN**

411 Mason Street, Onalaska, WI 54650

800-345-7200 • 608-783-5691

608-783-6115 (fax)

[techsupport@lbwhite.com](mailto:techsupport@lbwhite.com)

**[www.lbwhite.com](http://www.lbwhite.com)**