

INSTALLATION INSTRUCTIONS

FOREMAN 500 16 in. Duct Adapter

Kit: 30902



View these instructions online at www.lbwhite.com

! WARNING

Burn Hazard

- Heater surfaces are hot for a period of time after the heater has been shut down.
- Allow the heater to cool before performing service, maintenance, or cleaning.
- Failure to follow this warning will result in burns causing injury.

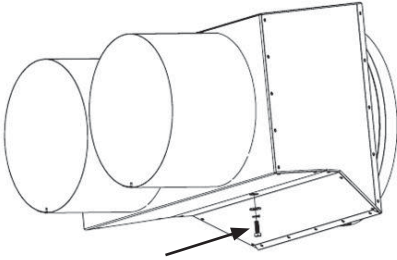
Kit Contents:

DESCRIPTION	QTY.
Instruction, Installation	1
Duct Adapter	1
Screw, Hex Head, 5/16-18 x 1 in.	1
Washer, Flat, 5/16	1
Washer, Split, Lock, 5/16	1

Installation:

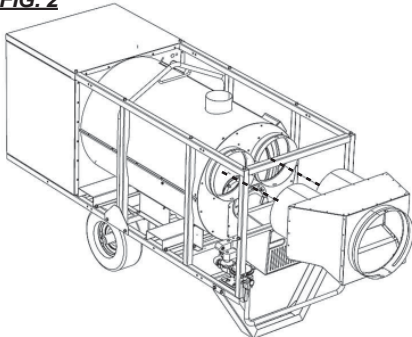
1. Remove screw and washers from duct adapter. Save screw and washers to be used later. See Fig. 1

FIG. 1



2. Attach the two round ducts of the duct adapter onto the heater discharge opening as shown in Fig. 2.

FIG. 2

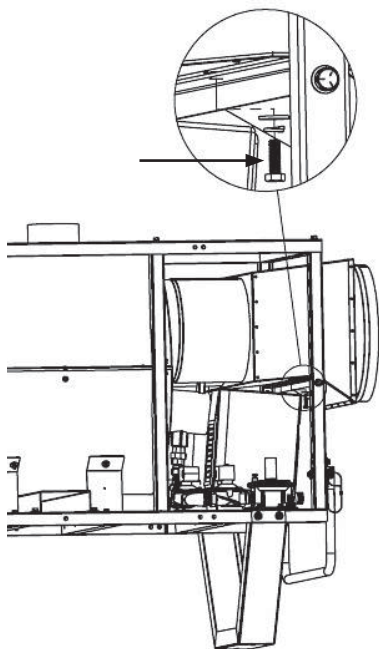


WORLD PROVIDER - INNOVATIVE HEATING SOLUTIONS

411 Mason Street, Onalaska, WI 54650 • 800-345-7200 • 608-783-5691 • 608-783-6115 (fax) • www.lbwhite.com

3. Align duct adapter hole with heater frame and use the screw and washer removed earlier to secure the duct adapter to heater frame. See Fig. 3.
4. Tighten screw to secure duct adapter to heater frame.

FIG. 3



Service

Contact your local L.B. White dealer for replacement parts and service. You may also call the L.B. White Co., Inc. at 1-800-345-7200, for assistance, or email us at customerservice@lbwhite.com.

Be sure that you have your heater model number and configuration number when calling.



**WORLD PROVIDER - INNOVATIVE
HEATING SOLUTIONS**

411 Mason Street, Onalaska, WI 54650

800-345-7200 • 608-783-5691

608-783-6115 (fax)

www.lbwhite.com