

INSTALLATION INSTRUCTIONS



Foreman Oil De-Aerator Kit 131261

View these instructions online at www.lbwhite.com

Kit Contents:

DESCRIPTION	QTY.
Instructions, installation	1
Oil De-Aerator	1
Bracket, mounting	1
Screws	4
Cap, 3/8" NPT	1
Hose, 3/8" x 15"	2
Fitting, hose	2
Nipple, 3/8" x 1-1/2", black	1
Fitting, elbow	1
Pipe thread compound	1

Tools required:

- Adjustable wrench
- 9/16 in. wrench
- 3/4 in. wrench
- Pipe wrench
- Nut driver

Qualifications for installation of the kit:

- You must be able to read and understand these instructions.
- You must be properly trained and have sufficient experience in servicing oil heaters and capable of testing the heater for proper operation.

General information:

- The following instructions are for installing an oil de-aerators onto the Foreman 500 Oil heater.
- When using an external fuel tank, the burner will draw fuel:
 - Up to 10 ft. rise if the tank is located below the heater, or
 - 100 ft. horizontal run if located on the same level.

Safety instructions:

- To prevent leaks, always apply a small amount of pipe thread compound on all connections.
- Tighten all connections securely.

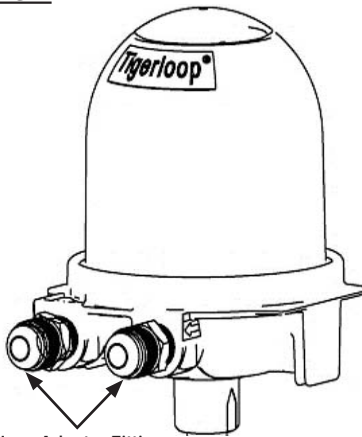
A. Initial Preparation:

1. Have a sufficiently large enough oil resistant container ready to catch any fuel expelled from the pump during removal of the hoses.
2. Close all fuel valves to the heater, if applicable, and disconnect the heater's electrical supply.

B. Pre-assemble fitting onto the Oil De-Aerator

- Attach the hose adapter fittings provided with the kit to the oil de-aerator. See Figure 1.

FIG. 1

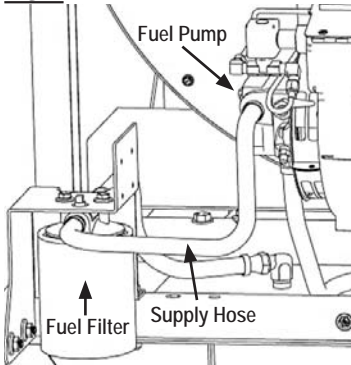


Hose Adapter Fitting

C. Installing the Oil De-Aerator

1. Remove the supply hose between the fuel filter and the pump. This hose may be discarded. See Figure 2.

FIG. 2



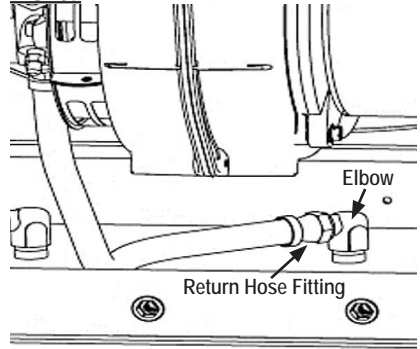
Fuel Pump

Fuel Filter

Supply Hose

2. Remove the return hose fitting at the elbow of the fuel tank. Remove and discard the elbow fitting. Cap off the threaded nipple remaining on the tank with the 3/8" cap provided with kit. See Figure 3a & 3b.

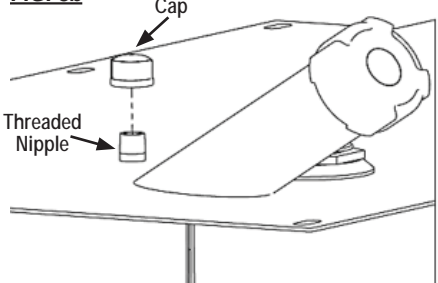
FIG. 3a



Elbow

Return Hose Fitting

FIG. 3b

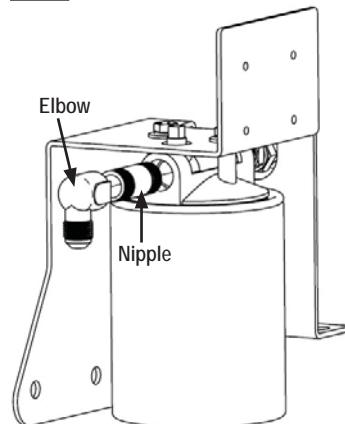


Cap

Threaded Nipple

3. Install the provided nipple and elbow to the outlet of the fuel filter. See Figure 4.

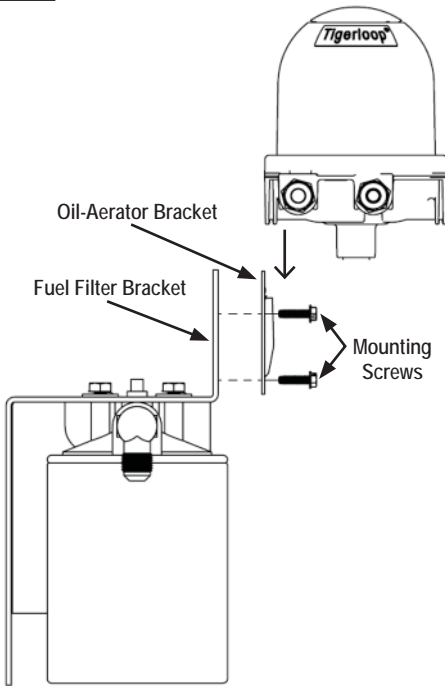
FIG. 4



Elbow

Nipple

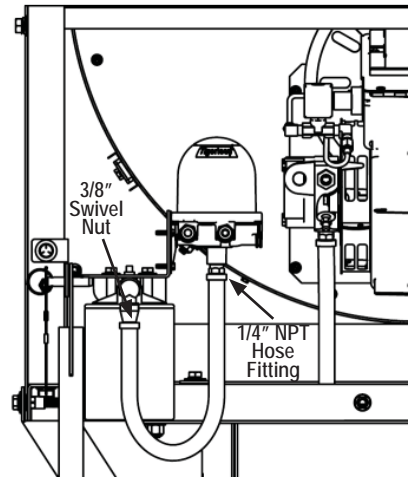
4. Attach the oil de-aerator bracket to the fuel filter bracket, as shown in Figure 5, using the mounting screws provided with kit.

FIG. 5

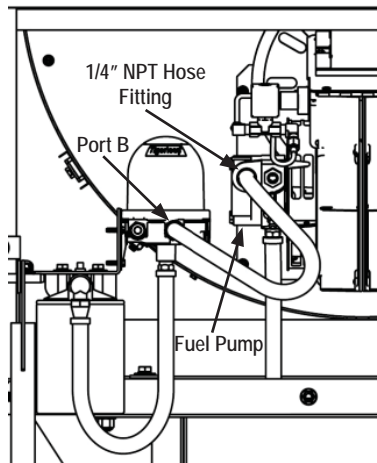
5. Insert the oil de-aerator onto the bracket as shown in Figure 5.

D. Hose Connection

1. Connect one of the hoses as follows:
- 1/4" NPT end to the bottom of the oil de-aerator.
 - Opposite 3/8" swivel nut to the elbow of the fuel filter. See Figure 6.

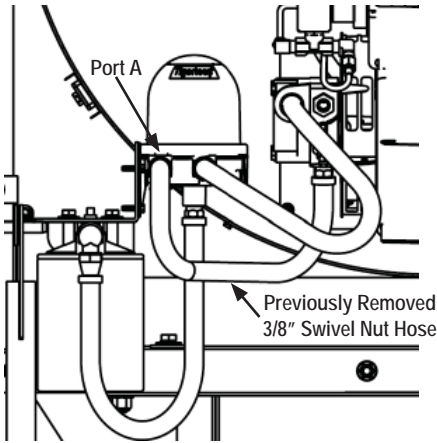
FIG. 6

2. Connect the remaining hose as follow:
- 1/4" NPT end to the fuel pump inlet.
 - Opposite 3/8" swivel nut to the oil de-aerator fitting port B. See Figure 7.

FIG. 7

3. Thread the previously removed 3/8" swivel nut from the fuel tank to the oil de-aerator fitting port A. See Figure 8.

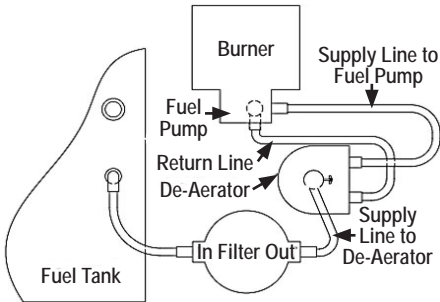
FIG. 8



E. Completion

1. Check hose connections to match diagram below.

FIG. 9



2. Check all connections for tightness.
3. Start heater and check all connections for leaks.

Service

Contact your local L.B. White dealer for replacement parts and service. You may also call the L.B. White Co., Inc. at 1-800-345-7200, for assistance, or email us at customerservice@lbwhite.com.

Be sure that you have your heater model number and configuration number when calling.



WORLD PROVIDER - INNOVATIVE HEATING SOLUTIONS

411 Mason Street, Onalaska, WI 54650
800-345-7200 • 608-783-5691
608-783-6115 (fax)

www.lbwhite.com